

AV RECEIVER/AV AMPLIFIER RX-V2400/RX-V2400RDS/DSP-AX2400 RX-V1400/RX-V1400RDS/HTR-5690/DSP-AX1400 SERVICE MANUAL

IMPORTANT NOTICE

This manual has been provided for the use of authorized YAMAHA Retailers and their service personnel. It has been assumed that basic service procedures inherent to the industry, and more specifically YAMAHA Products, are already known and understood by the users, and have therefore not been restated.

WARNING: Failure to follow appropriate service and safety procedures when servicing this product may result in personal injury, destruction of expensive components, and failure of the product to perform as specified. For these reasons, we advise all YAMAHA product owners that any service required should be performed by an authorized YAMAHA Retailer or the appointed service representative.

IMPORTANT: The presentation or sale of this manual to any individual or firm does not constitute authorization, certification or recognition of any applicable technical capabilities, or establish a principle-agent relationship of any form.

The data provided is believed to be accurate and applicable to the unit(s) indicated on the cover. The research, engineering, and service departments of YAMAHA are continually striving to improve YAMAHA products. Modifications are, therefore, inevitable and specifications are subject to change without notice or obligation to retrofit. Should any discrepancy appear to exist, please contact the distributor's Service Division.

WARNING: Static discharges can destroy expensive components. Discharge any static electricity your body may have accumulated by grounding yourself to the ground buss in the unit (heavy gauge black wires connect to this buss).

IMPORTANT: Turn the unit OFF during disassembly and part replacement. Recheck all work before you apply power to the unit.

■ CONTENTS

TO SERVICE PERSONNEL	2	AMP ADJUSTMENT / アンプ部調整	50~51
FRONT PANELS	3~5	DISPLAY DATA	52~53
REAR PANELS	6~12	IC DATA	54~63
REMOTE CONTROL	13	BLOCK DIAGRAM	64~65
SPECIFICATIONS	14~17	PRINTED CIRCUIT BOARD	66~85
INTERNAL VIEW	18	PIN CONNECTION DIAGRAM	86
DISASSEMBLY PROCEDURES / 分解手順	19~22	SCHEMATIC DIAGRAM	87~97
UPDATING FIRMWARE / ファームウェアの書き込み	23~24	PARTS LIST	99~141
SELF DIAGNOSIS FUNCTION (DIAG) / 自己診断機能 (ダイアグ)	25~49	REMOTE CONTROL	142~147
		Parts List for Carbon Resistors	148



このサービスマニュアルは、エコマーク認定の再生紙を使用しています。
This Service Manual uses recycled paper.



■ TO SERVICE PERSONNEL

1. Critical Components Information
Components having special characteristics are marked ⚠ and must be replaced with parts having specifications equal to those originally installed.
 2. Leakage Current Measurement (For 120V Models Only)
When service has been completed, it is imperative to verify that all exposed conductive surfaces are properly insulated from supply circuits.
- Meter impedance should be equivalent to 1500 ohm shunted by 0.15μF.



“CAUTION”

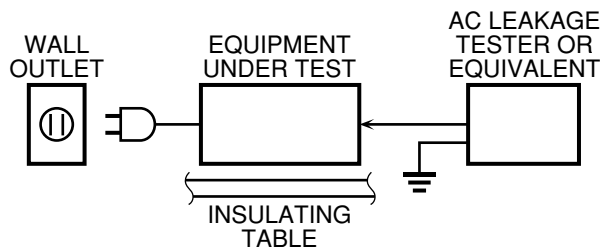
“F1, F2: FOR CONTINUED PROTECTION AGAINST RISK OF FIRE, REPLACE ONLY WITH SAME TYPE 10A, 125V FUSE.”

CAUTION

F1, F2: REPLACE WITH SAME TYPE 10A, 125V FUSE.

ATTENTION

F1, F2: UTILISER UN FUSIBLE DE RECHANGE DE MEME TYPE DE 10A, 125V.



- Leakage current must not exceed 0.5mA.
- Be sure to test for leakage with the AC plug in both polarities.

WARNING: CHEMICAL CONTENT NOTICE!

The solder used in the production of this product contains LEAD. In addition, other electrical/electronic and/or plastic (where applicable) components may also contain traces of chemicals found by the California Health and Welfare Agency (and possibly other entities) to cause cancer and/or birth defects or other reproductive harm.

DO NOT PLACE SOLDER, ELECTRICAL/ELECTRONIC OR PLASTIC COMPONENTS IN YOUR MOUTH FOR ANY REASON WHATSOEVER!

Avoid prolonged, unprotected contact between solder and your skin! When soldering, do not inhale solder fumes or expose eyes to solder/flux vapor!

If you come in contact with solder or components located inside the enclosure of this product, wash your hands before handling food.

About lead-free solder / 無鉛ハンダについて

The foil side of all P.C.B.s used for this product are soldered with lead-free soldering material which is an alloy of Sn+Ag+Cu (tin + silver + copper).

However, the surface mount devices on the component side of the DSP P.C.B., FUNCTION P.C.B. and CONVERSION P.C.B. are soldered with the lead solder.

Among some types of lead-free solder currently available, it is recommended to use one of the following types for the repair work.

- Sn + Ag + Cu (tin + silver + copper)
- Sn + Cu (tin + copper)
- Sn + Zn + Bi (tin + zinc + bismuth)

Caution:

1. As the melting point temperature of the lead-free solder is about 30°C to 40°C (50°F to 70°F) higher than that of the lead solder, be sure to use a soldering iron suitable to each solder.
2. If lead solder must be used, be sure to remove lead-free solder from each terminal section of the parts to be replaced and from the area around it completely before soldering, or make sure that the lead-free solder and lead solder melt together fully.

この製品に使用されているすべての基板のハンダ面のハンダ付けには、Sn+Ag+Cu(錫+銀+銅)の合金である無鉛ハンダが使用されています。

ただし、DSP P.C.B.、FUNCTION P.C.B.およびCONVERSION P.C.B.部品面の表面実装部品のハンダ付けには鉛入りハンダが使用されています。

無鉛ハンダにはいくつかの種類がありますが、修理時には下記のような無鉛ハンダの使用を推奨します。

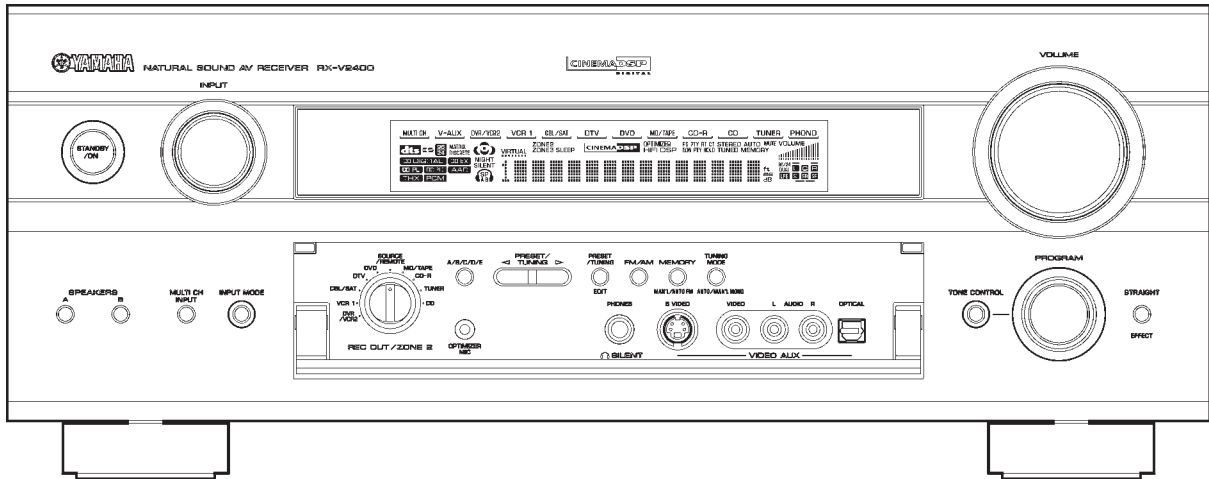
- Sn+Ag+Cu(錫+銀+銅)
- Sn+Cu(錫+銅)
- Sn+Zn+Bi(錫+亜鉛+ビスマス)

注意:

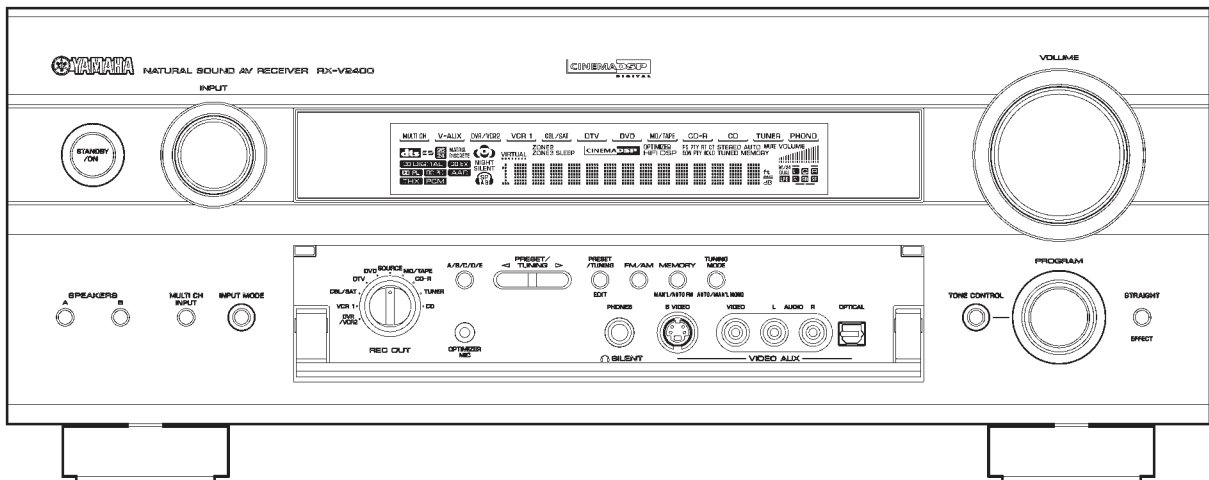
- ① 無鉛ハンダの融点温度は通常の鉛入りハンダに比べ30～40°C程度高くなっていますので、それぞれのハンダに合ったハンダごてをご使用ください。
- ② 鉛入りハンダを使わざるを得ない場合は、あらかじめ交換する部品端子部やその周辺部の無鉛ハンダをすべて取り除くか、あるいは無鉛ハンダと鉛入りハンダが十分に溶けた状態となるようにハンダ付けしてください。

FRONT PANELS

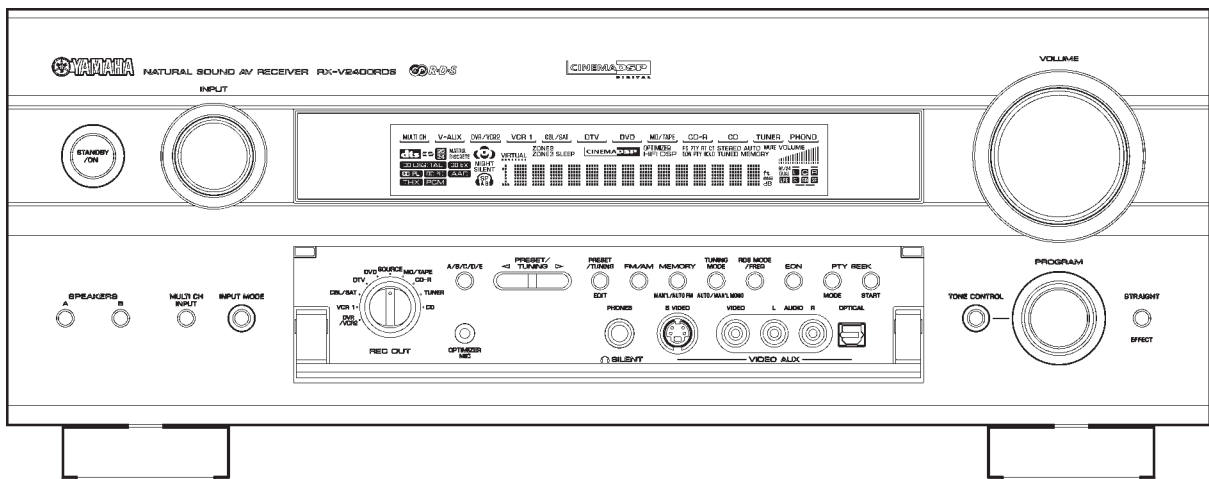
RX-V2400 (U, C, A models)



RX-V2400 (L, R, T, K models)

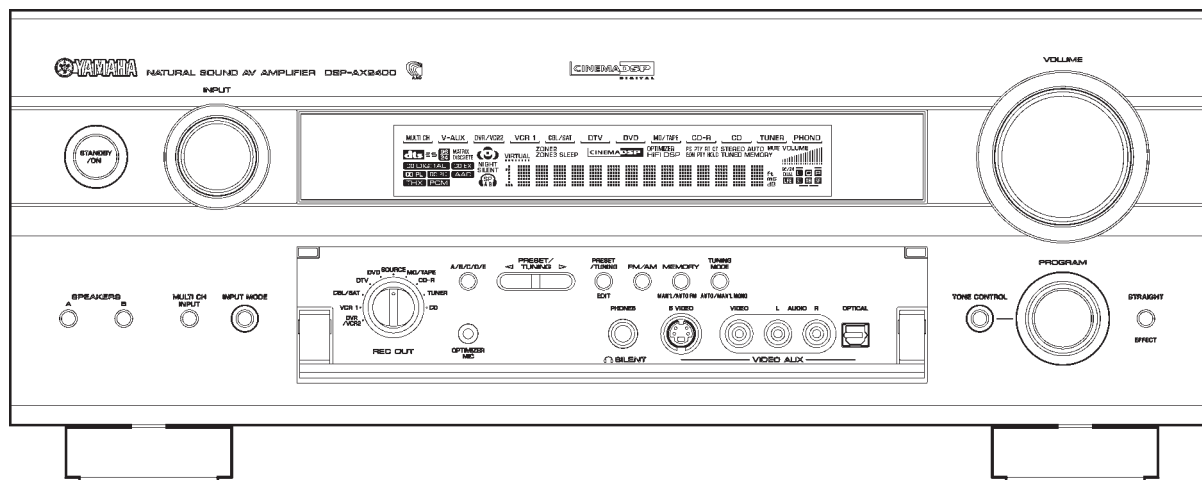


RX-V2400RDS (B, G models)

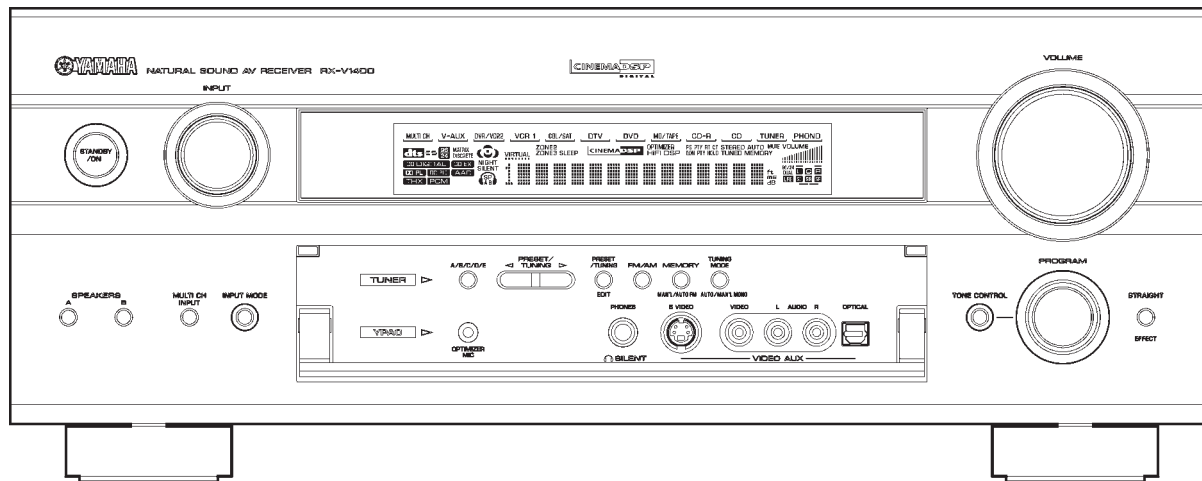


RX-V2400/RX-V2400RDS/DSP-AX2400
 RX-V1400/RX-V1400RDS/HTR-5690/DSP-AX1400

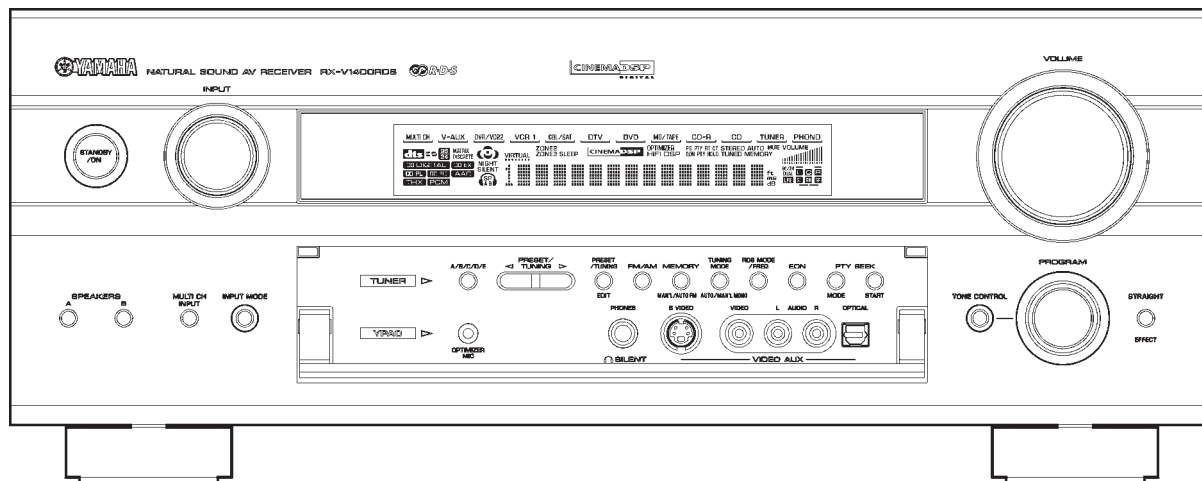
DSP-AX2400 (J model)



RX-V1400 (U, C, A, L, R, T, K models)

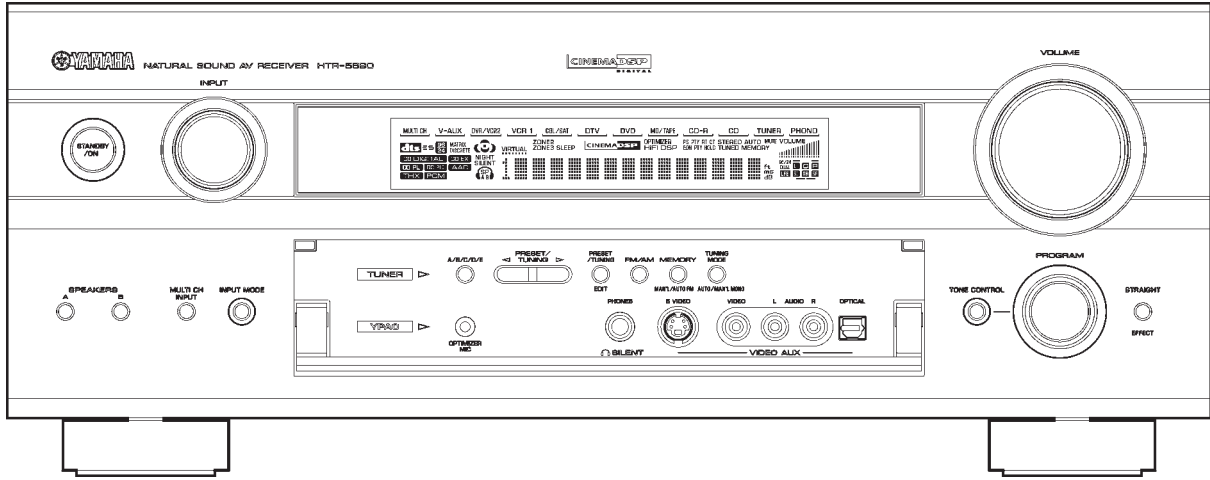


RX-V1400RDS (B, G models)

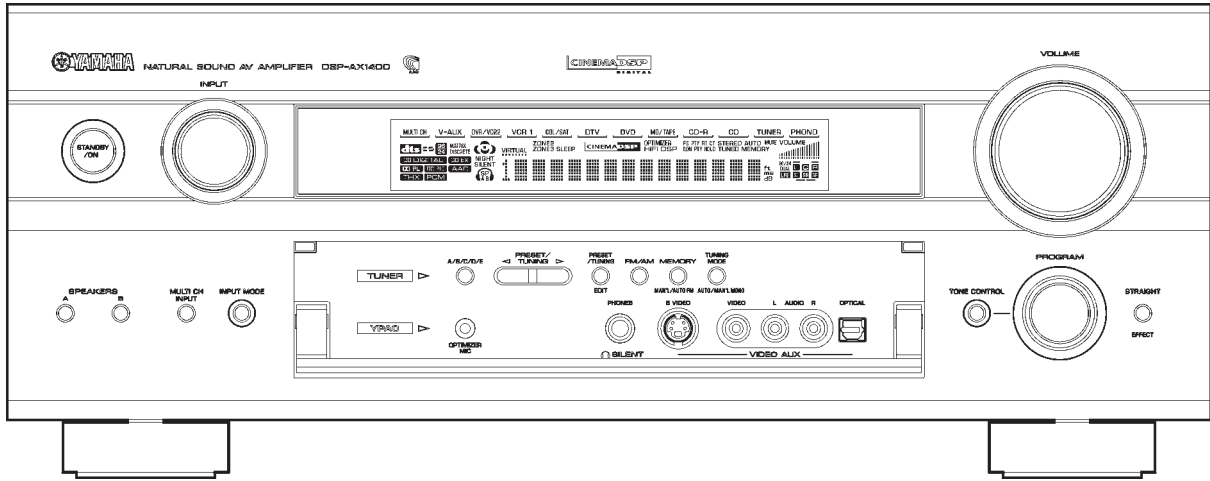


RX-V2400/RX-V2400RDS/DSP-AX2400
 RX-V1400/RX-V1400RDS/HTR-5690/DSP-AX1400

HTR-5690 (U, C, A, T models)

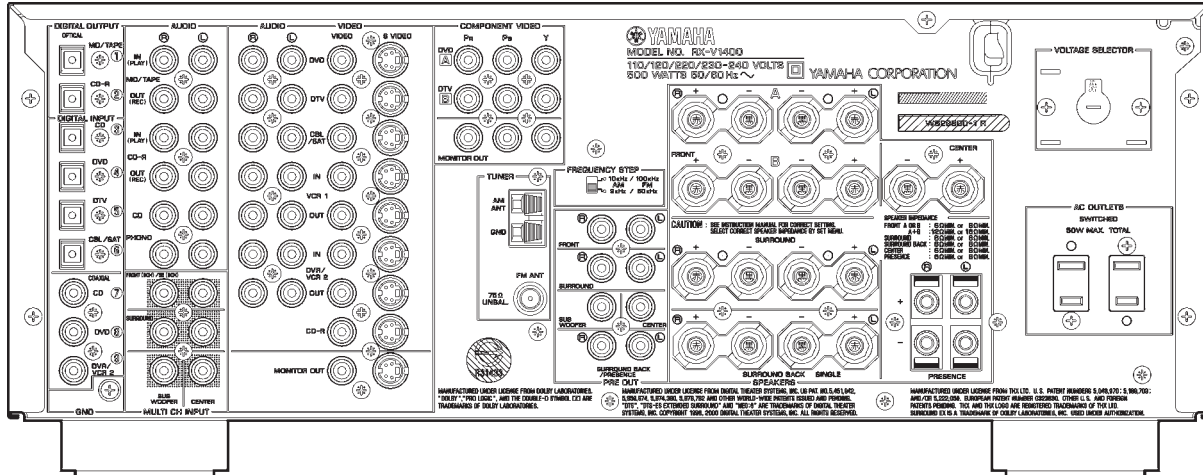


DSP-AX1400 (J model)

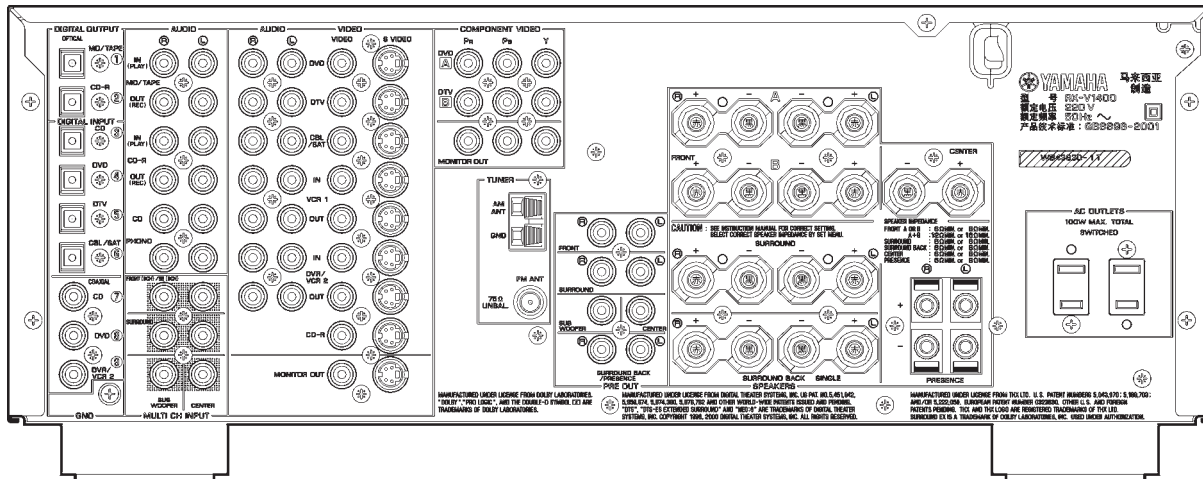


RX-V2400/RX-V2400RDS/DSP-AX2400
 RX-V1400/RX-V1400RDS/HTR-5690/DSP-AX1400

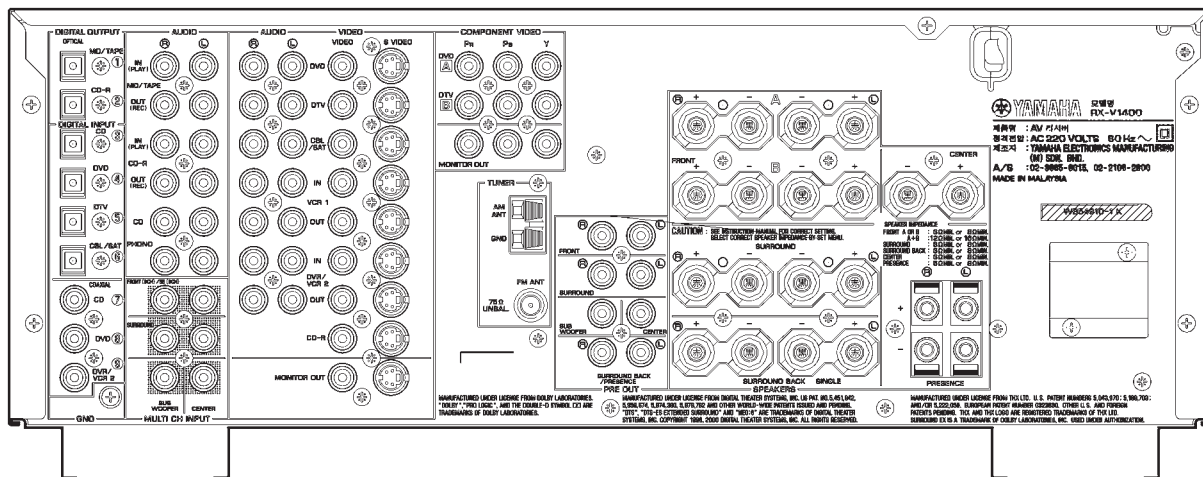
RX-V1400 (R model)



RX-V1400 (T model)



RX-V1400 (K model)



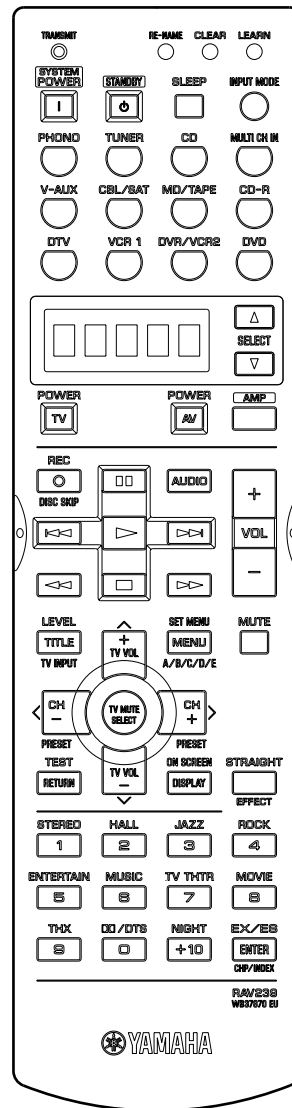
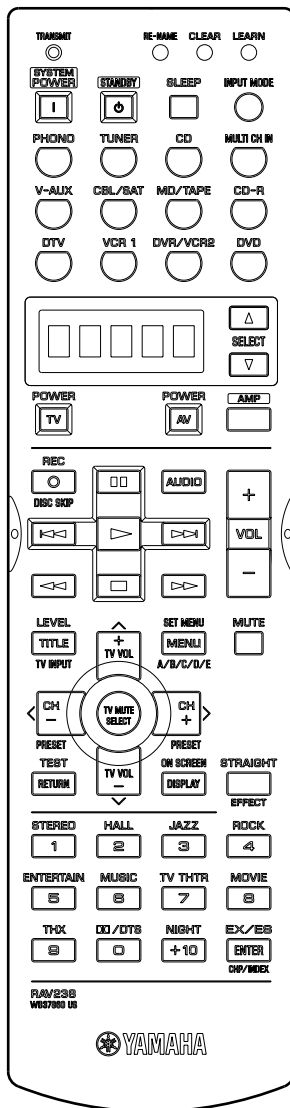
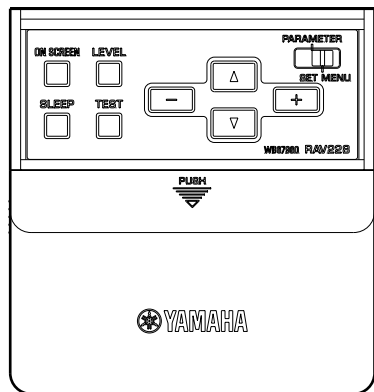
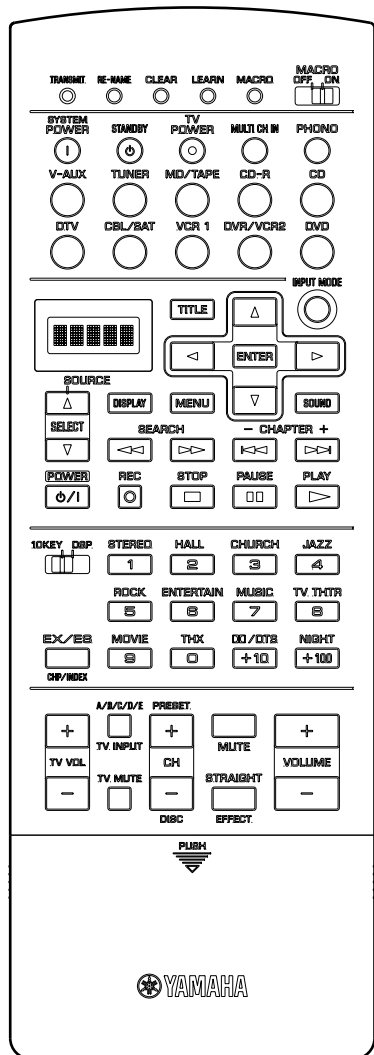
RX-V2400/RX-V2400RDS/DSP-AX2400
 RX-V1400/RX-V1400RDS/HTR-5690/DSP-AX1400

REMOTE CONTROL

RX-V2400/RX-V2400RDS/
DSP-AX2400

RX-V1400/HTR-5690/DSP-AX1400
(U, C, A, R, L, T, K, J models)

RX-V1400RDS
(B, G models)



RX-V2400/RX-V2400RDS/DSP-AX2400
RX-V1400/RX-V1400RDS/HTR-5690/DSP-AX1400

■ SPECIFICATIONS / 参考仕様

■ Audio Section / オーディオ部

Minimum RMS Output Power (Power Amp. Section) / 定格出力 (パワーアンプ部)

RX-V2400/RX-V2400RDS/DSP-AX2400 (20 Hz to 20 kHz)	
FRONT L/R	
U, C, A, B, G, L, R, T, K models (0.04% THD, 8 ohms) ..	120W + 120W
J model (0.06% THD, 6 ohms) ..	120W + 120W
CENTER	
U, C, A, B, G, L, R, T, K models (0.04% THD, 8 ohms) ...	120W
J model (0.06% THD, 6 ohms) ..	120W
SURROUND L/R	
U, C, A, B, G, L, R, T, K models (0.04% THD, 8 ohms) ..	120W + 120W
J model (0.06% THD, 6 ohms) ..	120W + 120W
SURROUND BACK L/R	
U, C, A, B, G, L, R, T, K models (0.04% THD, 8 ohms) ..	120W + 120W
J model (0.06% THD, 6 ohms) ..	120W + 120W
RX-V1400/RX-V1400RDS/HTR-5690/DSP-AX1400 (20 Hz to 20 kHz)	
FRONT L/R	
U, C, A, B, G, L, R, T, K models (0.04% THD, 8 ohms) ..	110W + 110W
J model (0.06% THD, 6 ohms) ..	110W + 110W
CENTER	
U, C, A, B, G, L, R, T, K models (0.04% THD, 8 ohms) ...	110W
J model (0.06% THD, 6 ohms) ..	110W
SURROUND L/R	
U, C, A, B, G, L, R, T, K models (0.04% THD, 8 ohms) ..	110W + 110W
J model (0.06% THD, 6 ohms) ..	110W + 110W
SURROUND BACK L/R	
U, C, A, B, G, L, R, T, K models (0.04% THD, 8 ohms) ..	110W + 110W
J model (0.06% THD, 6 ohms) ..	110W + 110W

Maximum Power / 実用最大出力 (EIAJ, 1kHz, 10% THD)

RX-V2400/RX-V2400RDS/DSP-AX2400	
FRONT L/R	
A, L, R, T, K models (8 ohms) ..	175W + 175W
J model (6 ohms) ..	180W + 180W
CENTER	
A, L, R, T, K models (8 ohms) ..	175W
J model (6 ohms) ..	180W
SURROUND L/R	
A, L, R, T, K models (8 ohms) ..	175W + 175W
J model (6 ohms) ..	180W + 180W
SURROUND BACK L/R	
A, L, R, T, K models (8 ohms) ..	175W + 175W
J model (6 ohms) ..	180W + 180W
RX-V1400/RX-V1400RDS/HTR-5690/DSP-AX1400	
FRONT L/R	
A, L, R, T, K models (8 ohms) ..	165W + 165W
J model (6 ohms) ..	170W + 170W
CENTER	
A, L, R, T, K models (8 ohms) ..	165W
J model (6 ohms) ..	170W
SURROUND L/R	
A, L, R, T, K models (8 ohms) ..	165W + 165W
J model (6 ohms) ..	170W + 170W
SURROUND BACK L/R	
A, L, R, T, K models (8 ohms) ..	165W + 165W
J model (6 ohms) ..	170W + 170W

Dynamic Power Per Channel / ダイナミックパワー (IHF)

RX-V2400/RX-V2400RDS/DSP-AX2400	
U, C, A, L, R, T, K models (8/6/4/2 ohms) ..	155/195/250/330W
RX-V1400/RX-V1400RDS/HTR-5690/DSP-AX1400	
U, C, A, L, R, T, K models (8/6/4/2 ohms) ..	145/185/240/320W

DIN Standard Output Power Per Channel / DINパワー [B, G models]

RX-V2400RDS (1 kHz, 0.7% THD, 4 ohms)	
FRONT L/R	180W + 180W
CENTER	180W
SURROUND L/R	180W + 180W
SURROUND BACK L/R	180W + 180W
RX-V1400RDS (1 kHz, 0.7% THD, 4 ohms)	
FRONT L/R	170W + 170W
CENTER	170W
SURROUND L/R	170W + 170W
SURROUND BACK L/R	170W + 170W

Dynamic Headroom / ダイナミックヘッドルーム

RX-V2400	
U, C, A, L, R, T, K models (8 ohms) ..	1.2dB
RX-V1400/HTR-5690	
U, C, A, L, R, T, K models (8 ohms) ..	0.76dB

IEC Power / IECパワー [B, G models]

RX-V2400RDS (1 kHz, 0.04% THD, 8 ohms)	
FRONT L/R	135W + 135W
RX-V1400RDS (1 kHz, 0.04% THD, 8 ohms)	
FRONT L/R	125W + 125W

Damping Factor / ダンピングファクタ

20 Hz to 20 kHz, SPEAKER-A, 8 ohms ..	140 or more
---------------------------------------	-------------

Input Sensitivity / Input Impedance (入力感度/入力インピーダンス)

PHONO (MM) ..	3.5 mV / 47 k-ohms
CD, etc. ..	200 mV / 47 k-ohms
MULTI CH INPUT	
FRONT L/R, CENTER, SURROUND L/R, SUB WOOFER	200 mV / 47 k-ohms

Maximum Input Signal Level / 最大許容入力

PHONO (MM) (1 kHz, 0.1% THD) ..	100mV
CD, etc. (1 kHz, 0.5% THD) ..	2.4V

Output Level / Output Impedance (出力電圧/出力インピーダンス)

REC OUT ..	200 mV / 1.2 k-ohms
PRE OUT (FRONT L/R, CENTER, SURROUND, SURROUND BACK) ..	1.0 V / 500 ohms
SUB WOOFER ..	2.0 V / 500 ohms

RX-V2400 [U, C, A models]

ZONE 2 OUT ..	1.0 V / 1.2 k-ohms
ZONE 3 OUT ..	1.0 V / 1.2 k-ohms

RX-V1400/HTR-5690 [U, C, A models]

ZONE 2 OUT ..	1.0 V / 1.2 k-ohms
ZONE 3 OUT ..	200 mV / 1.2 k-ohms

Headphone Jack Rated Output / Impedance (ヘッドフォン出力/出力インピーダンス)

CD, etc. (1 kHz, 40 mV, 8 ohms) ..	150 mV / 100 ohms
------------------------------------	-------------------

Frequency Response / 周波数特性

CD, etc. to FRONT L/R (10 Hz to 100 kHz) ..	+0/-3.0dB
---	-----------

RIAA Equalization Deviation / RIAA偏差

20 Hz to 20 kHz, PHONO (MM) ..	0±0.5dB
--------------------------------	---------

Total Harmonic Distortion / 全高調波歪率 (20Hz to 20kHz)

PHONO (MM) to REC OUT (1V) ..	0.02% or less
CD, etc. (STEREO) to FRONT L/R SP OUT (60W, 8 ohms) ..	0.04% or less

Signal to Noise Ratio / 信号対雑音比 (IHF-A network)

PHONO (MM) (Input shorted) to SP OUT	
U, C, L, R, T, K models (5mV) ..	86dB or more
A, B, G models (5mV) ..	81dB or more
J model (2.5mV) ..	80dB or more
CD, etc. (Input shorted, STEREO) to SP OUT	
200mV ..	98dB or more
250mV ..	100dB or more

Residual Noise / 残留ノイズ (IHF-A network)

FRONT L/R SP OUT ..	150µV or less
---------------------	---------------

Channel Separation / チャンネルセパレーション

(STEREO)	
PHONO (Input shorted, 1 kHz/10 kHz) ..	60dB or more/55dB or more
CD, etc. (Input 5.1 k-ohms shorted, 1 kHz/10 kHz) ..	60dB or more/45dB or more

Tone Control Characteristics / トーンコントロール特性

BASS	
Boost/Cut ..	±6dB (50Hz)
Turnover Frequency ..	350Hz
TREBLE	
Boost/Cut ..	±6dB (20kHz)
Turnover Frequency ..	3.5kHz

Filter Characteristics / フィルター特性

FRONT, CENTER, SURROUND, SURROUND BACK SP Small (H.P.F.) ..	fc=40/60/80/90/100/110/120/160/200Hz / 12dB oct.
SUBWOOFER (L.P.F.) ..	fc=40/60/80/90/100/110/120/160/200Hz / 24dB oct.

■ Video Section / ビデオ部

Video Signal Type / ビデオ信号方式

U, C, R, K, J models ..	NTSC
A, B, G, L, T models ..	PAL

Composite Video Signal Level / コンポジットビデオ信号

.....	1 Vp-p / 75 ohms
-------	------------------

S-Video Signal Level / Sビデオ信号

Y ..	1 Vp-p / 75 ohms
------	------------------

C ..	0.286 Vp-p / 75 ohms
------	----------------------

Component Video Signal Level / コンポーネントビデオ信号

Y ..	1 Vp-p / 75 ohms
------	------------------

Pb/Cr ..	0.7 Vp-p / 75 ohms
----------	--------------------

Video Maximum Input Level / ビデオ最大許容入力

.....	1.5 Vp-p or more
-------	------------------

Video Signal to Noise Ratio / ビデオ信号対雑音比

.....	50 dB or more
-------	---------------

Monitor Out Frequency Response / モニターアウト周波数帯域

Composite Video Signal, S-Video Signal ..	5 Hz to 10 MHz, -3 dB
Component Video Signal, D4-Video Signal ..	5 Hz to 60 MHz, -3 dB

■ FM Section / FM部

Tuning Range

U, C models ..	87.5 to 107.9 MHz
A, B, G, T, K models ..	87.5 to 108.00 MHz
R, L models ..	87.5 to 108.0 / 87.50 to 108.00 MHz
J model ..	76.0 to 90.0 MHz

50dB Quieting Sensitivity / 50dB SN感度 (IHF)

(1kHz, 100% Mod.)	
Mono ..	2.0 µV (17.3 dBf)
Stereo ..	25 µV (39.2 dBf)

Usable Sensitivity / 実用感度 (IHF)
Mono 1.0 μV (11.2 dBf)

Selectivity / 選択度
at 400 kHz 70 dB

Signal to Noise Ratio / 信号対雑音比 (IHF)
Mono / Stereo 76 dB / 70 dB

Harmonic Distortion / 歪率
(1 kHz)
Mono/Stereo 0.2 / 0.3 %

Stereo Separation / ステレオセパレーション
1 kHz 42 dB

Frequency Response / 周波数特性
20 Hz to 15 kHz +0.5 / -2 dB

Antenna Input / アンテナ入力
..... 75 ohms unbalanced

■ **AM Section / AM部**

Tuning Range / 受信周波数範囲
U, C models 530 to 1,710 kHz
A, B, G, T, K, J models 531 to 1,611 kHz
R, L models 530 to 1,710 / 531 to 1,611 kHz

Usable Sensitivity / 実用感度
..... 300 μV/m

Antenna / アンテナ入力
..... Loop Antenna

■ **General / 総合**

Power Supply / 電源電圧
U, C models AC 120 V, 60 Hz
A model AC 240 V, 50 Hz
B, G models AC 230 V, 50 Hz
R, L models AC 110/120/220/240 V, 50/60 Hz
T model AC 220 V, 50 Hz
K model AC 220 V, 60 Hz
J model AC 100V, 50/60 Hz

Power Consumption / 消費電力
U, C models 500 W / 630 VA
A, B, G, L, R, T, K models 500 W
J model 400 W

Standby Power Consumption (reference data) / 待機電力(参考値)
U, C, J models 0.5 W
L, R models 0.8 W
A, B, G, T, K models 0.5 W

Maximum Power Consumption
(6ch Drive, 10% THD)
RX-V2400
R model 1100 W
RX-V1400
R model 1050 W

AC Outlets / ACアウトレット
2 switched outlets
U, C models 100 W max. total / 0.8A max. total
G, T, J models 100 W max. total
R, L models 50 W max. total
1 switched outlet
A, B models 100W max.

Dimensions / 寸法 (W x H x D)
..... 435 x 171 x 433.5 mm (17-1/8" x 6-3/4" x 17-1/16")

Weight / 重量
RX-V2400/RX-V2400RDS 15.5 kg (34 lbs. 3 oz.)
DSP-AX2400 17.8 kg (39 lbs. 4 oz.)
RX-V1400/RX-V1400RDS/HTR-5690/DSP-AX1400 15.5 kg (34 lbs. 3 oz.)

Finish / 仕上げ
RX-V2400/RX-V1400 Gold color (L, R, T, K) models
Black color (U, C, A, R) models
RX-V2400RDS Titanium color (B, G) models
RX-V1400RDS Black color (G) model
Titanium color (B, G) models
HTR-5690 Gold color (T) model
Black color (U, C, A) models
DSP-AX2400 Gold color (J) model
Black color (J) model
DSP-AX1400 Gold color (J) model

■ **Accessories / 付属品**

Remote Control, Batteries (Manganese Dry), Indoor FM Antenna, AM Loop Antenna, Power Cable (U, C, G, J models), Microphones, Speaker Terminal Wrench, Antenna Adapter PAL (B model)

* Specifications are subject to change without notice due to product improvements.

※ 参考仕様および外観は予告なく変更されることがあります。

U U.S.A. model	C Canadian model
A Australian model	B British model
G European model	L Singapore model
R General model	T Chinese model
K Korean model	J Japanese model



Manufactured under license from Dolby Laboratories. "Dolby", "Pro Logic", "Surround EX", and the double-D symbol are trademarks of Dolby Laboratories.

ドルビーラボラトリーズからの実施権に基づき製造されています。ドルビー、DOLBY、ドルビーデジタル、PRO LOGIC、サラウンドEXおよびダブルD記号は、ドルビーラボラトリーズの商標です。

"SILENT CINEMA" is a trademark of YAMAHA CORPORATION.

「サイレントシアター/SILENT THEATER」はヤマハ株式会社の登録商標です。



"DTS" and "DTS-ES Digital Surround" and "Neo:6" are trademarks of Digital Theater Systems, Inc.

DTS、DTS-ESデジタルサラウンドおよびNeo:6はデジタルシアターシステムズの登録商標です。

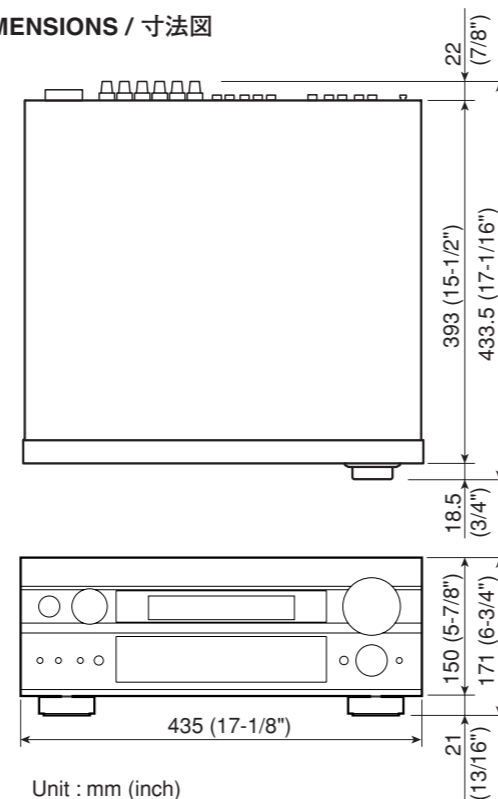


AACロゴマークはドルビーラボラトリーズの商標です。



THX and the THX logo are registered trademarks of THX Ltd. Surround EX is a jointly developed technology of THX and Dolby Laboratories, Inc. and is a trademark of Dolby Laboratories, Inc. All rights reserved. Used under authorization.

● **DIMENSIONS / 寸法図**



● **The variable range of the parameter (Min/Max/Step) / パラメーターの可変範囲 (最小/最大/ステップ)**

Parameter name	Pro Logic	Pro Logic II Movie/Game	Pro Logic II Music	Neo:6	2ch	DD/dts/AAC	6.1/ES	Unit
DSP LEVEL	-	-	-	-	-6/3/1	-6/3/1	-6/3/1	dB
(P.) INIT. DLY	-	-	-	-	1/99/1	1/99/1	1/99/1	ms
(P.) ROOM SIZE	-	-	-	-	0.1/2.0/0.1	0.1/2.0/0.1	0.1/2.0/0.1	-
(P.) LIVENESS	-	-	-	-	0/10/1	0/10/1	0/10/1	-
S. DELAY	10/25/1	10/25/1	0/15/1	0/30/1	0/49/1	0/49/1	0/49/1	ms
S. INIT. DLY	-	-	-	-	-	1/49/1	1/49/1	ms
S. ROOM. SIZE	-	-	-	-	0.1/2.0/0.1	0.1/2.0/0.1	0.1/2.0/0.1	-
S. LIVENESS	-	-	-	-	0/10/1	0/10/1	0/10/1	-
SB. INT.DLY	-	-	-	-	-	-	1/49/1	ms
SB. ROOM, SIZE	-	-	-	-	-	-	0.1/2.0/0.1	-
SB. LIVENESS	-	-	-	-	-	-	0/10/1	-
REV. TIME	-	-	-	-	1.0/5.0/0.1	1.0/5.0/0.1	1.0/5.0/0.1	s
REV. DELAY	-	-	-	-	0/250/1	0/250/1	0/250/1	ms
REV. LEVEL	-	-	-	-	0/100/1	0/100/1	0/100/1	%
Panorama	-	OFF	OFF/ON	-	-	-	-	-
Dimension	-	0 (STD)	-3/+3/1	-	-	-	-	-
C Width	-	0	0/7/1	-	-	-	-	-
C Image	-	-	-	0/0.5/0.1	-	-	-	-
DIALG. LIFT	-	-	-	-	0/5/1	0/5/1	0/5/1	-
PLII /PLIIx	-	PLII /PLIIx	PLII /PLIIx	-	-	-	-	-

7ch Stereo Parameter		Unit
CT. LEVEL	0/100/1	%
SL. LEVEL	0/100/1	%
SR. LEVEL	0/100/1	%
SB. LEVEL	0/100/1	%
RL. LEVEL	0/100/1	%
RR. LEVEL	0/100/1	%

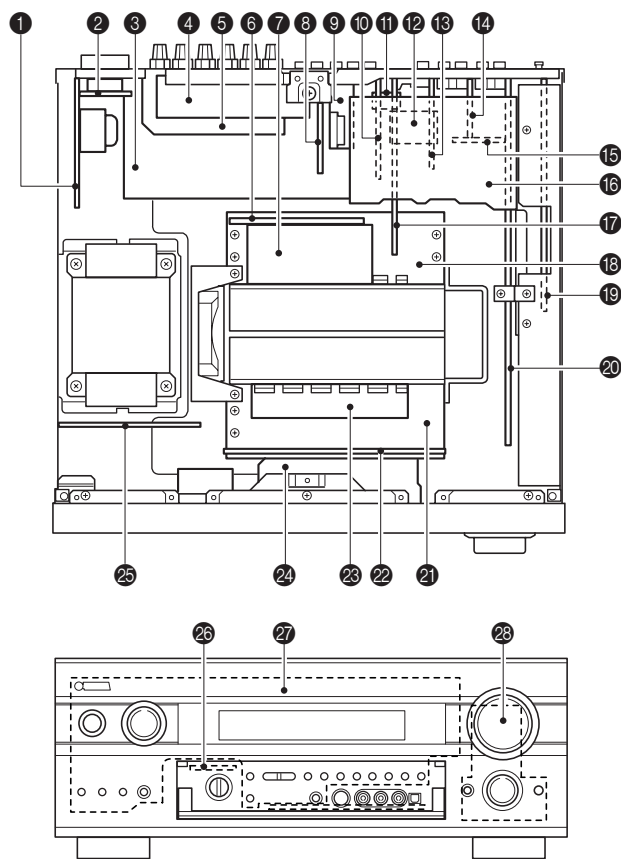
• Set Menu Table / セットメニュー

Main category	Sub-category	No.	Main Menu	Sub Menu	Initial Value	Setting Ranges	
AUTO SETUP	1 MENU		WIRING		CHECK	CHECK, SKIP	
			DISTANCE		CHECK	CHECK, SKIP	
			SIZE		CHECK	CHECK, SKIP	
			EQUALIZING		Flat	FRONT, Flat, Bass, Mid, High, SKIP	
			LEVEL		CHECK	CHECK, SKIP	
			SETUP		Auto	Auto, Step, RELOAD	
			WIRING		--	--	
			DISTANCE		--	--	
			SIZE		--	--	
			EQUALIZING		--	--	
			LEVEL		--	--	
			A WIRING		L/C/R/SR/SBR/SBL/SL/SWFR/FL/FR	OK, NONE	
			B DISTANCE		L/C/R/SR/SBR/SBL/SL/SWFR/FL/FR	xx.x m, xx.x ft	
			C SIZE		L/C/R/SR/SBR/SBL/SL/SWFR/FL/FR	LARGE, SMALL, NONE	
			D EQUALIZING		L/R/C/SR/SBR/SBL/SL/FL/FR		
			E LEVEL		L/C/R/SR/SBR/SBL/SL/SWFR/FL/FR	-10~0~+10 dB	
			F EXIT			SET, CANCEL	
MANUAL SETUP	1 BASIC MENU		ROOM SIZE		M	S, M, L	
			SUBWOOFER		YES	YES, NONE	
			PRESENCE SP		NONE	NONE, YES	
			Speakers		7	2, 3, 4, 5, 7, 8, 9	
			SETUP		(Advance to below steps when SET is selected.)	Cancelled after initial setting	
			CHECK				
			A SPEAKER SET		TEST TONE		
					CONFIRM	YES	YES, NO (→ to SOUND_SP_LEVEL)
					CENTER SP	SMALL	NONE, SMALL, LARGE
					FRONT SP	SMALL	SMALL, LARGE
					SURR. L/R SP	SMALL	NONE, SMALL, LARGE
					SB SP	SMLx2	NONE, SMLx1, SMLx2, LRGx1, LRGx2
					PRESENCE SP	NONE	NONE/YES
					LFE/BASS OUT	SWFR	SWFR, MAIN, BOTH
					SWFR CrossOver	80	40, 60, 80, 90, 100, 110, 120, 160, 200 Hz
					FL : FR	Center	Center (±20 step)
					FL : C	Center	Center (±20 step)
			FL : SL	Center	Center (±20 step)		
			SL : SBL	Center	Center (±20 step)		
			SL : SBR	Center	Center (±20 step)		
			SL : SR	Center	Center (±20 step)		
			FL : SWFR	Center	Center (±20 step)		
			F : PRES	Center	Center (±20 step)		
			UNIT		meters (m) / feet (ft)		
			m····FRONT L	3.0 m	0.3 to 24.0 m (0.1 m step)		
			m····FRONT R	3.0 m	0.3 to 24.0 m (0.1 m step)		
			m····CENTER	3.0 m	0.3 to 24.0 m (0.1 m step)		
			m····SURR. L	3.0 m	0.3 to 24.0 m (0.1 m step)		
			m····SURR. R	3.0 m	0.3 to 24.0 m (0.1 m step)		
			m····SB L	2.1 m	0.3 to 24.0 m (0.1 m step)		
			m····SB R	2.1 m	0.3 to 24.0 m (0.1 m step)		
			m····SWFR	3.0 m	0.3 to 24.0 m (0.1 m step)		
			m····PRESENCE L	3.0 m	0.3 to 24.0 m (0.1 m step)		
			m····PRESENCE R	3.0 m	0.3 to 24.0 m (0.1 m step)		
			feet··FRONT L	10.0 feet	1.0 to 80 feet (0.5 feet step)		
			feet··FRONT R	10.0 feet	1.0 to 80 feet (0.5 feet step)		
			feet··CENTER	10.0 feet	1.0 to 80 feet (0.5 feet step)		
			feet··SURR. L	10.0 feet	1.0 to 80 feet (0.5 feet step)		
			feet··SURR. R	10.0 feet	1.0 to 80 feet (0.5 feet step)		
			feet··SB L	7.0 feet	1.0 to 80 feet (0.5 feet step)		
			feet··SB R	7.0 feet	1.0 to 80 feet (0.5 feet step)		
			feet··SWFR	10.0 feet	1.0 to 80 feet (0.5 feet step)		
			feet··PRESENCE L	10.0 feet	1.0 to 80 feet (0.5 feet step)		
			feet··PRESENCE R	10.0 feet	1.0 to 80 feet (0.5 feet step)		
			Channel	L	L, R, CT, SR L/R, SB L/R, PRES L/R		
			63 Hz	0 dB	±6 dB (0.5 dB step)		
			160 Hz	0 dB	±6 dB (0.5 dB step)		
			400 Hz	0 dB	±6 dB (0.5 dB step)		
			1 kHz	0 dB	±6 dB (0.5 dB step)		
			2.5 kHz	0 dB	±6 dB (0.5 dB step)		
			6.3 kHz	0 dB	±6 dB (0.5 dB step)		
			16 kHz	0 dB	±6 dB (0.5 dB step)		
			SP LFE LEVEL	0 dB	±6 dB (0.5 dB step)		
			HP LFE LEVEL	0 dB	-20 dB to 0 dB (1 dB step)		
			SP DYNAMIC RANGE	MAX	MIN, STD, MAX		
			HP DYNAMIC RANGE	MAX	MIN, STD, MAX		
			TEST TONE	OFF	OFF, ON		
			OUTPUT	MAIN L/R	MAIN L/R, L, C, R, SR, SBL, SBR, SL, SWFR		
			FERQ.	88 Hz	35 Hz ... 88 Hz ... WIDE		
			HP TONE CTRL	0 dB	-6 dB to +6 dB (0.5 dB step)		
			HP TRBL	0 dB	-6 dB to +6 dB (0.5 dB step)		
			AUDIO MUTE	∞	∞, -20 dB		
			AUDIO DELAY	0 ~ 240 ms	0 ~ 240 ms		
			DIALG LIFT	OFF	OFF/ON		
			DUAL MONO (J)	MAIN	MAIN, SUB, ALL		
				SB	SB, PR		
			D	GRAPHIC EQ			
			E	LFE LEVEL			
			F	DYNAMIC RANGE			
			G	LOW FREQ. TEST			
			H	HP TONE CTRL			
			I	AUDIO SET			
			J	PR/SB SELECT			

3 INPUT MENU	A	I/O ASSIGNMENT	[A] CV INPUT 1	DVD	
			[B] CV INPUT 2	DTV	
			(1) OPTICAL OUT 1	MD/TAPE	
			(2) OPTICAL OUT 2	CD-R	
			(3) OPTICAL IN 1	CD	
			(4) OPTICAL IN 2	DVD	
			(5) OPTICAL IN 3	DTV	
			(6) OPTICAL IN 4	CBL/SAT	
			(7) COAXIAL IN 1	CD	
			(8) COAXIAL IN 2	DVD	
		(9) COAXIAL IN 3	DVR/VCR2		
4 OPTION MENU	B	INPUT MODE		AUTO	
	C	INPUT RENAME	DVD → __ DVD _ _ _ _		
	D	EXT INPUT SET	1 6ch/8ch	6ch	6 ch, 8 ch
			2. 8CH INPUT FRONT	DVD	
			3 CENTER to	CT	CT, FRONT
			4 SWFR to	SW	SW, FRONT
			5 SURR L/R to	SURR L/R	SURR L/R, FRONT
	A	DISPLAY SET	DIMMER	0	-4 to 0 (1 step)
			OSD SHIFT	0	0 ±5 (1 step)
			GRAY BACK	AUTO	AUTO, OFF
		V CONV.	ON	OFF, ON	
		CMPNT_OSD	ON	OFF, ON	
B	MEMORY GUARD		OFF	OFF, ON	
C	PARAM.INI	PARAM INIT 1	Parameters are initialized when keys of asterisk * marked numbers are pressed (1 to 10 for V1400)		
		PARAM INIT 2			
		PARAM INIT 3			
D	SP IMP.SET		8 ohms	8 ohms, 6 ohms	
E	ZONE SET	SP B SET	FRONT	FRONT, ZONE B	
F	ZONE2 SET (UCA)	ZONE2 OUT	VAR.	VAR., FIX	
		ZONE2 AMP	OFF	OFF, ON	
G	ZONE3 SET (UCA)	ZONE3 OUT (Only V2400)	VAR.	VAR., FIX	

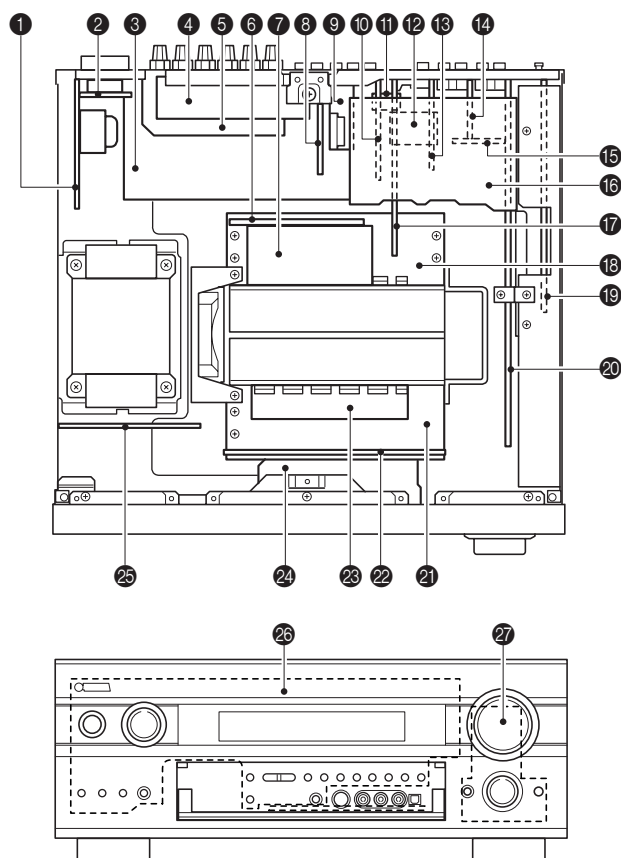
INTERNAL VIEW

RX-V2400/RX-V2400RDS/DSP-AX2400



- ① POWER (5) P.C.B.
- ② POWER (4) P.C.B. (L, R models only)
- ③ MAIN (1) P.C.B.
- ④ POWER (7) P.C.B. (U, C, A models only)
- ⑤ MAIN (5) P.C.B.
- ⑥ POWER (6) P.C.B.
- ⑦ MAIN (3) P.C.B.
- ⑧ VIDEO (4) P.C.B.
- ⑨ TUNER
- ⑩ CONVERSION P.C.B.
- ⑪ VIDEO (8) P.C.B.
- ⑫ VIDEO (7) P.C.B.
- ⑬ VIDEO (3) P.C.B.
- ⑭ VIDEO (5) P.C.B.
- ⑮ VIDEO (6) P.C.B.
- ⑯ VIDEO (2) P.C.B.
- ⑰ VIDEO (1) P.C.B.
- ⑱ MAIN (2) P.C.B.
- ⑲ DSP P.C.B.
- ⑳ FUNCTION P.C.B.
- ㉑ MAIN (4) P.C.B.
- ㉒ POWER (1) P.C.B.
- ㉓ POWER (3) P.C.B.
- ㉔ OPERATION (3) P.C.B.
- ㉕ POWER (2) P.C.B.
- ㉖ OPERATION (4) P.C.B.
- ㉗ OPERATION (1) P.C.B.
- ㉘ OPERATION (2) P.C.B.

RX-V1400/RX-V1400RDS/HTR-5690/DSP-AX1400



- ① POWER (5) P.C.B.
- ② POWER (4) P.C.B. (L, R models only)
- ③ MAIN (1) P.C.B.
- ④ POWER (7) P.C.B. (U, C, A models only)
- ⑤ MAIN (5) P.C.B.
- ⑥ POWER (6) P.C.B.
- ⑦ MAIN (3) P.C.B.
- ⑧ VIDEO (4) P.C.B.
- ⑨ TUNER
- ⑩ CONVERSION P.C.B.
- ⑪ VIDEO (8) P.C.B.
- ⑫ VIDEO (7) P.C.B.
- ⑬ VIDEO (3) P.C.B.
- ⑭ VIDEO (5) P.C.B.
- ⑮ VIDEO (6) P.C.B.
- ⑯ VIDEO (2) P.C.B.
- ⑰ VIDEO (1) P.C.B.
- ⑱ MAIN (2) P.C.B.
- ⑲ DSP P.C.B.
- ⑳ FUNCTION P.C.B.
- ㉑ MAIN (4) P.C.B.
- ㉒ POWER (1) P.C.B.
- ㉓ POWER (3) P.C.B.
- ㉔ OPERATION (3) P.C.B.
- ㉕ POWER (2) P.C.B.
- ㉖ OPERATION (1) P.C.B.
- ㉗ OPERATION (2) P.C.B.

RX-V2400/RX-V2400RDS/DSP-AX2400
 RX-V1400/RX-V1400RDS/HTR-5690/DSP-AX1400

■ DISASSEMBLY PROCEDURE / 分解手順

* The description below uses RX-V2400RDS (G model) as a representative model.

※ 本項目では、代表としてRX-V2400RDS (G model)について記述します。

(Remove parts in the order as numbered.)
Disconnect the power cable from the AC outlet.

(番号順に部品を取り外してください。)
AC電源コンセントから、電源コードを抜いてください。

1. Removal of Top Cover

- a. Remove 2 screws (①), 4 screws (②) and 5 screws (③). (Fig. 1)
- b. Slide the Top Cover rearward to remove it. (Fig. 1)

1. トップカバーの外し方

- a. ①のネジ2本、②のネジ4本、③のネジ5本を外します。(Fig. 1)
- b. トップカバーを後方へスライドさせ、取り外します。(Fig. 1)

2. Removal of Front Panel

Remove 6 screws (④) and then remove the Front Panel forward. (Fig. 1)

2. フロントパネルの外し方

- ④のネジ6本を外し、フロントパネルを前方に外します。(Fig. 1)

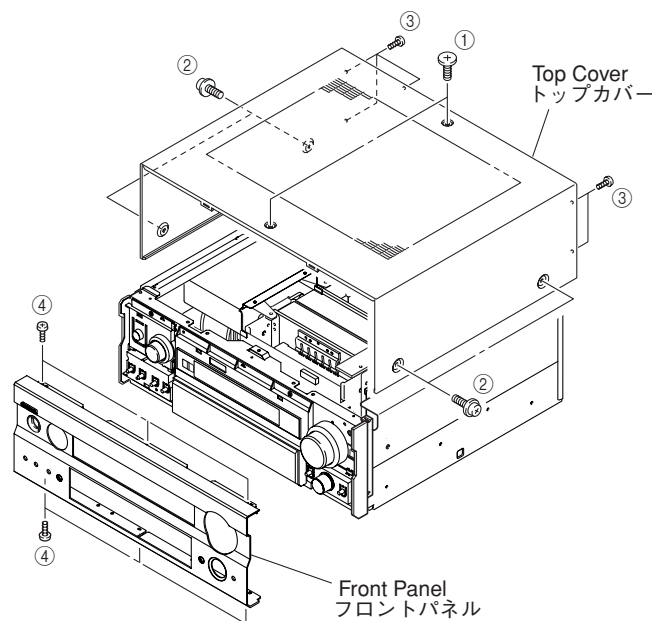


Fig. 1

3. Removal of Sub Chassis

- a. Remove 4 push rivets (⑤) and then remove the Side Plates. (Fig. 2)
- b. Remove 2 screws (⑥) and 2 screws (⑦). (Fig. 2)
- c. Remove CB25, CB509, CB512, CB861 ~ CB864. (Fig. 3)
- d. Remove the Sub Chassis forward. (Fig. 2)

3. サブシャーシの外し方

- a. ⑤のプッシュリベット4本を外し、サイドプレートを取り外します。(Fig. 2)
- b. ⑥のネジ2本、⑦のネジ2本を外します。(Fig. 2)
- c. CB25、CB509、CB512、CB861～CB864を外します。(Fig. 3)
- d. サブシャーシを前方に取り外します。(Fig. 2)

4. Removal of DSP P.C.B.

- a. Remove 2 screws (⑧) and then remove the Supports. (Fig. 2)
- b. Remove 5 screws (⑨) and then remove the Bracket. (Fig. 2)
- c. Remove 3 screws (⑩). (Fig. 2)
- d. Remove 8 screws (⑪). (Fig. 4)
- e. Remove CB501, CB503 ~ CB505. (Fig. 3)
- f. Remove the DSP P.C.B. upward. (Fig. 2)

4. DSP P.C.B.の外し方

- a. ⑧のネジ2本を外し、サポートを取り外します。(Fig. 2)
- b. ⑨のネジ5本を外し、ブラケットを取り外します。(Fig. 2)
- c. ⑩のネジ3本を外します。(Fig. 2)
- d. ⑪のネジ8本を外します。(Fig. 4)
- e. CB501、CB503～CB505を外します。(Fig. 3)
- f. DSP P.C.B.を上方に取り外します。(Fig. 2)

5. Removal of VIDEO (2) P.C.B.

- a. Remove 1 screw (⑫). (Fig. 2)

5. VIDEO (2) P.C.B.の外し方

- a. ⑫のネジ1本を外します。(Fig. 2)

- b. Remove CB554, CB555 and CB558. (Fig. 3)
- c. Remove the VIDEO (2) P.C.B. which is connected directly to the lower P.C.B. with connectors. (Fig. 2)

- b. CB554、CB555、CB558を外します。(Fig. 3)
- c. VIDEO (2) P.C.B.を取り外します。下方のP.C.B.と直接コネクター接続されています。(Fig. 2)

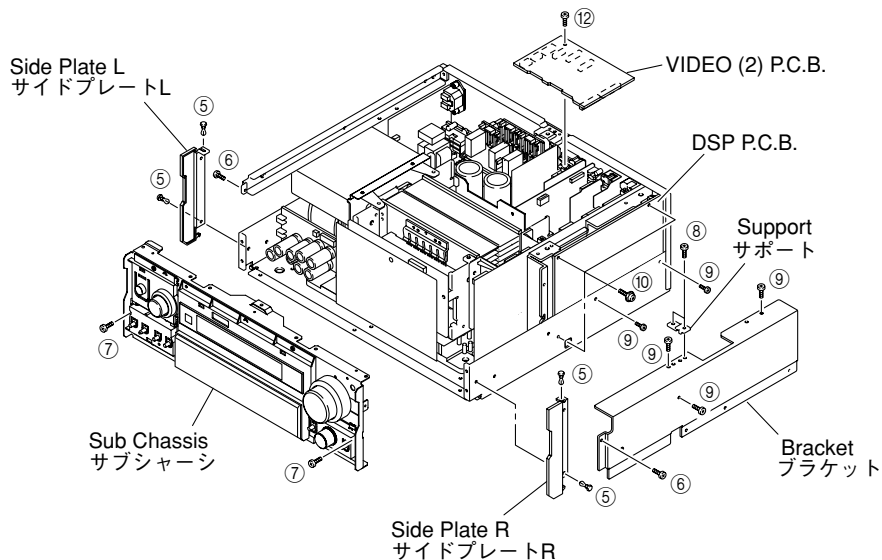


Fig. 2

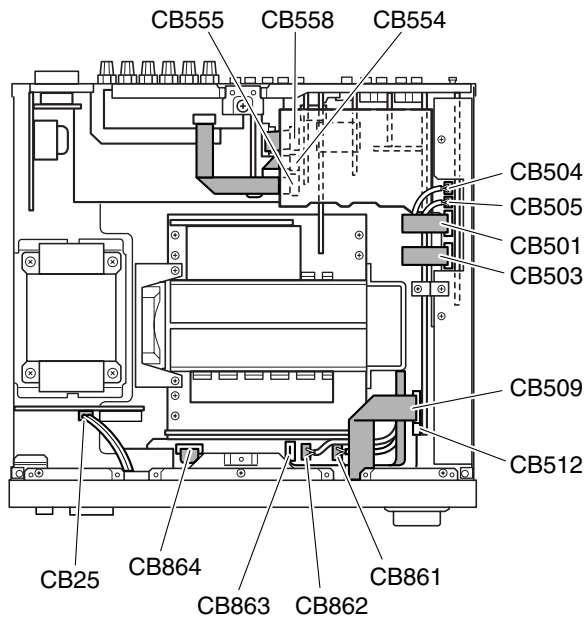


Fig. 3

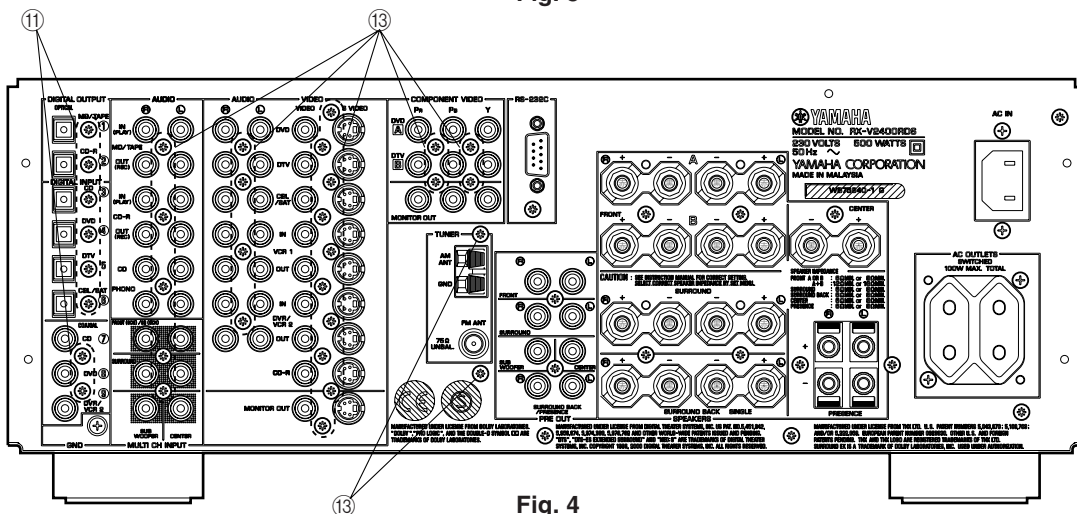


Fig. 4

6. Removal of VIDEO (1) ~ (3), (5) ~ (8), FUNCTION, CONVERSION P.C.B.s and Tuner

- a. Remove 25 screws (⑬). (Fig. 4)
- b. Remove VIDEO (1) ~ (3), (5) ~ (8), FUNCTION, CONVERSION P.C.B.s and Tuner. (Fig. 5)

When checking the P.C.B.:

- Put the Rubber Sheet and a Cloth over the equipment. Then place the P.C.B. upside down on the Cloth and check it. (Fig. 5)
- Reconnect all cables (connectors) that have been disconnected.
- When connecting the flat cable, use care for the polarity.
- The P.C.B. removed from the rear panel does not work because its grounding is loose. Be sure to connect the ground of each P.C.B. to the chassis or GND with a jumper wire or the like.

6. VIDEO (1)~(3)、(5)~(8)、FUNCTION、CONVERSION P.C.B.、チューナーの外し方

- a. ⑬のネジ25本を外します。(Fig. 4)
- b. VIDEO (1)~(3)、(5)~(8)、FUNCTION、CONVERSION P.C.B.、チューナーを取り外します。(Fig. 5)

P.C.B.チェックをする場合には

- 本機の上にゴムシートと布を敷き、その上にP.C.B.を裏返しに置いてチェックします。(Fig. 5)
- 外したケーブル(コネクタ)をすべて接続してください。
- フラットケーブルを接続する際、極性に注意してください。
- リアパネルから外したP.C.B.はアースが浮いて動作しませんので、各P.C.B.のアースをリード線等でシャーシまたはGNDに接続してください。

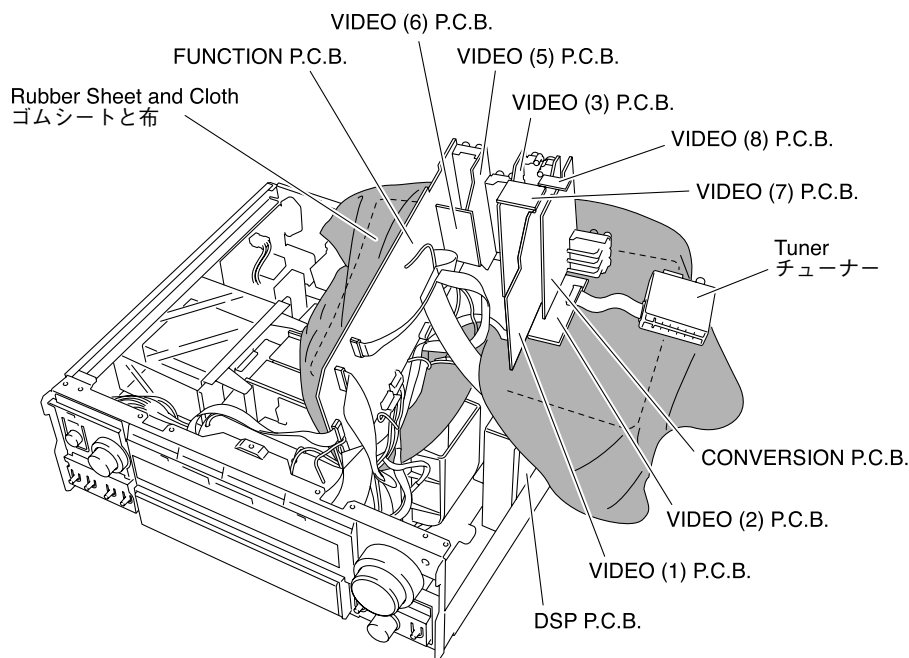


Fig. 5

7. Removal of Fan

- Remove 4 push rivets (14) and then remove the Cover. (Fig. 6)
- Remove 2 screws (15) and 2 screws (16). (Fig. 6)
- Remove the Fan together with the frame by lifting them up. (Fig. 6)

8. Removal of Amp Unit

- Remove 2 push rivets (17) and then remove the Duct. (Fig. 6)
- Remove 4 screws (18) and 4 screws (19). (Fig. 6)
- Remove the Amp Unit. (Fig. 6)

When checking the Amp Unit:

- Put the Amp Unit together with the heat sink upright on the art base and check them.
- Reconnect all cables (connectors) that have been disconnected.
- When connecting the flat cable, use care for the polarity.

7. ファンの外し方

- 14のプッシュリベット4本を外し、カバーを外します。(Fig. 6)
- 15のネジ2本、16のネジ2本を外します。(Fig. 6)
- ファンをフレームといっしょに上方に取り外します。(Fig. 6)

8. アンプユニットの外し方

- 17のプッシュリベット2本を外し、ダクトを外します。(Fig. 6)
- 18のネジ4本、19のネジ4本を外します。(Fig. 6)
- アンプユニットを取り外します。(Fig. 6)

アンプユニットをチェックする場合には

- アンプユニットはヒートシンクといっしょに、アートベースの上を立ててチェックします。(Fig. 7)
- 外したケーブル(コネクタ)をすべて接続してください。
- フラットケーブルを接続する際、極性に注意してください。

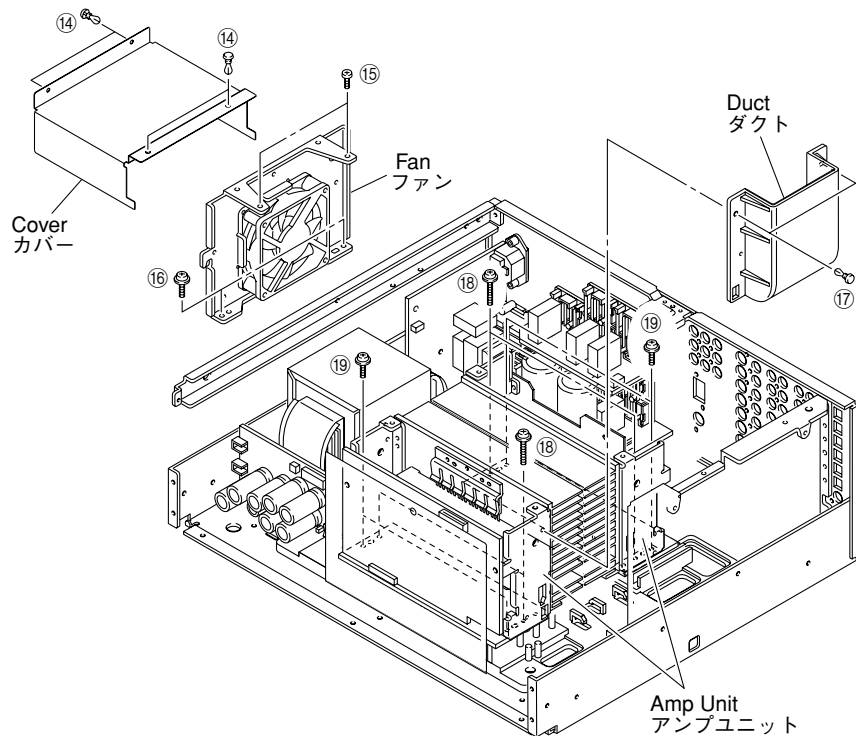


Fig. 6

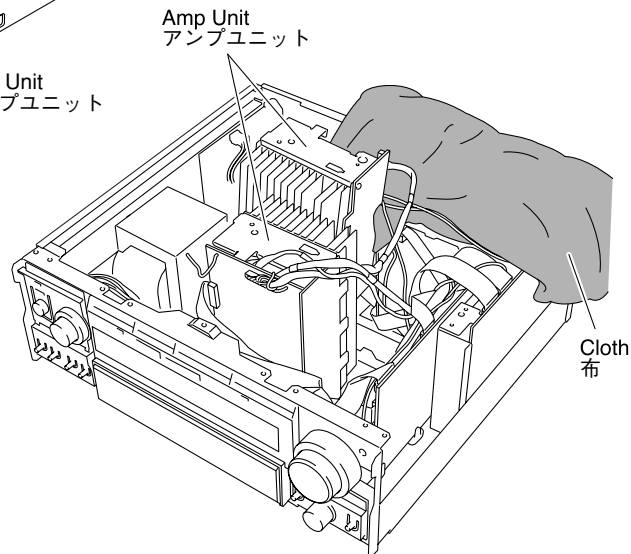


Fig. 7

■ UPDATING FIRMWARE / ファームウェアの書き込み

After replacing the IC512 on the FUNCTION P.C.B. with the service part (X4678A00), update the firmware according to the following procedure.

Equipment required

- PC with RS-232C serial port (OS: Windows98/2000/Me/XP)
- Firmware loading program (Z9Boot.exe)
- Firmware (Vx400_XXXXX.mot)
- RS-232C cross cable "D-Sub 9-pin Female".

Pin No.2 RxD	✕	Pin No.2 RxD
Pin No.3 TxD	—	Pin No.3 TxD
Pin No.5 GND	—	Pin No.5 GND
Pin No.7 RTS	✕	Pin No.7 RTS
Pin No.8 CTS	—	Pin No.8 CTS
- RS-232C Conversion Adapter (Part #: AAX24910)

Preparations

Download the firmware loading program and firmware from the specified download sources to the same directory of the PC for updating the firmware.

Firmware updating procedure

1. With the power turned off, connect the RS-232C cross cable and RS-232C conversion adapter (only for RX-V1400/RX-V1400RDS/HTR-5690) between the PC and the RS-232C port of the unit as shown below.



RX-V2400/RX-V2400RDS/
RX-V1400/RX-V1400RDS/HTR-5690/DSP-AX1400

FUNCTION P.C.B.のIC512をサービス部品(X4678A00)に交換した場合、下記の手順によりファームウェアの書き込みを行ってください。

必要なツール

- RS-232Cシリアルポート付きPC (OS: Windows 98/2000/Me/XP)
- ファームウェア書き込み用プログラム (Z9Boot.exe)
- ファームウェア (Vx400_XXXXX.mot)
- RS-232Cクロスケーブル“D-sub 9 pin メス”

(仕様) Pin No.2 RxD	✕	Pin No.2 RxD
Pin No.3 TxD	—	Pin No.3 TxD
Pin No.5 GND	—	Pin No.5 GND
Pin No.7 RTS	✕	Pin No.7 RTS
Pin No.8 CTS	—	Pin No.8 CTS
- RS-232C変換アダプター (AAX24910)

準備

ファームウェア書き込み用プログラムおよびファームウェアを指定のダウンロード先からバージョンアップ用PCの同じディレクトリにダウンロードしてください。

操作

1. パワーオフ状態で、RS-232CクロスケーブルおよびRS-232C変換アダプター (DSP-AX1400のみ) をPCと本機のRS-232Cポートに接続します。



RX-V2400/RX-V2400RDS/DSP-AX2400

2. After executing the firmware loading program, select the program type and port settings as follows:

2. ファームウェア書き込み用プログラムを立ち上げ、Program Typeおよびポート設定を選択します。

Program Type Select

Program Type: Vx400

COM > SETTING Menu

Port Setting Dialog

Port: Select proper port #

Bits per second: 9600

Data bits: 8

Parity: None

Stop bits: 1

Flow control: Hardware

3. Turn on the power to the unit.

3. 本機の電源をONします

4. To connect the line, click the CONNECT button or the COM menu, then click the CONNECT.

4. ラインに接続するためにCONNECTボタンまたはCOMメニューをクリックし、CONNECTをクリックします。

COM > CONNECT Menu

After connecting, the "Connected" message is displayed in the status bar.

接続された後、ステータスバーに“Connected”と表示されます。

5. To load the firmware, select the file to be loaded, click the Program Macro button, and then click the Open button.

5. 書き込むファームウェアファイルを選択し、Program Macroボタンをクリックし、OPENボタンをクリックします。書き込みが開始されます。

<CAUTION>

Never disconnect the power cable of the unit while loading the firmware, or the flash ROM data may be destroyed.

<注意>

書き込み中に本機の電源コードは絶対に抜かないでください。誤って書き込み中に電源コードを抜いた場合、フラッシュROMのデータが破壊されます。

6. When the firmware loading is finished, the checksum information will be displayed on the information box.

6. ファームウェア書き込み終了後、チェックサム情報が表示されます

7. To disconnect the line, click the BREAK button or click the COM menu, then click the BREAK.

7. ライン接続を解除するために、BREAKボタンまたはCOM Menuをクリックし、BREAKをクリックします。

COM > BREAK Menu

For more information, access to the “FIRMWARE UPDATE PROCEDURES” on the WEB SITE.

なお、より詳細な情報が必要な場合は、WEB SITEにあるFIRMWARE UPDATE PROCEDURESにアクセスしてください。

■ SELF DIAGNOSIS FUNCTION (DIAG) / 自己診断機能 (ダイアグ)

There are 18 DIAG menu items, each of which has sub-menu items. Listed in the table below are menu items and sub-menu items.

ダイアグメニューは18個あり、そのそれぞれにサブメニューがあります。下表はメニュー一覧です。

No	DIAG menu	sub-menu
1	DA601-YSS930 1. YSS 0dB	1. YSS 0dB
		2. YSS FULL BIT
2	BYPASS 2. ANALOG BYPASS	1. ANALOG BYPASS
		2. DSP BYPASS
3	RAM THROUGH 3. RAM 0dB	1. RAM 0dB
		2. FRONT ATT
4	PRO LOGIC / NEO6 4. PRO LOGIC I	1. PRO LOGIC I
		2. PRO LOGIC II
		3. NEO: 6
5	SPEAKER SET 5. FRNT: SML 0dB	1. FRONT: SMALL 0dB
		2. CENTER: NONE
		3. LFE/BASS: FRONT
		4. PRESS MIX: 5ch
		5. SURROUND B: MUTE
		6. SURROUND LR: MUTE
		7. SURROUND LR: NONE
6	EXTERNAL INPUT 6. 6CH INPUT_6	1. 6CH_INPUT_6OHMS
		2. 6CH_INPUT_8OHMS
		3. 8CH_INPUT_6OHMS
		4. 8CH_INPUT_8OHMS
7	MIC CHECK 7. MIC CHECK	MIC CHECK
8	EFFECT OFF/ DISPLAY CHECK 8. VFD CHECK	1. VFD CHECK (Initial display / 初期表示)
		2. VFD DISP OFF (All segments OFF / 全セグメント消灯)
		3. VFD DISP ALL (All segments ON 100% / 全セグメント点灯100%)
		4. VFD DIMMER (All segments ON 50% / 全セグメント点灯50%)
		5. CHECKED PATTERN (ON in lattice / 格子状点灯)
9	MANUAL TEST 9. TEST ALL	1. TEST ALL
		2. TEST FRONT L
		3. TEST CENTER
		4. TEST FRONT R
		5. TEST SURROUND R
		6. TEST SURROUND B
		7. TEST SURROUND L
		8. TEST PRESENCE L
		9. TEST PRESENCE R
		10. TEST LFE
10	RS-232C 10 TxRxData:XX	1. TX DATA
		2. HARD FLOW
11	FACTORY PRESET 11 PRESET INHI	1. PRESET INHIBIT (memory initialization inhibited / メモリーの初期化禁止)
		2. PRESET RESERVED (memory initialized / メモリーの初期化)

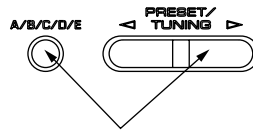
No	DIAG menu	sub-menu
12	AD DATA CHECK /FAN TEST DC:007 PS:025	1. DC/PS (protection)
		2. THM/FAN OUT
		3. REC-OUT
		4. IMP SW/POWER LIMIT
		5. K0/K1 (panel key)
		6. FAN DRIVE TEST: HIGH (Fan test only applies to models with a fan. / ファン装備モデルに適用)
		7. FAN DRIVE TEST: MID (Fan test only applies to models with a fan. / ファン装備モデルに適用)
		8. FAN DRIVE TEST: LOW (Fan test only applies to models with a fan. / ファン装備モデルに適用)
13	V CONV STATUS L:XXXXXXXX	1. LOW BYTE DATA
		2. HIGH BYTE DATA (Not applied to these models. / このモデルには適用されません。)
14	IF STATUS IS1:440308C000	1. IS 1 (5 Byte)
		2. IS 2 (3 Byte)
		3. CS 1 (5 Byte)
		4. CS 2 (5 Byte)
		5. CS 3 (5 Byte)
		6. CS 4 (5 Byte)
		7. CS 5 (4 Byte)
		8. BS1 (5 Byte)
		9. BS2 (5 Byte)
		10. BS3 (5 Byte)
		11. BS4 (5 Byte)
		12. BS5 (5 Byte)
		13. TI1 (5 Byte)
		14. TI2 (1 Byte)
		15. MTT (5 Byte)
15	DSP RAM CHECK YSS BUS:NoEr	1. YSS930 BUS CHECK
		2. SECOND DECODER BUS CHECK
16	PROTECTION SET	Not applied to these models. / このモデルには適用されません。
17	SOFT SW 17. SW :PCB	1. SW MODE
		2. MODEL SETTING
		3. TUNER DESTINATION
		4. TUNER EXIST
		5. RDS EXIST
		6. ZONE 2 EXIST
		7. VIDEO FORMAT
18	ROM VERSION/CHECK SUM/ PORT VER. XXXXXXXX	1. VERSION
		2. SUM ALL/PROGRAM
		3. SUM 232C BOOT/MAKER BOOT
		4. PORT
		5. AAC PORT

RX-V2400/RX-V2400RDS/DSP-AX2400
 RX-V1400/RX-V1400RDS/HTR-5690/DSP-AX1400

● Starting DIAG

Press the “STANDBY/ON” key while simultaneously pressing those two keys of the main unit as indicated in the figure below.

Keys of main unit / 本体キー



Turn on the power while pressing these keys.
これらのキーを同時に押しながら、パワーオンする。

● Starting DIAG in the protection cancel mode

If the protection function works and causes hindrance to trouble diagnosis, cancel the protection function as described below, and it will be possible to enter the DIAG mode. (The protection functions other than the excess current detect function will be disabled.)

Press the “STANDBY/ON” key while simultaneously pressing those two keys indicated in the figure above. At this time, keep pressing those two keys for 3 seconds or longer.

In this mode, the “SLEEP” segment of the FL display of the main unit flashes to indicate that the mode is DIAG mode with the protection functions disabled.

CAUTION!

Using this product with the protection function disabled may cause damage to itself. Use special care for this point when using this mode.

● Canceling DIAG

[1] Before canceling DIAG, execute setting for PRESET of DIAG menu No.11 (Memory initialization inhibited or Memory initialized).

* In order to keep the user memory stored, be sure to select PRESET INHIBIT (Memory initialization inhibited). Any protection history will remain in memory.

[2] Turn off the power by pressing the “STANDBY/ON” key of the main unit or the “STANDBY” key of the remote controller.

● ダイアグの起動

本体の下図に示すキーを同時に押しながら“STANDBY/ON”キーを押すと、ダイアグが起動します。

● プロテクション解除モードでの起動

プロテクションが動作することにより、故障箇所診断に支障をきたすような場合は、次の方法によりプロテクションを解除した状態でダイアグモードに入ることが出来ます。(過電流検出以外のプロテクション動作を解除する)

上図のキーを同時に押しながら“STANDBY/ON”キーを押します。このとき、上図のキーを3秒以上押し続けてください。

このモードでは本体FLの“SLEEP”セグメントが点滅し、プロテクションを解除した状態でのダイアグモードであることを知らせます。

注意！

プロテクションを解除した状態でのダイアグモードは、危険な状態でもプロテクションが作動しないため、動作させると、機器を破壊することがあります。このモードを使用する場合は十分注意してください。

● ダイアグの解除

① ダイアグを解除する前に、ダイアグメニューNo.11のFACTORY PRESET (メモリーの初期化禁止/またはメモリーの初期化)の設定をします。

※ ユーザーメモリーを保持したい場合は、必ずPRESET INHIBIT (メモリー初期化禁止)を選択してください。

② 本体の“STANDBY/ON”キーリモコンの“STANDBY”キーを押し、パワーオフにします。

● Display provided when DIAG started

When the monitor is connected, DIAGNOSTIC MENU appears on its screen as shown in the figure. (It remains on display until DIAG is cancelled.)

DIAGNOSTIC MENU	
1. DSP THR	10. RS232C
2. BYPASS	11. PRESET
3. RAM THR	12. AD/FAN
4. PRO LOGIC	13. VC STATUS
5. SP SET	14. IF STATUS
6. EXT_INPUT	15. DSP RAM
7. MIC CHECK	16. PRT SET
8. VFD CHECK	17. SOFT SW
9. MAN'L TEST	18. VER/SUM/P

● ダイアグ起動時の表示

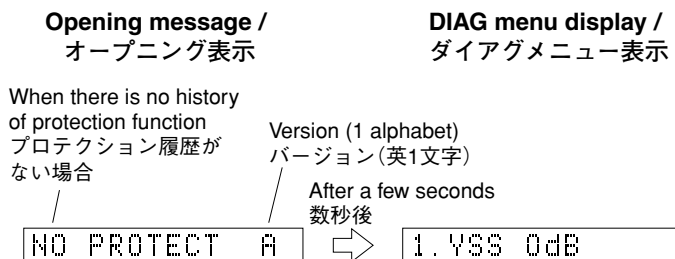
モニターを接続してある場合は、モニターの画面に図のようにダイアグメニューの一覧が表示されます。(ダイアグを解除するまで、この表示が保持されます)

The FL display of the main unit displays the protection function history data and the version (1 alphabet) and the DIAG menu [sub-menu (YSS 0dB) of DIAG menu No.1 DSP THROUGH] a few seconds later.

本体のFLディスプレイにプロテクション履歴情報とバージョン(英1文字)が表示され、数秒後にダイアグメニュー(No.1 DSP THROUGHのサブメニューYSS 0dB)になります。

When there is no history of protection function:

プロテクション履歴がない場合:



When there is a history of protection function:

プロテクション履歴がある場合:



Cause: An excessive current flowed through the power amplifier.

原因：パワーアンプに過電流が流れた。

Turning on the power without correcting the abnormality will cause the protection function to work immediately and the power supply will instantly be shut off.

補足：パワートランジスタの電流を検出していますので、電流検出トランジスタをチェックすれば異常チャネルが特定できます。

異常状態のままパワーオンすると、瞬時にプロテクションがかかり、すぐに電源が切れます。

Note)

- Applying the power to a unit without correcting the abnormality can be dangerous and cause additional circuit damage.
- The output transistors in each amplifier channel should be checked for damage before applying any power.
- Amplifier current should be monitored by measuring across the emitter resistors for each channel.

When there is a history of protection function due to abnormal voltage in the power supply section
電源部の電圧異常によるプロテクション履歴がある場合 \

Version (1 alphabet)
バージョン(英1文字) /

PS PRT:000 A

Voltage display in %
電圧の%表示

Cause: The voltage in the power supply section is abnormal.

Supplementary information: The abnormal voltage is displayed in % based on 5V as 100%.

Turning on the power without correcting the abnormality will cause the protection function to work 1 second later and the power supply will be shut off.

原因：電源部の電圧が異常。

補足：異常時の電圧の状態を、5Vを100%とした値で%表示します。

異常状態のままパワーオンすると、1秒後にプロテクションがかかり、電源が切れます。

When there is a history of protection function due to abnormal DC output
DC出力異常によるプロテクション履歴がある場合 \

Version (1 alphabet)
バージョン(英1文字) /

DC PRT:000 A

Cause: DC output of the power amplifier is abnormal.

Supplementary information: The abnormal voltage is displayed in % based on 5V as 100%.

Turning on the power without correcting the abnormality will cause the protection function to work 3 seconds later and the power supply will be shut off.

原因：パワーアンプのDC出力が異常。

補足：異常時の電圧の状態を、5Vを100%とした値で%表示します。

異常状態のままパワーオンすると、3秒後にプロテクションがかかり、電源が切れます。

When there is a history of protection function due to excessive heat sink temperature
放熱器の異常温度によるプロテクション履歴がある場合 \

Version (1 alphabet)
バージョン(英1文字) /

TMP PRT:000 A

Voltage display in %
電圧の%表示

Cause: The temperature of the heat sink is excessive.

Supplementary information: The abnormal voltage is displayed in % based on 5V as 500%.

Turning on the power without correcting the abnormality will cause the protection function to work 1 second later and the power supply will be shut off.

原因：放熱器の温度が異常。

補足：異常時の電圧の状態を、5Vを500%とした値で%表示します。

異常状態のままパワーオンすると、1秒後にプロテクションがかかり、電源が切れます。

※ 前記の異常原因の他に、コネクタのはずれやCPU周辺などに原因がある場合があります。

※ プロテクションの電圧値に関しては、後述のダイアグラムNo.12を参照してください。

* Additional causes of protection can be due to loose connections, associated components, CPU, etc.

* For the protection voltage value, refer to DIAG menu No.12 described later.

● History of protection function

When the protection function has worked, its history is stored in memory with a backup. Even if no abnormality is noted while servicing the unit, an abnormality which has occurred previously can be defined as long as the backup data has been stored.

The history of the protection function is cleared when DIAG is cancelled by selecting PRESET RESERVED (Memory initialized) of DIAG menu No. 11 or when the backup data is erased.

● Display during menu operation

During the DIAG operation, the menu list described in the section of the startup screen appears on the superimposed screen and the function at work is indicated on the FL indicator. The contents displayed during the function operation are described in the later section on details of functions.

● Operation procedure of DIAG menu and SUB-MENU

There are 18 MENU items, each of which has some SUB-MENU items.

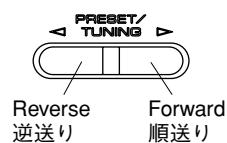
DIAG menu selection

Select the menu using PROGRAM knob.

SUB-MENU selection

Select the sub-menu using ▷ (Forward) and ◁ (Reverse) keys of PRESET/TUNING.

SUB-MENU selection
サブメニューの選択



● プロテクションの履歴

プロテクションが働いた場合、履歴をバックアップして記憶しています。サービスのときに異常が認められなくても、バックアップが残っていれば、お客様のところで起きた異常を区別できます。

プロテクションの履歴は、ダイアグメニューNo.11で PRESET RESERVED (メモリーの初期化)を選んでダイアグを解除した場合や、バックアップが消えたときにはクリアされます。

● メニュー動作中の表示

ダイアグ中、モニター画面には起動画面の項で説明したメニュー一覧が表示されます。本体のFLディスプレイには動作中の機能が表示されます。機能動作中の表示内容については、後述の機能詳細で記述します。

● ダイアグメニューとサブメニューの操作

ダイアグにはNo.1~18のメニューがあり、そのそれぞれにサブメニューがあります。

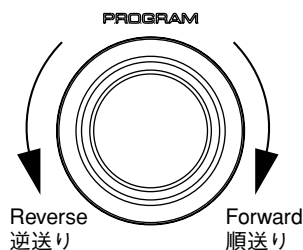
ダイアグメニューの選択

PROGRAMツマミで選択します。

サブメニューの選択

PRESET/TUNING ▷ (順送り), ◁ (逆送り)キーで選択します。

DIAG menu selection
ダイアグメニューの選択



● Functions in DIAG mode

In addition to the DIAG menu items, functions as listed below are available.

- Input selection, Multi channel input
 - Center/Surround/Surround Back/Sub-woofer level adjustment
 - Muting
 - Speaker relay A/B
 - Power on/off
 - Master volume
- * Functions related to the tuner and the set menu are not available.
- * It is possible to confirm Menu No.14 IF STATUS while keeping the signal process (operation status) of each DIAG menu by using the input mode key of the main unit.

● Initial settings used to start DIAG

The following initial settings are used when starting DIAG. When DIAG is canceled, these settings are restored to those before starting DIAG.

- Master volume: -20dB
- Input: DVD (MULTI CHANNEL INPUT OFF)
- Effect level: 0dB
- Audio mute: OFF
- Speaker relay A/B: ON
- Speaker setting: LARGE / BASS OUT = BOTH
- DIAG menu: DA601-YSS930 (1. YSS 0dB)

● ダイアグ中の機能

ダイアグメニューの他に、以下の機能が動作します。

- インプット切り換え、マルチチャンネルインプット
- センター、サラウンド、サラウンドバック、サブwooferレベル調整
- ミューティング
- スピーカーリレーA/B
- パワーオン/オフ
- マスターボリューム

※ チューナー関連、セットメニュー関連は機能しません。
※ 本体のINPUT MODEキーにより、各ダイアグメニューの信号処理(動作状態)を維持したままメニューNo.14 “IF STATUS”の確認ができます。

● ダイアグ開始時の初期設定

ダイアグ開始時に以下のような設定になります。ダイアグ解除時にはダイアグ開始前の状態に戻ります。

- マスターボリューム: -20dB
- インプット: DVD (マルチチャンネルINPUT オフ)
- エフェクトレベル: 0dB
- オーディオミュート: オフ
- スピーカーリレーA/B: オン
- スピーカー設定: LARGE / BASS OUT=BOTH
- ダイアグメニュー: DA601-YSS930 (1. YSS 0dB)

● Details of DIAG menu

With full-bit output specified in some modes, it is possible to execute 0dBFS output without head margin in each channel.

1. DA601-YSS930

This function is for YSS930 only. Main DSP of YSS930 is selected for FRONT output.

Using the sub-menu, it is possible to select 0dB output level or full-bit output.

YSS 0dB

- The signal is output including the head margin.

1. YSS 0dB

Reference data

INPUT: DVD ANALOG

SUBWOOFER: 50Hz, Others: 1kHz

Input level	Volume	PRE OUTPUT				
		FRONT	CENTER	SURROUND	SURROUND BACK	SUBWOOFER
Both ch, -20 dBm	+6.5 dB	-16.3 dBm	-16.3 dBm	-16.8 dBm	-17.0 dBm	-17.0 dBm

YSS FULL BIT

- The signal is output in digital full bit without including the head margin.
- The SWFR signal is output but not in digital full bit.

1. YSS FULL BIT

Reference data

INPUT: DVD ANALOG

SUBWOOFER: 50Hz, Others: 1kHz

Input level	Volume	PRE OUTPUT				
		FRONT	CENTER	SURROUND	SURROUND BACK	SUBWOOFER
Both ch, -20 dBm	+6.5 dB	-16.3 dBm	-16.3 dBm	-16.8 dBm	-17.0 dBm	-17.0 dBm

● ダイアグメニュー詳細

一部のモードでフルビット指定することで、各チャンネルのヘッドマージンを廃して0dBFS出力することが可能です。

1. DA601-YSS930

YSS930のみの動作です。FRONT出力にはYSS930のMain DSPが選択されます。

サブメニューにより、出力レベル0dB、フルビット出力が選択可能です。

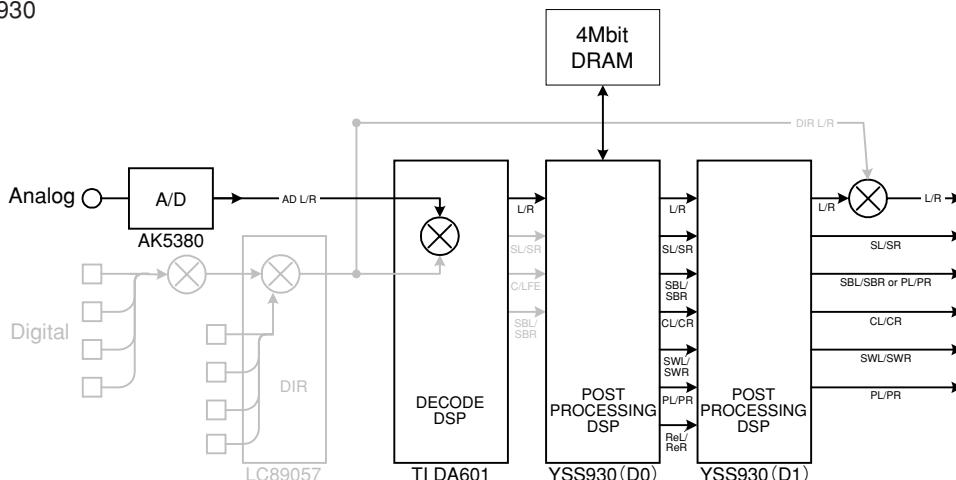
YSS 0dB

- ヘッドマージンを含んで出力されます。

YSS FULL BIT

- ヘッドマージンを含まず、デジタルフルビットで出力されます。
- SWFRは出力されますが、デジタルフルビットではありません。

DA601-YSS930
(ANALOG)



(Shaded items not used in this example)

2. BYPASS

2. BYPASS

ANALOG BYPASS

ANALOG BYPASS

2. ANALOG BYPASS

Reference data

INPUT: DVD ANALOG

SUBWOOFER: 50Hz, Others: 1kHz

Input level	Volume	PRE OUTPUT				
		FRONT	CENTER	SURROUND	SURROUND BACK	SUBWOOFER
Both ch, -20 dBm	+6.5 dB	-15.7 dBm	- ∞	- ∞	- ∞	- ∞

DSP BYPASS

DSP BYPASS

2. DSP BYPASS

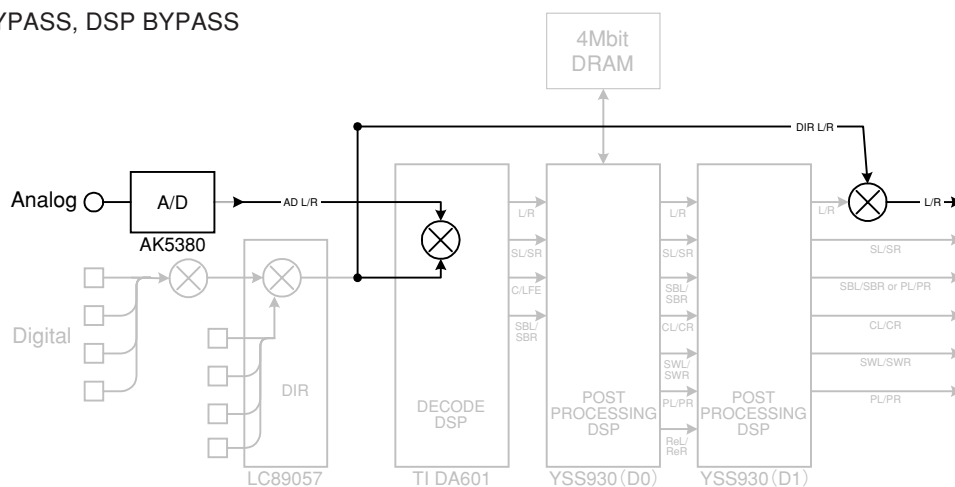
Reference data

INPUT: DVD ANALOG

SUBWOOFER: 50Hz, Others: 1kHz

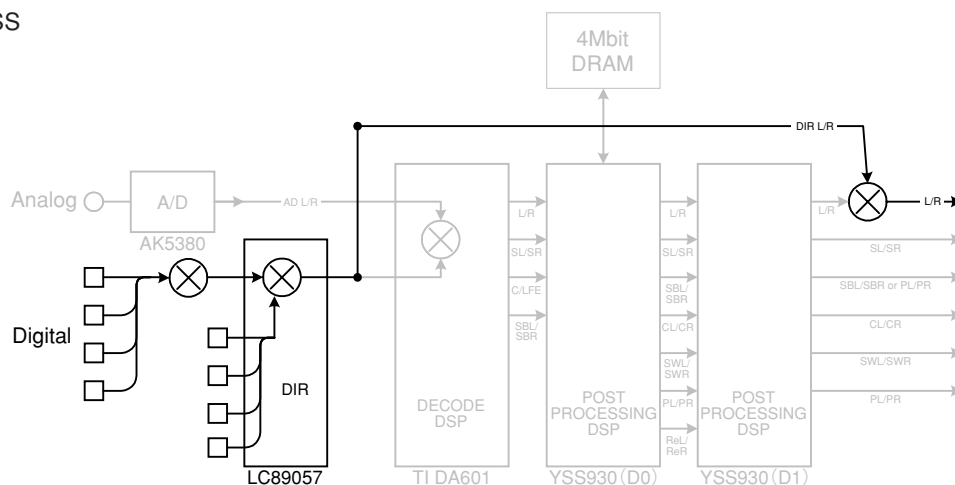
Input level	Volume	PRE OUTPUT				
		FRONT	CENTER	SURROUND	SURROUND BACK	SUBWOOFER
Both ch, -20 dBm	+6.5 dB	- ∞	- ∞	- ∞	- ∞	- ∞

ANALOG BYPASS, DSP BYPASS
(ANALOG)



(Shaded items not used in this example)

DSP BYPASS
(DIGITAL)



(Shaded items not used in this example)

3. RAM THROUGH

Using the sub-menu, it is possible to select the full-bit output at 0dB output level.

3. RAM THROUGH

サブメニューにより出力レベル0dB、フルビット出力が選択可能です。

RAM 0dB

RAM 0dB

3. RAM 0dB

Reference data

INPUT: DVD ANALOG

SUBWOOFER: 50Hz, Others: 1kHz

Input level	Volume	PRE OUTPUT				
		FRONT	CENTER	SURROUND	SURROUND BACK	SUBWOOFER
Both ch, -20 dBm	+6.5 dB	-16.3 dBm	-16.2 dBm	-17.0 dBm	-17.0 dBm	-17.0 dBm

FRONT ATT

- MAIN -9dB

FRONT ATT

- MAIN -9dB

3. FRONT ATT

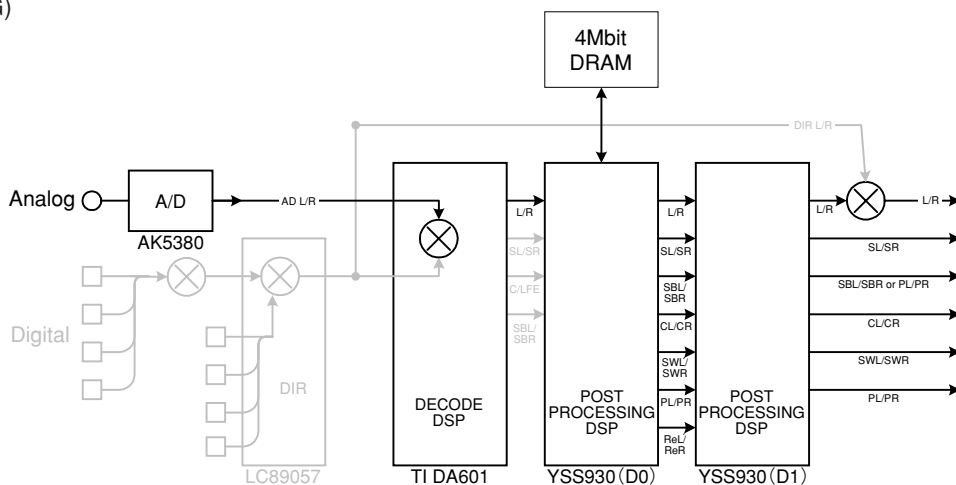
Reference data

INPUT: DVD ANALOG

SUBWOOFER: 50Hz, Others: 1kHz

Input level	Volume	PRE OUTPUT				
		FRONT	CENTER	SURROUND	SURROUND BACK	SUBWOOFER
Both ch, -20 dBm	+6.5 dB	-25.0 dBm	-16.2 dBm	-17.0 dBm	-17.0 dBm	-17.0 dBm

RAM THROUGH (ANALOG)



(Shaded items not used in this example)

4. PRO LOGIC / NEO6

4. PRO LOGIC / NEO6

PRO LOGIC I

PRO LOGIC I

4. PRO LOGIC I

Reference data
INPUT: DVD ANALOG
SUBWOOFER: 50Hz, Others: 1kHz

Input level	Volume	PRE OUTPUT				
		FRONT	CENTER	SURROUND	SURROUND BACK	SUBWOOFER
Each ch, -20 dBm	+6.5 dB	-16.3 dBm	- ∞	- ∞	- ∞	- ∞
Both ch, -20 dBm	+6.5 dB	- ∞	-13.4 dBm	- ∞	- ∞	- ∞

PRO LOGIC II

PRO LOGIC II

4. PRO LOGIC II

Reference data
INPUT: DVD ANALOG
SUBWOOFER: 50Hz, Others: 1kHz

Input level	Volume	PRE OUTPUT				
		FRONT	CENTER	SURROUND	SURROUND BACK	SUBWOOFER
Each ch, -20 dBm	+6.5 dB	-16.3 dBm	- ∞	- ∞	- ∞	- ∞
Both ch, -20 dBm	+6.5 dB	- ∞	-13.4 dBm	- ∞	- ∞	- ∞

Neo:6

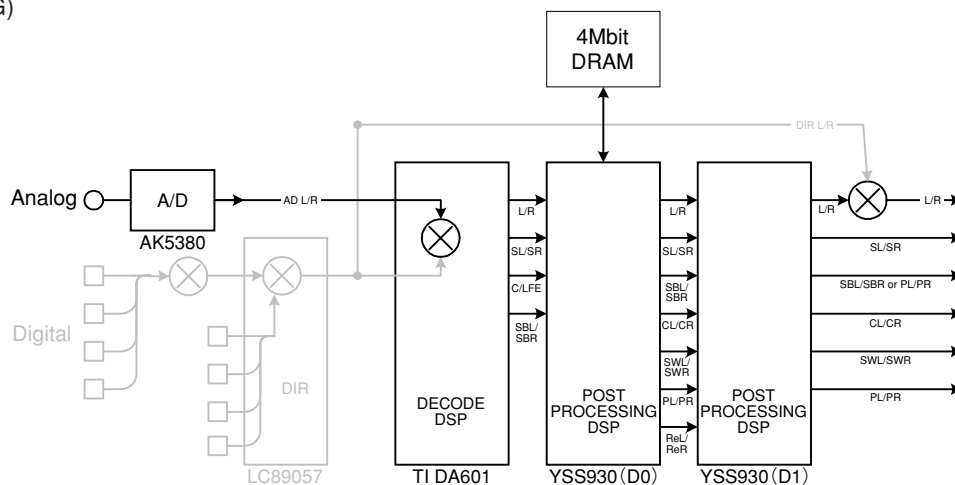
Neo:6

4. Neo:6

Reference data
INPUT: DVD ANALOG
SUBWOOFER: 50Hz, Others: 1kHz

Input level	Volume	PRE OUTPUT				
		FRONT	CENTER	SURROUND	SURROUND BACK	SUBWOOFER
Each ch, -20 dBm	+6.5 dB	-16.3 dBm	- ∞	- ∞	- ∞	- ∞
Both ch, -20 dBm	+6.5 dB	- ∞	-13.4 dBm	- ∞	- ∞	- ∞

PRO LOGIC/NEO:6
(ANALOG)



(Shaded items not used in this example)

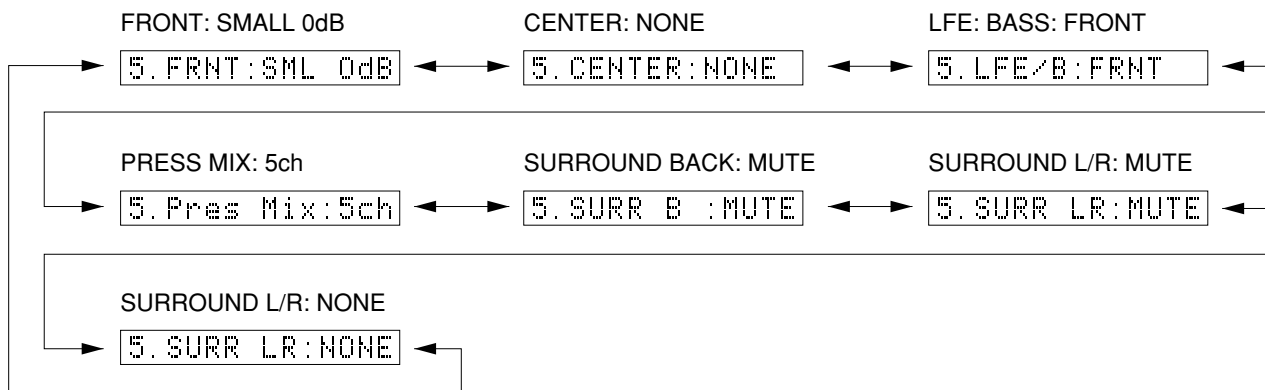
5. SPEAKERS SET

The input signal is automatically identified in the order of dts → DOLBY DIGITAL → AAC → PCM → Analog.
There are seven sub-menu items as follows. The signals output from the DSP block are the same as 1. DA601-YSS930: YSS 0dB.

5. SPEAKERS SET

入力は、DTS → DOLBY DIGITAL → AAC → PCM → アナログの優先順で自動判別されます。

サブメニューは以下の7つあります。
DSP部からは、No.1 DA601-YSS930のYSS 0dBと同様の信号が出力されます。



The analog switch settings for each sub-menu are as shown in the table below.

各サブメニューにおけるアナログスイッチの設定は以下の通りです。

Sub-menu		CENTER SP	SURROUND SP	FRONT SP	LFE/BASS
1	FRONT: SMALL 0dB	LARGE	LARGE	SMALL	SWFR
2	CENTER: NONE	NONE	LARGE	LARGE	SWFR
3	LFE/BASS: FRONT	SMALL	SMALL	LARGE	MAIN
4	PRESS MIX: 5CH	LARGE	LARGE	LARGE	SWFR
5	SURROUND BACK: MUTE	LARGE	LARGE	LARGE	SWFR
6	SURROUND: MUTE	LARGE	LARGE	LARGE	SWFR
7	SURROUND: NONE	LARGE	NONE	LARGE	SWFR

- LARGE:** This mode is used with a speaker with high bass reproduction performance (a large unit). Full bandwidth signals are output.
- SMALL:** This mode is used with a speaker with low bass reproduction performance (a small unit). The signals of 90Hz or less are mixed into the channel specified by LFE/BASS.
- NONE:** This mode is used with no center speaker. The center content is reduced by 3dB and distributed to FRONT L/R.

- LARGE:** 低音再生能力の高い(ユニットの大きい)スピーカーを使用するモードです。全帯域が出力されます。
- SMALL:** 低音再生能力の低い(ユニットの小さい)スピーカーを使用するモードです。90Hz以下がLFE/BASSで指定したチャンネルにミックスされます。
- NONE:** スピーカーを使用しないモードです。センター成分は-3dBされて、FRONT L/Rに振り分けられます。

Reference data
INPUT: DVD ANALOG
SUBWOOFER: 50Hz, Others: 1kHz

Sub-menu	Input level	Volume	PRE OUTPUT					
			FRONT	CENTER	SURROUND	SURROUND BACK	SUBWOOFER	
1	FRONT: SMALL 0dB	1 kHz Both ch, -20 dBm	+6.5 dB	-16.3 dBm	-16.3 dBm	-17.0 dBm	-17.0 dBm	-17.0 dBm
2	CENTER: NONE	1 kHz Both ch, -20 dBm	+6.5 dB	-20.0 dBm	-∞	-17.0 dBm	-17.0 dBm	-17.0 dBm
3	LFE/BASS: FRONT	1 kHz Both ch, -20 dBm	+6.5 dB	-16.2 dBm	-16.2 dBm	-16.7 dBm	-16.7 dBm	-∞
		50 Hz Both ch, -20 dBm	+6.5 dB	-5.7 dBm	-26.0 dBm	-26.0 dBm	-26.0 dBm	-∞
4	PRESS MIX: 5CH	1 kHz Both ch, -20 dBm	+6.5 dB	-16.3 dBm	-16.3 dBm	-17.0 dBm	-17.0 dBm	-17.0 dBm
5	SURROUND BACK: MUTE	1 kHz Both ch, -20 dBm	+6.5 dB	-16.3 dBm	-16.3 dBm	-17.0 dBm	-17.0 dBm	-17.0 dBm
6	SURROUND: MUTE	1 kHz Both ch, -20 dBm	+6.5 dB	-16.3 dBm	-16.3 dBm	-∞	-17.0 dBm	-17.0 dBm
7	SURROUND: NONE	1 kHz Both ch, -20 dBm	+6.5 dB	-17.3 dBm	-16.3 dBm	-∞	-17.0 dBm	-17.0 dBm

6. EXTERNAL INPUT

It is possible to select the 6ch/8ch input and 6_/8_ by using the SUB menu.

6CH_INPUT_6OHMS

6. 6CH INPUT_6

6CH_INPUT_8OHMS

6. 6CH INPUT_8

8CH_INPUT_6OHMS

6. 8CH INPUT_6

8CH_INPUT_8OHMS

6. 8CH INPUT_8

6. EXTERNAL INPUT

サブメニューにより、6ch/8ch入力および6Ω/8Ωが選択可能です。

6CH_INPUT_6OHMS

6CH_INPUT_8OHMS

8CH_INPUT_6OHMS

8CH_INPUT_8OHMS

Reference data

INPUT: DVD ANALOG

SUBWOOFER: 50Hz, Others: 1kHz

	Sub-menu	Input level	Volume	PRE OUTPUT				
				FRONT	CENTER	SURROUND	SURROUND BACK	SUBWOOFER
1	6CH_INPUT_6ohms	Both ch, -20 dBm	+6.5 dB	-16.0 dBm	-15.8 dBm	-16.0 dBm	-∞	-∞
2	6CH_INPUT_8ohms	Both ch, -20 dBm	+6.5 dB	-16.0 dBm	-15.8 dBm	-16.0 dBm	-∞	-∞
3	8CH_INPUT_6ohms	Both ch, -20 dBm	+6.5 dB	-15.7 dBm	-15.8 dBm	-16.0 dBm	-∞	-∞
4	8CH_INPUT_8ohms	Both ch, -20 dBm	+6.5 dB	-15.7 dBm	-15.8 dBm	-16.0 dBm	-∞	-∞

7. MIC CHECK

The signals inputted through the microphone are output via A/D - D/A.

7. MIC CHECK

7. MIC CHECK

マイク入力された信号をA/D-D/A経由で出力します。

8. EFFECT OFF / DISPLAY CHECK

This program is used to check the FL display section. The display condition varies as shown below according to the sub-menu operation. The signals are processed using EFFECT OFF (The L/R signal is output using ANALOG MAIN BYPASS.)

The video signal internal/external synchronization switching is controlled by the microprocessor. When the initial message is displayed and all the FL segments light up, it is switched to the internal synchronization but other than that it is forced to the external synchronization setting.

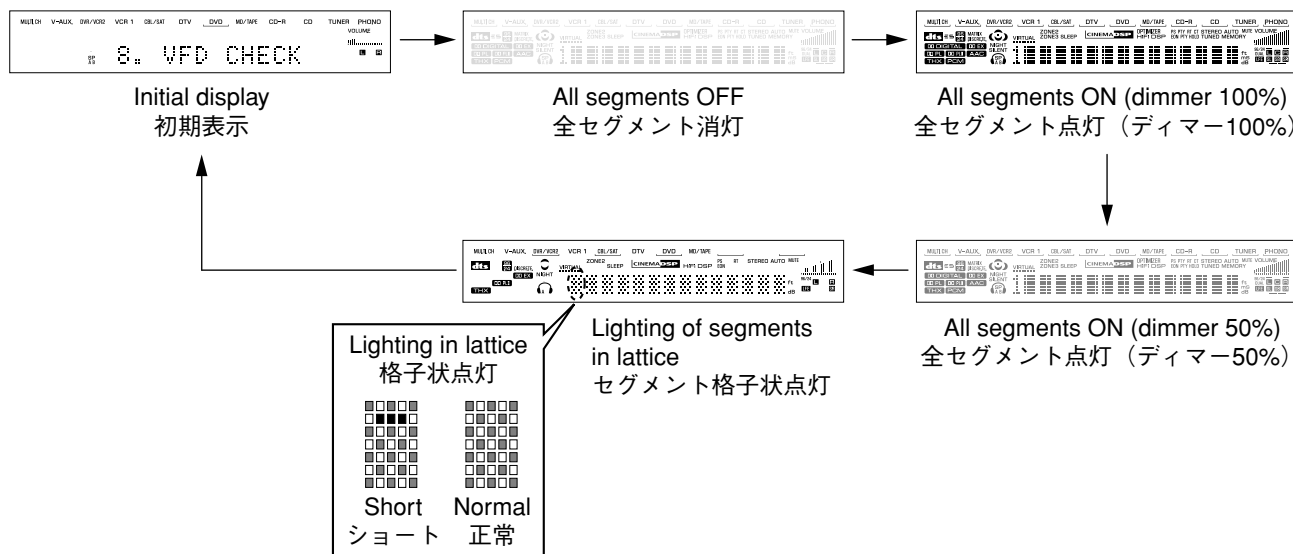
Also, except for the initial display, 128 pictographs for checking the OSD driver are used for the video signal output display.

8. EFFECT OFF / DISPLAY CHECK

FL表示部のチェックプログラムです。サブメニュー操作により、表示状態が以下のように変わります。

信号処理はEFFECT OFF (ANALOG MAIN BYPASSでL/Rを出力)です。マイコン制御による映像信号の内部/外部同期切替は、初期表示とFL全点灯時に内部同期となり、それ以外は強制外部同期となります。

また、初期表示以外で映像出力にOSDドライバー確認用128絵文字表示が出ます。



Segment conditions of the FL driver and the FL tube are checked by turning ON and OFF all segments. Next, the operation of the FL driver is checked by using the dimmer control. Then a short between segments next to each other is checked by turning ON and OFF all segments alternately (in lattice). (In the above example, the segments in the second row from the top are shorted.)

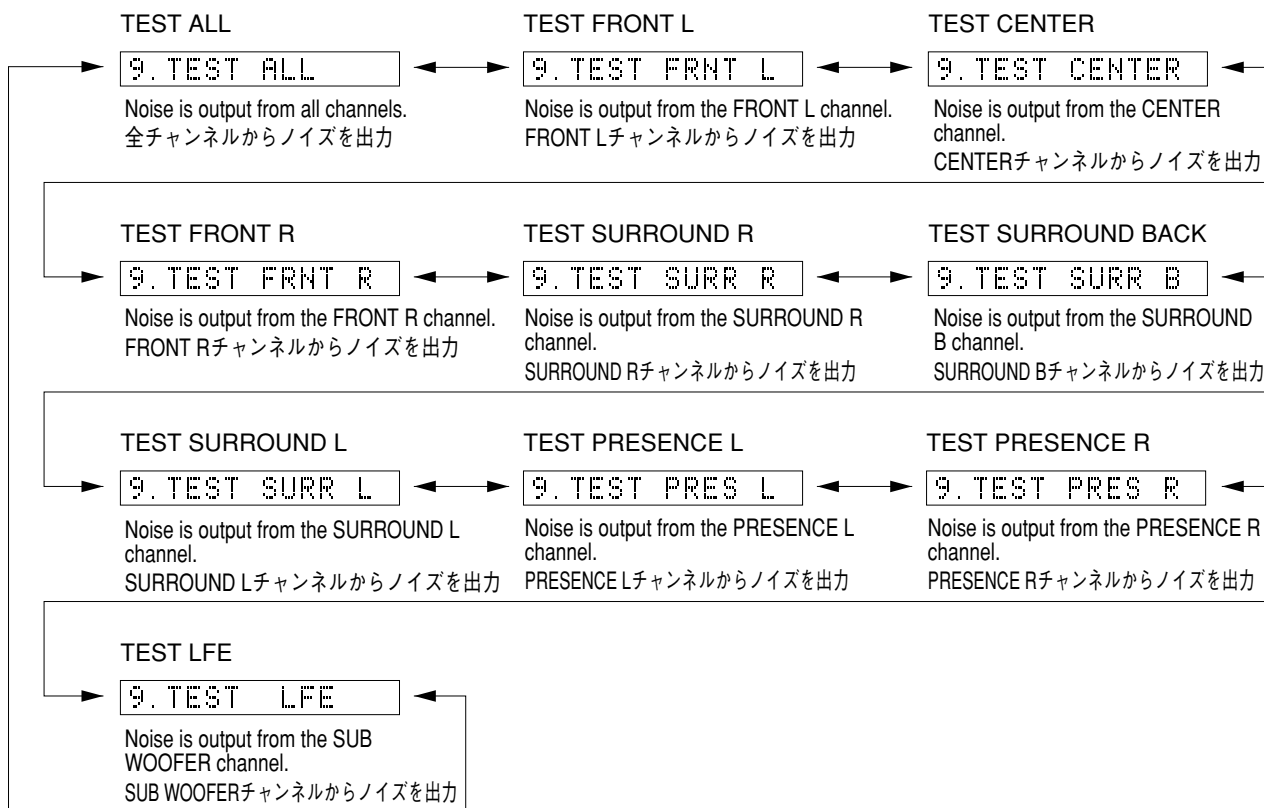
全セグメント消灯・全セグメント点灯によりFLドライバー、FL管のセグメントの不良を確認します。次に、ディマーコントロールによってFLドライバーの動作チェックを行います。さらに全セグメントを交互(格子状)に点灯/消灯することで、隣り合うセグメントのショートをチェックします。

9. MANUAL TEST

The noise generator with a built-in DSP outputs the test noise through the channels specified by the sub-menu. The noise frequency for LFE is 35 to 250 Hz. Other than that, the center frequency is 800Hz.

9. MANUAL TEST

DSP内蔵のノイズ発生回路によって、サブメニューで指定したチャンネルへテストノイズを出力します。LFE用のノイズ周波数は35～250Hz、それ以外は中心周波数800Hzとなります。

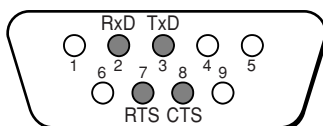


10. RS-232C

RX-V2400/RX-V2400RDS/DSP-AX2400 only.
This menu is used to check transmission of the data and the flow port of the hardware.
With the power turned off, short between pins No.2 (RxD) and No.3 (TxD), and between pins No.7 (RTS) and No.8 (CTS) of the RS-232C terminal. (Be sure to turn off the power when shorting the pins.)
Start DIAG and select the menu.
There are two sub-menu items.

10. RS-232C

RX-V2400/RX-V2400RDS/DSP-AX2400で使用します。
データ送受信チェック、ハードウェアフローポートチェックを行うメニューです。
パワーオフ状態にしてから、RS-232C端子の2ピン(RxD)と3ピン(TxD)、7ピン(RTS)と8ピン(CTS)をショートさせます。(ショートさせるときは必ず電源を切ってください。)
ダイアグを起動してメニューを選択します。
サブメニューは2つあります。



TxD/RxD DATA

The sub-menu is used to check transmission of the test data. "OK" appears when the data is transmitted properly and "NG" when it is not.
In this mode, NULL command transmission is continued after the test command is transmitted.

TxRx Data

テストの送受信チェックを行います。正常に送受信完了した場合、「OK」と表示します。正常に送受信しなかった場合は「NG」と表示します。
このモードでは、テストコマンド送信後、200msごとにNULLコマンド(無効なコマンド)を送信し続けます。

```
10 TxRxData:XX
```

HARD FLOW

This sub-menu is used to check operation of the flow port of the hardware. "OK" appears when the check result is satisfactory and "NG" when it is not.

Hard Flow

ハードウェアフローポートの動作チェックを行います。正常にチェック完了した場合、「OK」と表示します。正常にチェック完了しなかった場合は「NG」と表示します。

```
10 HardFlow:XX
```


11. FACTORY PRESET

This menu is used to reserve and inhibit initialization of the back-up RAM. The signals are processed using EFFECT OFF. (The L/R signal is output using ANALOG MAIN BYPASS.)

11 PRESET INHI



11 PRESET RSRV

PRESET INHIBIT (Initialization inhibited) / PRESET INHIBIT (初期化禁止)

RAM initialization is not executed. Select this sub-menu to protect the values set by the user.

RAMの初期化は行われません。ユーザーの設定値を保護するときは、こちらを選択してください。

PRESET RESERVED (Initialization reserved) / PRESET RESERVED (初期化予約)

Initialization of the back-up RAM is reserved. (Actually, initialization is executed the next time that the power is turned on.) Select this sub-menu to reset to the original factory settings or to reset the RAM. Any protection history will be cleared.

バックアップRAMの初期化が予約されます。(実際に初期化されるのは、次回の電源投入時です。)工場出荷時やRAMをリセットしたいときは、こちらを選択してください。

CAUTION: Before setting to the PRESET RESERVED, write down the existing preset memory content of the Tuner in a table as shown below. (This is because setting to the PRESET RESERVED will cause the user memory content to be erased.)

注意：PRESET RESERVEDを選んで初期化をする前に、チューナーのユーザーメモリー内容を下表に書き写してください。(初期化をすると、ユーザーメモリーの内容は消えてしまいます。)

Preset group	P1	P2	P3	P4	P5	P6	P7	P8
A								
B								
C								
D								
E								

• PRESET STATIONS / プリセット局

STATION		FM FACTORY PRESET DATA (MHz)		
PAGE	NO.	U, C	A, B, G, L, R, T, K	J
A/C/E	1	87.5	87.50	76.0
	2	90.1	90.10	83.0
	3	95.1	95.10	84.0
	4	98.1	98.10	86.0
	5	107.9	108.00	90.0
	6	88.1	88.10	78.0
	7	106.1	106.10	88.0
	8	107.9	108.00	82.1

STATION		AM FACTORY PRESET DATA (kHz)		
PAGE	NO.	U, C, R, T, K	A, B, G, L	J
B/D	1	630	630	630
	2	1080	1080	1080
	3	1440	1440	1440
	4	530	531	531
	5	1710	1611	1611
	6	900	900	900
	7	1350	1350	1350
	8	1400	1404	1404

12. AD DATA CHECK / FAN TEST

This menu is used to display the A/D conversion value of the main CPU which detects panel keys of the main unit and protection functions in % using the sub-menu. During signal processing, the condition before execution is maintained.

When K0/K1 menu is selected, keys become non-operable due to detection of the values of all keys. However, it is possible to advance to the next sub-menu by turning the VOLUME of the main unit. When using this function, note that turning the VOLUME more than 1 click would cause the volume value to change.

* The figures in the diagram are given as reference only.

DC/PS (protection detection)

DC: DC detect protection value (Normal value: 1 to 13)
 PS: Power supply voltage protection value (Normal value: 19 to 29)

* If DC or PS is out of the normal value range, the protection function works to turn off the power. (Reference voltage: 5V=100%)

DC:007 PS:025

THM/FAN OUT (temperature detection/fan drive level)

THM: 500% display of the voltage based on the temperature detected value.
 Reference voltage: 5V=500% (Normal value: 10 to 139)

Fan: Current fan drive level on the left and the past fan drive history on the right.

THM:101 Fan.../...

Display	H	M	L
fan drive level	HIGH	MID	LOW

REC-OUT (Select position)
 RX-V2400/RX-V2400RDS only

REC-OUT:166

[Table 1]

Display	REC OUT Select
0±2	TUNER
15±2	DTV
46±2	DVR/VCR2
61±2	CD-R
77±2	DVD
123±2	CD
138±2	CBL/SAT
169±2	VCR1
184±2	MD/TAPE
200±2	SOURCE

12. AD DATA CHECK / FAN TEST

本体パネルキー、プロテクションなどを検出しているメインCPUのA/D変換の値を、サブメニューで%表示します。信号処理は実行前の状態を維持します。K0/K1のメニューにすると、全キーの値を検出するためキー操作はできなくなりますが、本体のVOLUMEを回すことにより、次のサブメニューに進めることができます。このとき1クリック以上回すと、ボリューム値が変化するので注意してください。

※図中の数値は参考例です。

DC/PS (プロテクションの検出)

DC: DC検出プロテクションの値(正常値1~13)
 PS: 電源電圧プロテクションの値(正常値19~29)
 ※ DC、PSは正常値を外れるとプロテクションが働き、電源オフされます。
 (基準電圧: 5V=100%)

THM/FAN OUT (温度検出/ファン駆動レベル)

THM: 温度検出値で電圧の500%表示、
 基準電圧は5V (正常値: 10~139)
 Fan: 左側は現在のファン駆動レベル、右側は過去のファン駆動履歴

REC-OUT (選択位置表示)
 DSP-AX2400のみ

IMP SW/POWER LIMIT (Impedance/power limiter detection)

IMP: 8 or 6 ohm impedance setting

PL: Power limiter detection value

The voltage value of pin No. 135 of IC520 is displayed, using 5V/256 as standard.

Based on the input voltage value of pin No.135 of IC520, the output of pins No.6 (LC1) and No.7 (LC2) of IC505 is controlled.

IMP SW/POWER LIMIT (インピーダンス/パワーリミッターの検出)

IMP: インピーダンス設定値

PL: パワーリミッター検出の値

IC520 135ピンの電圧値を5V/256を基準にして表示します。

IC520 135ピンの入力電圧値により、IC505の6ピン(LC1)と7ピン(LC2)の出力を制御します。

Speaker impedance setting スピーカーインピーダンス設定		During normal operation 通常時	When limiter is operating リミッター動作時	Value for starting limiter operation リミッター動作開始値	Value for canceling limiter operation リミッター動作解除値
6 ohms	7CH STEREO or EXT8CH_INPUT	LC1=L LC2=H	LC1=H LC2=H	184	157
	Other than those on the above	LC1=L LC2=H	LC1=H LC2=L	184	157
8 ohms	7CH STEREO or EXT8CH_INPUT	LC1=L LC2=L	LC1=H LC2=L	J model = 184 U, C, A, B, G, L, R, T, K models = 163	157
	Other than those on the above	LC1=L LC2=L	LC1=L LC2=H	J model = 184 U, C, A, B, G, L, R, T, K models = 163	157

IMP:8 PL:029

K0/K1 (Panel key of main unit) [Remote control code: -]

A/D of the key fails to function properly when the standard value is deviated by $\pm 4\%$. In this case, check the constant of partial pressure resistor, solder condition, etc. Refer to table 2.

(Reference voltage: 5V=100%)

K0/K1 (本体パネルキー)

キーのA/Dは基準値から $\pm 4\%$ を外れると、正常な動きをしません。下表2をご覧になり、各キーの分圧抵抗の定数、ハンダ不良等の確認をしてください。

(基準電圧: 5V=100%)

K0:100 K1:100

[Table 2] RX-V2400RDS/RX-V1400RDS

Display	K0	K1
00+2	◁ PRESET/TUNING	KEY OFF
10±2	PRESET/TUNING ▷	SPEAKERS A
20±2	PRESET/TUNING	SPEAKERS B
30±2	FM/AM	INPUT MODE
40±2	MEMORY	A/B/C/D/E
50±2	TUNING MODE	TONE CONTROL
60±2	RDS MODE	EFFECT
70±2	RDS EON	KEY OFF
80±2	PTY MODE	KEY OFF
90±2	PTY START	KEY OFF
100	KEY OFF	KEY OFF

RX-V2400/DSP-AX2400/RX-V1400/HTR-5690/DSP-AX1400

Display	K0	K1
00+2	◁ PRESET/TUNING	-
10±2	PRESET/TUNING ▷	SPEAKERS A
20±2	PRESET/TUNING	SPEAKERS B
30±2	FM/AM	INPUT MODE
40±2	MEMORY	A/B/C/D/E
50±2	TUNING MODE	TONE CONTROL
60±2	-	EFFECT
100	KEY OFF	KEY OFF

FAN DRIVE TEST (For models so equipped)

HIGH

FAN TEST:HIGH

FAN DRIVE TEST (ファン駆動テスト)

HIGH: ファン駆動強

FAN DRIVE TEST (For models so equipped)

MID

FAN TEST:MID

FAN DRIVE TEST (ファン駆動テスト)

MID: ファン駆動中

FAN DRIVE TEST (For models so equipped)
LOW

FAN DRIVE TEST (ファン駆動テスト)
LOW : ファン駆動弱

FAN TEST:LOW

13. V CONV STATUS

The data received from the video conversion IC (TA1270) is displayed.

13. V CONV STATUS

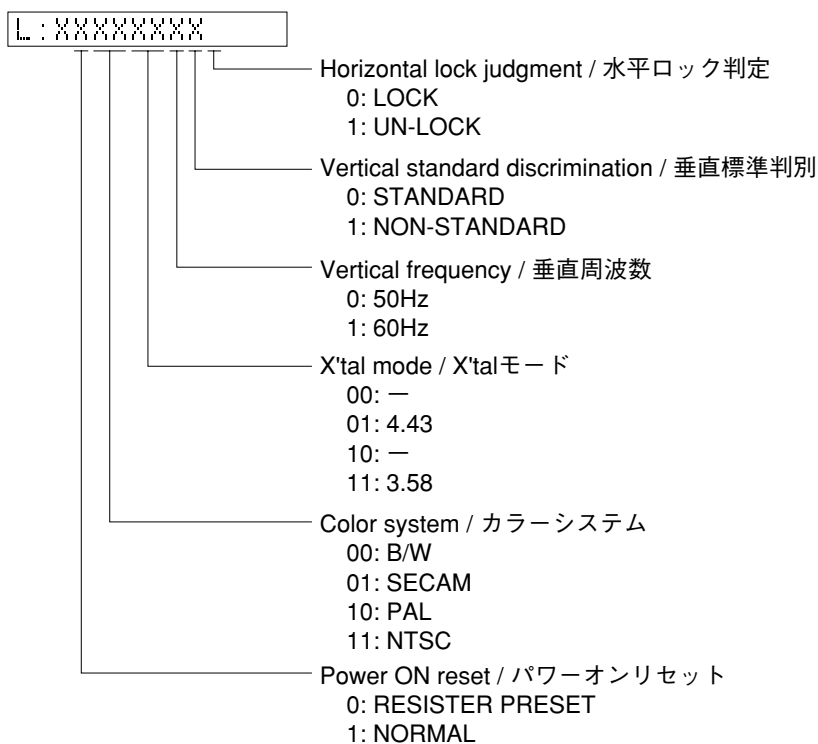
ビデオコンバージョンIC (TA1270)からの受信データを表示します。

LOW BYTE DATA

The status information of TA1270 is displayed in the binary notation.

LOW BYTE DATA

TA1270のステータス情報を2進数で表示します。



HIGH BYTE DATA

Not applied to these models.

HIGH BYTE DATA

このモデルには適用されません。

H:XXXXXXXX

14. IF STATUS (Input function status)

Using the sub-menu, the status data is displayed one after another in the hexadecimal notation.

During signal processing, the status before execution of this menu is maintained.

* Numeric values in the figure example are for reference.

IS1-2 (Internal status):

Indicates the status information of the microprocessor.

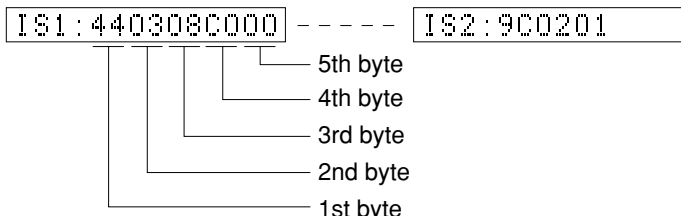
14. IF STATUS

サブメニュー操作により、以下のステータス情報を順次16進数で表示します。信号処理は、本メニュー実行前の状態を維持します。

※図中の数値は参考例です。

IS 1-2 (内部ステータス):

マイコンのステータス情報を表示します。



<1st byte> Digital input/output setting value
Upper 4 bits: REC OUT selected /
lower 4 bits: INPUT selected

<第1バイト>デジタル入出力設定値
上位4bit REC OUT選択 /
下位4bit INPUT選択

Value	Choice	Preset name
0	NONE	
1	OPT A	V-AUX
2	OPT B	CD
3	OPT C	DVD
4	OPT D	D-TV
6	OPT F	CBL/SAT
8	COAX A	CD
9	COAX B	DVD
A	COAX C	DVR/VCR2

<2nd byte> Fs information of reproduction signal

<第2バイト>再生信号のFs情報

Display	00	01	02	03	04	05	06	0A	0B	0C	0D
Fs (kHz)	Analog	32	44.1	48	64	88.2	96	Unknown NRM	Unknown DBL	Unknown QUAD	Not defined

<3rd byte> Audio code mode information of reproduction signal

<第3バイト>再生信号のオーディオコードモード情報

Display	00	01	02	03	04	05	06	07	08	09	0A	0B	0C	0D
Audio Code	MULTI MONO	1+1	1/0	2/0	3/0	2/1	3/1	2/2	3/2	2/3	3/3	OVER 6.1	MULTI PCE	Unknown

<4th byte> Format information of reproduction signal

<第4バイト>再生信号のフォーマット情報

*1: Analog processing used for digital reproduction is not possible because of a commercial bit or 4-ch audio reason.

*1: 業務用ビットや4chオーディオなどの理由で、デジタル再生できずアナログ処理されます。

Display	Signal format
00	Analog (Unlock)
01	Incorrect digital (*1)
10	PCM Audio
20	Digital Data
21	IEC1937 Data
22	None PCM
23	Unknown
50	dts
51	Red dts
54	dts-ES MATRIX
58	dts-ES DISCRETE
5C	dts-ES (Both flag)
60	AAC
C0	Dolby Digital
C1	D.D. Karaoke
C4	D.D.6.1 (D.D.EX)

<5th byte> Signal processing status information
 *2: With digital signals other than 32kHz, 44.1kHz and 48kHz, through processing method is used for reproducible signals.

<第5バイト>信号処理ステータス情報
 *2: 32kHz、44.1kHz、48kHz以外のデジタル信号の場合、再生可能な信号についてはスルー処理されます。

bit7	MUTE request	bit3	-
bit6	Red dts flashing	bit2	Through & bypass (*2)
bit5	6.1/EX processing	bit1	-
bit4	FULL MUTE (ON: 1)	bit0	dts analog mute

CS1-5: Indicates channel status information of the input signal (IEC60958).

CS 1-5: 入力信号のIEC60958チャンネルステータス情報を表示します。

CS1:0299000200 ----- CS5:00000000

BS1-5: Indicates information of the bit stream included in the dts signal.

BS1-5: dts信号に含まれるビットストリームインフォメーション情報を表示します。

BS1:000070FFFF ----- BS5:C4

TI1-2:

TI1-2:

TI1:FFFFFFFFFFFF ----- TI2:FF

MTT: Mute Trigger

MTT: Mute Trigger

MTT:0020000007

Byte No.	Function
1	Mute condition
2	Factor of the last mute
3	Error count of YSS930-FSCNT
4	Mute count by YSS930-FSCNT
5	Error factor of down load of CS49329

15. DSP RAM CHECK

This menu is used to self-diagnose whether or not the bus connection for the YSS930 and the external RAM is made properly.

During signal processing, the status before execution of this menu is maintained.

The address bus and the data bus are checked and the connection condition is displayed.

When no error is detected, "NoEr" appears on display.

YSS930 Bus Check

```
YSS  BUS:NoEr
```

Display	Description
WAIT	Bus is being checked.
NoEr	No error detected.
DATA	Data bus shorted or open.
RSCS	/RAS or /CAS shorted, or open.
ADDR	Address bus shorted or open.

15. DSP RAM CHECK

YSS930と外付けRAMとのバス接続の正否を自己診断します。

信号処理は、このメニューを実行する前の状態を維持します。

アドレスバス、データバスのチェックを行い、接続正否を表示します。

エラーが検出されなかった場合は、“NoEr”と表示されません。

YSS930 BUS CHECK

表示	判断
WAIT	バスチェック中
NoEr	不良検出なし
DATA	データバスの短絡・解放
RSCS	/RAS または /CAS の短絡・解放
ADDR	アドレスバスの短絡・解放

SECOND DECODER (DA601) BUS CHECK

```
SD  BUS:NoEr
```

Display	Description
Boot	Booting of DA601 being executed (When booting is continued, possibility is that there is a defective part or poor connection of the microprocessor DA601 SDRAM.)
NoEr	Booting of DA601 has been completed properly.

SECOND DECODER (DA601) BUS CHECK

表示	判断
Boot	DA601 のブート中 (ブートし続ける場合は、マイコン DA601 SDRAM の部品不良または接続不良の可能性あり)
NoEr	DA601 のブートが正常に終了

16. PROTECTION SET

Not applied to these models.

16. PROTECTION SET

このモデルには適用されません。

17. SOFT SW

This menu is used to switch the function settings on P.C.B. through the software so as to activate the product.

The protection function follows the P.C.B. settings. When connected to AC or in the maker preset state, the unit is initialized to the P.C.B. setting. Display of each function after initialization varies depending on settings on P.C.B. The operation mode can be changed by selecting the sub-menu and then using the STRAIGHT key. With SOF selected for the SW mode, the settings become effective.

SW MODE

PCB or SOFT can be selected.

17. SW : PCB

MODEL SETTING

V1400 or V2400 can be selected.

17. MODEL : V1400

TUNER DESTINATION

J, UC, ALG or R can be selected.

17. DEST : UC

TUNER EXIST

NOT or EXIST can be selected.

17. TUNER : EXIST

RDS EXIST

NOT or EXIST can be selected.

17. RDS : NOT

ZONE 2 EXIST

NOT or EXIST can be selected.

17. ZONE2 : NOT

VIDEO FORMAT

NTSC or PAL can be selected.

17. VIDEO : NTSC

17. SOFT SW

P.C.B.上の機能設定をソフト的に切り替えて、製品を動作させる機能です。

プロテクション機能は、P.C.B.の設定に従います。AC接続またはメーカープリセットで、P.C.B.の設定に初期化されます。初期化後の各機能の表示は、P.C.B.上の設定によります。操作は、サブメニューを選んだ後、STRAIGHTキーで切り替えます。SWモードをSOFTにすると、設定が有効になります。

SW MODE

PCBまたはSOFTを選択できます。

MODEL SETTING

V1400、V2400のいずれかを選択できます。

TUNER DESTINATION

J、UC、ALG、Rのいずれかを選択できます。

TUNER EXIST

NOTまたはEXISTを選択できます。

RDS EXIST

NOTまたはEXISTを選択できます。

ZONE 2 EXIST

NOTまたはEXISTを選択できます。

VIDEO FORMAT

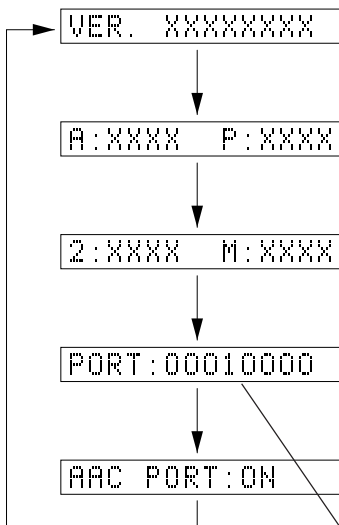
NTSCまたはPALを選択できます。

18. MICROPROCESSOR INFORMATION

The version, checksum and the port specified by the microprocessor are displayed. The signal is processed using EFFECT OFF. The checksum is obtained by adding the data at every 16 bits for each program area and expressing the result as a 4-figure hexadecimal data.

18. マイコン情報

サブメニューは5つあります。プログラムのバージョン、チェックサム、マイコンの指定ポートを表示します。信号はエフェクトOFFです。チェックサムは、プログラムエリア別にデータを16ビットごとに加算していき、4桁の16進データで現したものです。



Version / バージョン情報

Release 1 figure / Main 2 figures / DSP 2 figures / Communication 1 figure / Boot manufacturer 1 figure / Boot 232C 1 figure

Checksum / チェックサム表示

A : All area P : Program area

Checksum / チェックサム表示

2 : Boot 232C M : Boot manufacturer

Check of port setting for judging microprocessor function

マイコンの機能判定用ポート設定確認

Display of AAC function detection port state

AAC機能検出ポート状態表示

“PORT:0 0 0 0 0 0 0”
bit 7 6 5 4 3 2 1 0

- Model type 0 (*1)
- Model type 1 (*1)
- Tuner mode 0 (*2)
- Tuner mode 1 (*2)
- Tuner with (1) / without (0)
- RDS with (1) / without (0)
- ZONE2 with (1) / without (0)
- VIDEO format: PAL (1) / NTSC (0)

*1 (Model type)

Type 0	Type 1	Model type
0	0	V1400
1	0	V2400

*2 (Tuner mode)

Tuner mode 0	Tuner mode 1	Tuner frequency
0	0	AM: 531-1611kHz/9kHz FM: 76.0-90.0MHz/100kHz
0	1	AM: 531-1611kHz/9kHz FM: 87.5-108.0MHz/50kHz
1	0	AM: 530-1710kHz/10kHz FM: 87.5-107.9MHz/200kHz
1	1	R destination, Port6: LOW AM: 530-1710kHz/10kHz FM: 87.5-108.0MHz/100kHz HIGH AM: 531-1611kHz/9kHz FM: 87.5-108.0MHz/50kHz

■ AMP ADJUSTMENT / アンプ部調整

Confirmation of Idling Current of Amp

Unit

- Right after power is turned on, confirm that the voltage across the terminals of R319 (Main Lch), R320 (Main Rch), R325 (Center), R326 (SURROUND Lch), R327 (SURROUND Rch), R321 (SURROUND BACK Lch), R322 (SURROUND BACK Rch) are between 0.1mV and 10.0mV.
- If it exceeds 10.0mV, open (cutoff) R291 (Main Lch), R292 (Main Rch), R295 (Center), R296 (Surround Lch), R297 (Surround Rch), R293 (Surround Back Lch), R294 (Surround Back Rch) and reconfirm the voltage.

Attention

If the idle current exceeds 10.0mV after an amplifier repair, first check for a defective component before cutting the bias resistor.

- Confirm that the voltage is 0.2 mV ~ 15.0 mV after 60 minutes.

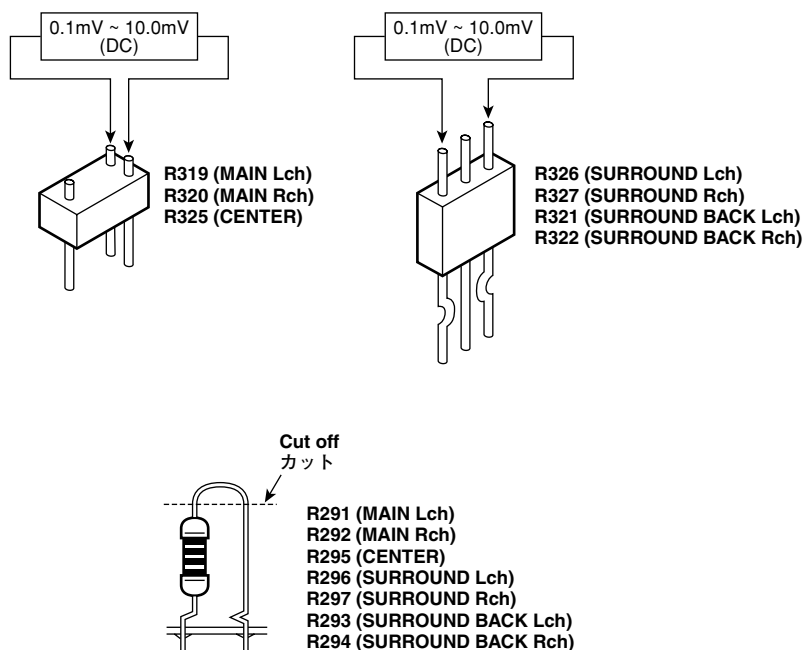
アンプユニットのアイドル電流の確認

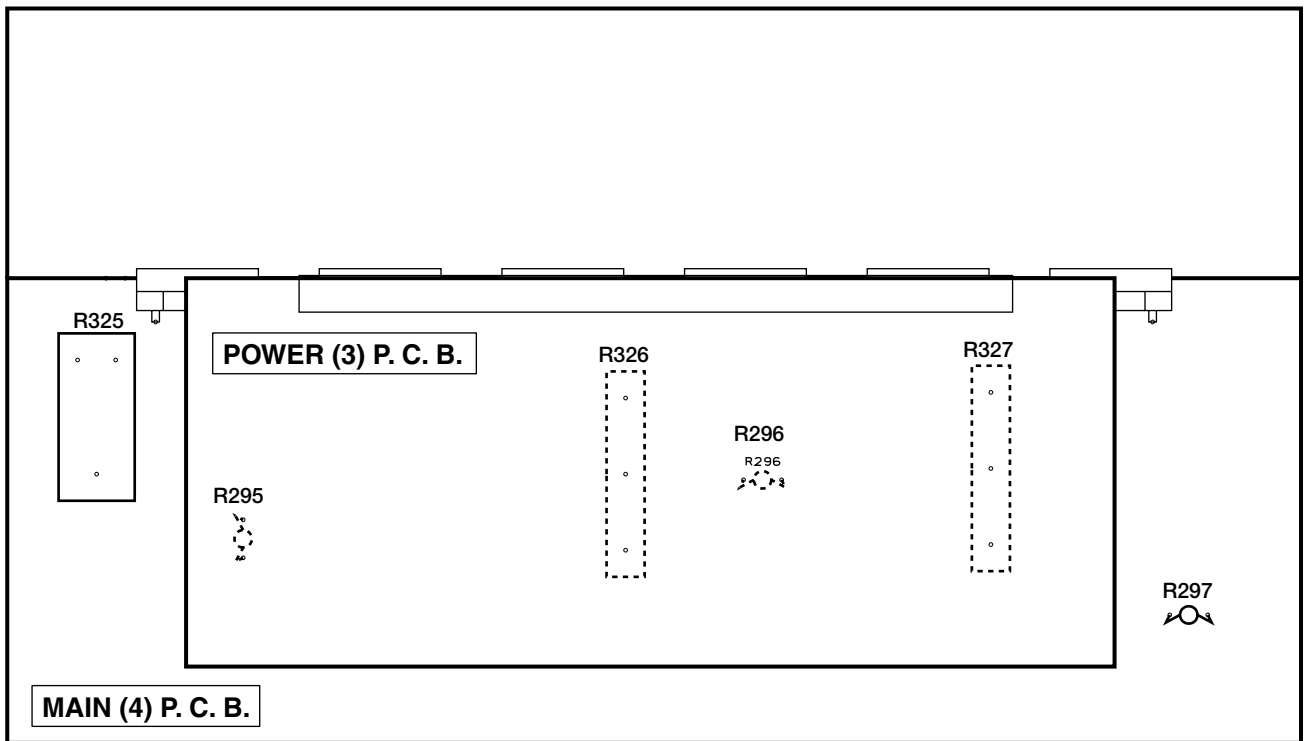
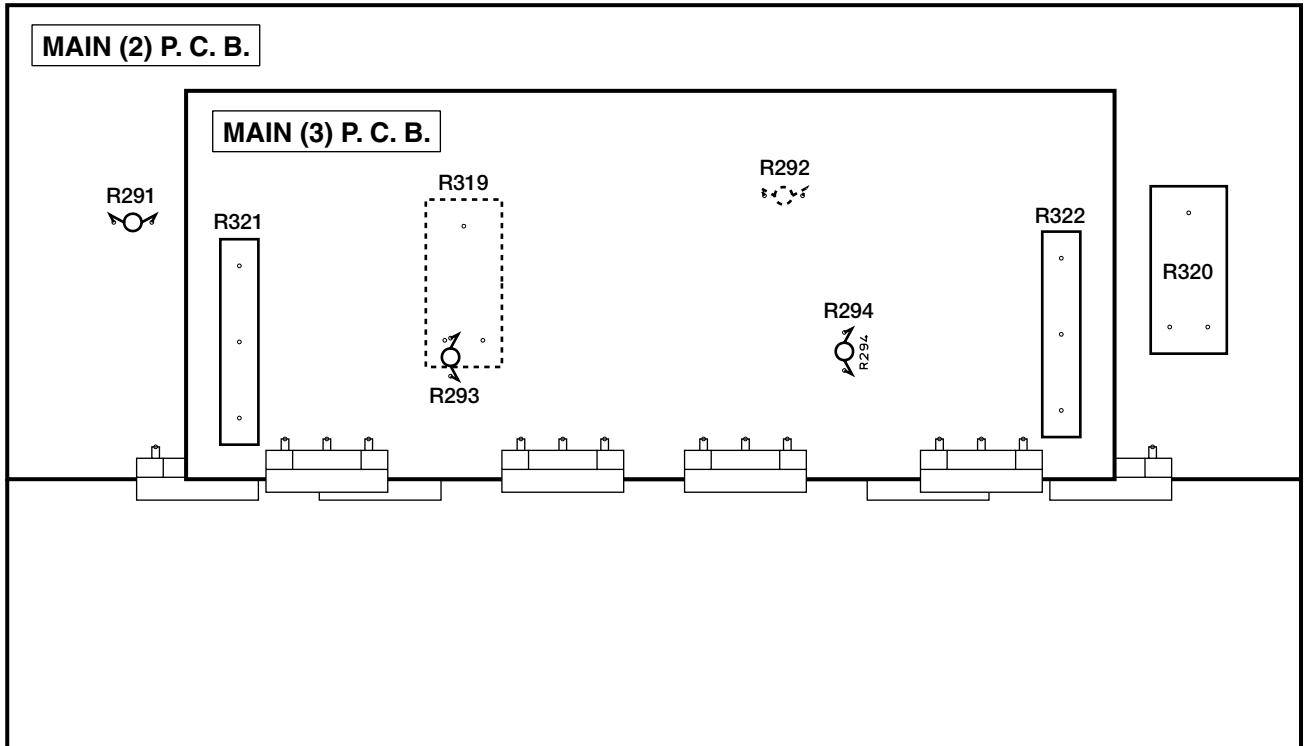
- 電源投入直後、R319 (MAIN Lch)、R320 (MAIN Rch)、R325 (CENTER)、R326 (SURROUND Lch)、R327 (SURROUND Rch)、R321 (SURROUND BACK Lch)、R322 (SURROUND BACK Rch)の端子間電圧を測定し、0.1mVから10.0mVの間であることを確認してください。
- 電圧が10mVを超えている場合は、R291 (MAIN Lch)、R292 (MAIN Rch)、R295 (CENTER)、R296 (SURROUND Lch)、R297 (SURROUND Rch)、R293 (SURROUND BACK Lch)、R294 (SURROUND BACK Rch)をカットし、電圧を再確認してください。

注意

パワーアンプ修理後に10.0mVを超えている場合は、抵抗をカットする前に故障箇所を調べてください。

- 60分後、電圧が0.2mV～15.0mVであることを確認してください。

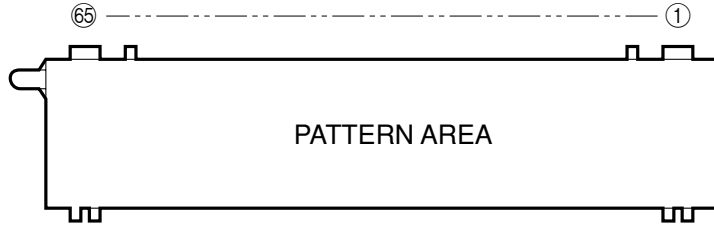




RX-V2400/RX-V2400RDS/DSP-AX2400
 RX-V1400/RX-V1400RDS/HTR-5690/DSP-AX1400

■ DISPLAY DATA

● V901 : 16-BT-112GNK (WB585800)

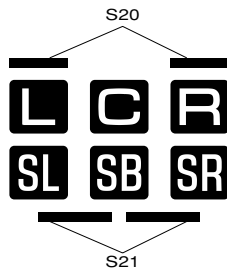
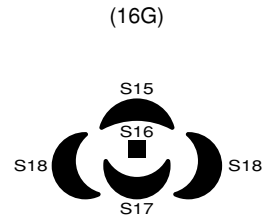
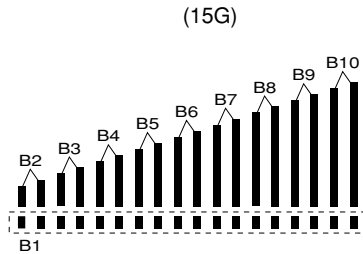
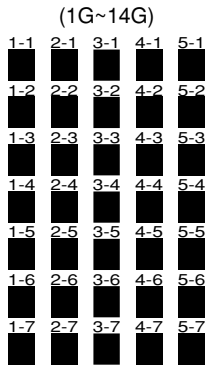
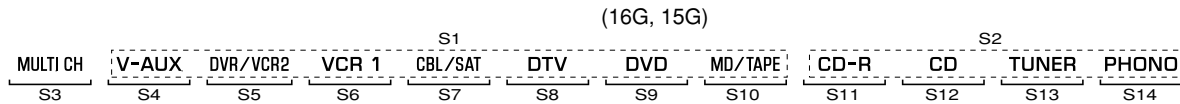
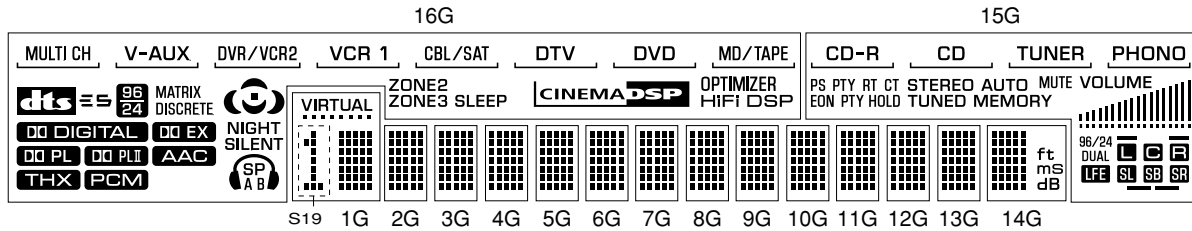


● PIN CONNECTION



















Pin No.	65	64	63	62	61	60	59	58	57	56	55	54	53	52	51	50	49	48	47	46	45	44	43	42	41	40	39	38	37	36	35	34	
Connection	F2	NX	NP	NP	P38	P37	P36	P35	P34	P33	P32	P31	P30	P29	P28	P27	P26	P25	P24	P23	P22	P21	P20	P19	P18	P17	P16	P15	P14	P13	P12	P11	
Pin No.	33	32	31	30	29	28	27	26	25	24	23	22	21	20	19	18	17	16	15	14	13	12	11	10	9	8	7	6	5	4	3	2	1
Connection	P10	P9	P8	P7	P6	P5	P4	P3	P2	P1	NC	NC	NC	16G	15G	14G	13G	12G	11G	10G	9G	8G	7G	6G	5G	4G	3G	2G	1G	NP	NP	NX	F1

Note : 1) F1, F2 Filament 2) NP No pin 3) NC No connection 4) NX No extended 5) 1G ~ 16G Grid 6) P1 ~ 38 Anode

● GRID ASSIGNMENT



● ANODE CONNECTION

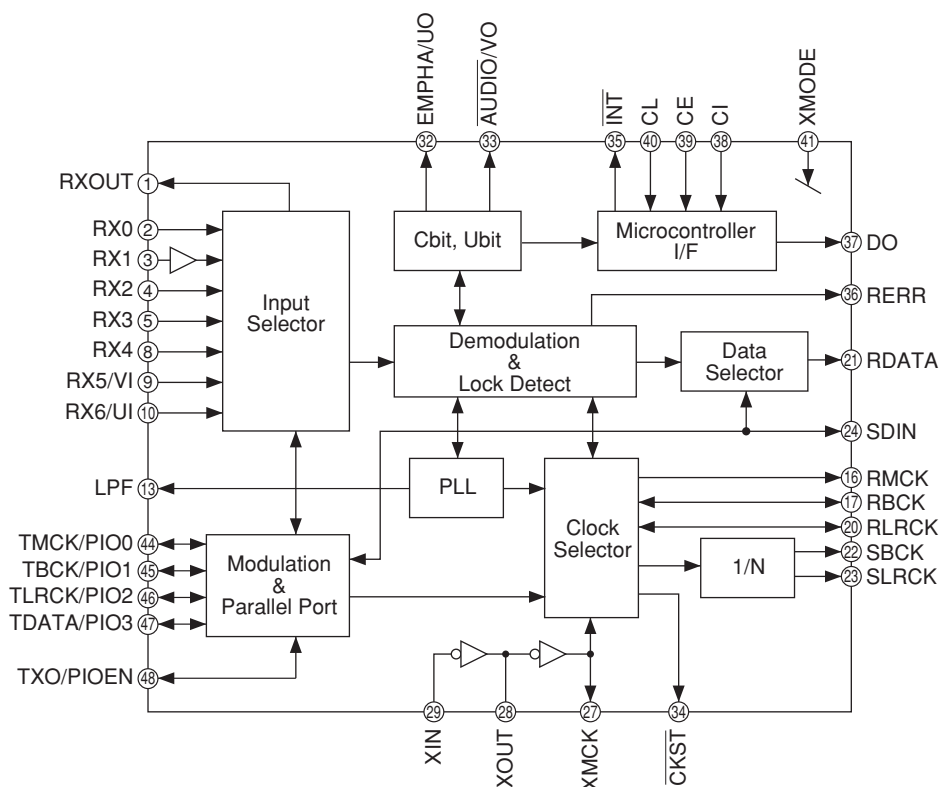
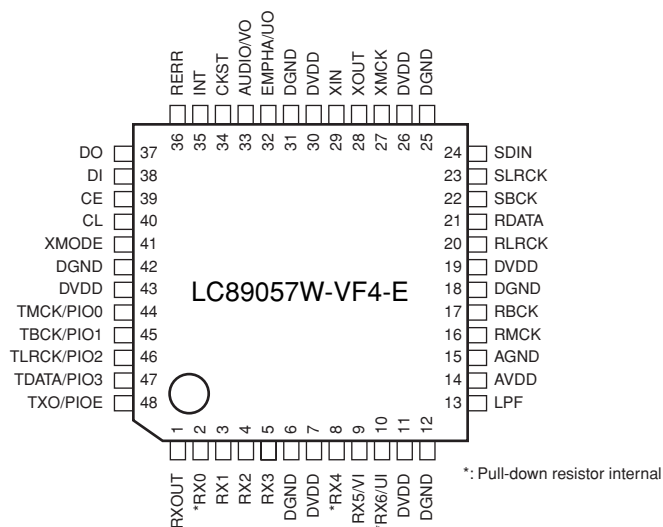
	16G	15G	14G	13G~2G	1G
P1	S1	S2	1-1	1-1	1-1
P2	S4	S11	2-1	2-1	2-1
P3	S5	S12	3-1	3-1	3-1
P4	S6	S13	4-1	4-1	4-1
P5	S7	S14	5-1	5-1	5-1
P6	S8	PS	1-2	1-2	1-2
P7	S9	PTY	2-2	2-2	2-2
P8	S10	RT	3-2	3-2	3-2
P9	MULTI CH	CT	4-2	4-2	4-2
P10	S3	EON	5-2	5-2	5-2
P11	S15	PTY HOLD	1-3	1-3	1-3
P12	S16	STEREO	2-3	2-3	2-3
P13	S17	TUNED	3-3	3-3	3-3
P14	S18	AUTO	4-3	4-3	4-3
P15		MEMORY	5-3	5-3	5-3
P16	ES	MUTE	1-4	1-4	1-4
P17		VOLUME	2-4	2-4	2-4
P18	MATRIX	B1	3-4	3-4	3-4
P19	DISCRETE	B2	4-4	4-4	4-4
P20		B3	5-4	5-4	5-4
P21		B4	1-5	1-5	1-5
P22		B5	2-5	2-5	2-5
P23		B6	3-5	3-5	3-5
P24		B7	4-5	4-5	4-5
P25		B8	5-5	5-5	5-5
P26		B9	1-6	1-6	1-6
P27	NIGHT	B10	2-6	2-6	2-6
P28	SILENT	96/24	3-6	3-6	3-6
P29		DUAL	4-6	4-6	4-6
P30	SP		5-6	5-6	5-6
P31	A	S20	1-7	1-7	1-7
P32	B		2-7	2-7	2-7
P33	ZONE2		3-7	3-7	3-7
P34	ZONE3		4-7	4-7	4-7
P35	SLEEP		5-7	5-7	5-7
P36			ft	–	S19
P37	OPTIMIZER		ms	–	VIRTUAL
P38	HiFi DSP	S21	dB	–	–

RX-V2400/RX-V2400RDS/DSP-AX2400
 RX-V1400/RX-V1400RDS/HTR-5690/DSP-AX1400

IC DATA

IC509: LC89057W-VF4-E (DSP P.C.B)

Digital Audio Interface Transceiver



RX-V2400/RX-V2400RDS/DSP-AX2400
 RX-V1400/RX-V1400RDS/HTR-5690/DSP-AX1400

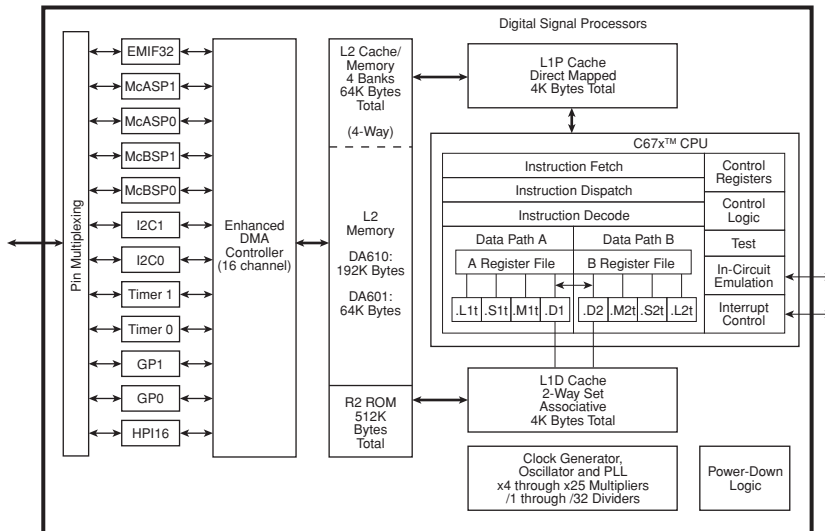
IC509: LC89057W-VF4-E (DSP P.C.B)
Digital Audio Interface Transceiver

No.	Name	I/O	Function
1	RXOUT	O	Input bi-phase selection data output pin
2	RX0	Is	TTL-compatible digital data input pin
3	RX1	I	Coaxial-compatible digital data input pin with built-in amplifier
4	RX2	Is	TTL-compatible digital data input pin
5	RX3	Is	TTL-compatible digital data input pin
6	DGND		Digital GND
7	DVDD		Digital power supply
8	RX4	Is	TTL-compatible digital data input pin
9	RX5/VI	Is	TTL-compatible digital data / Validity flag input pin for modulation
10	RX6/UI	Is	TTL-compatible digital data / User data input pin for modulation
11	DVDD		PLL digital power supply
12	DGND		PLL digital GND
13	LPF	O	PLL loop filter connection pin
14	ACDD		PLL analog power supply
15	AGND		PLL analog GND
16	RMCK	O	R system clock output pin (256fs, 512fs, XIN, VCO)
17	RBCK	O/I	R bit clock input/output pin
18	DGND		Digital GND
19	DVDD		Digital power supply
20	RLRCK	O/I	R LR clock input/output pin (fs)
21	RDATA	O	Serial audio data input pin
22	SBCK	O	S bit clock output pin (32fs, 64fs, 128fs)
23	SLRCK	O	S LR clock output pin (fs/s, fs, 2fs)
24	SDIN	Is	Serial audio data input pin
25	DGND		Digital GND
26	DVDD		Digital power supply
27	XMCK	O	Oscillation amplifier output pin
28	XOUT	O	Crystal resonator connection output pin
29	XIN	I	Crystal resonator connection, external supply clock input pin (24.576 MHz or 12.288 MHz)
30	DVDD		Digital power supply
31	DGND		Digital GND
32	EMPHA/UO	I/O	Emphasis information / U data output / Chip address setting pin
33	AUDIO/VO	I/O	Non-PCM output / V flag output / Chip address setting pin
34	CKST	I/O	Clock switch transition period signal / Demodulation master or slave function switch pin
35	INT	I/O	Microcontroller interrupt output / Modulation or general-purpose I/O switch pin
36	RERR	O	PLL clock error, data error flag output
37	DO	O	Microcontroller I/F read data output pin (3-state)
38	DI	Is	Microcontroller I/F write data input pin
39	CE	Is	Microcontroller I/F chip enable input pin
40	CL	Is	Microcontroller I/F clock input pin
41	XMODE	Is	System reset input pin
42	DGND		Digital GND
43	DVDD		Digital power supply
44	TMCK/PIO0	I/O	Modulation 256fs system clock input / General-purpose I/O input/output pin
45	TMCK/PIO1	I/O	Modulation 64fs bit clock input / General-purpose I/O input/output pin
46	TLRCK/PIO2	I/O	Modulation fs clock input / General-purpose I/O input/output pin
47	TLRCK/PIO3	I/O	Modulation serial audio data input / General-purpose I/O input/output pin
48	TXO/PIOEN	O/I	Modulation data output / General-purpose I/O enable input pin

- 1) Input/output I or O = -0.3 to 3.6V, Is = -0.3 to 5.5V
- 2) Pins 32 and 33 are latch address setting input pins when pin 41 = "L".
- 3) Pin 34 is a demodulation function master or slave setting input pin when pin 41 = "L".
- 4) Pin 35 is a modulation function or general-purpose I/O function switch setting input pin when pin 41 = "L".
- 5) Perform ON/OFF for all power supplies with the same timing as a latch-up countermeasure.

IC512: D601A002PYP180 (DSP P.C.B)

Decoder



No.	Name	I/O	Function
1	GP0[4]/(EXT_INT4)	IOZ	General purpose I/O port 4
2	GP0[6]/(EXT_INT6)	IOZ	General purpose I/O port 6
3	CVDD	S	1.2V power supply
4	VSS	GND	Ground
5	DVDD	S	3.3V power supply
6	GP0[5]/(EXT_INT5)	IOZ	General purpose I/O port 5
7	GP0[7]/(EXT_INT7)	IOZ	General purpose I/O port 7
8	CLKS1	I	McBSP1 external clock source
9	DVDD	S	3.3V power supply
10	VSS	GND	Ground
11	CVDD	S	1.2V power supply
12	TINP1/AHCLKX0	I	Timer 1 Input
13	TOUT1/AXRO[4]/AXR1[11]	O	Timer 1 Output
14	CVDD	S	1.2V power supply
15	VSS	GND	Ground
16	CLKX0/ACLKX0	IOZ	McASP0 Transmission BCLK
17	TINP0/AXRO[3]/AXR1[12]	I	Timer 0 Input
18	TOUT0/AXRO[2]/AXR1[13]	O	Timer 0 Output
19	ACLKR0	IOZ	McASP0 Reception BCLK
20	AXRO[1]	IOZ	McASP0 Transmission/reception data 1
21	AFSX0	IOZ	McASP0 Transmission LRCLK
22	CVDD	S	1.2V power supply
23	VSS	GND	Ground
24	AFSR0	IOZ	McASP0 Reception LRCLK
25	DVDD	S	3.3V power supply
26	VSS	GND	Ground
27	AXRO[0]	IOZ	McASP0 Transmission/reception data 0
28	AHCLKR0	I	McASP0 Reception MCLK
29	CVDD	S	1.2V power supply
30	VSS	GND	Ground
31	FSX1	IOZ	McBSP1 Transmission Frame Sync (Input in SPI slave state)
32	DX1	O/Z	McBSP1 Transmission data
33	CLKX1	IOZ	McBSP1 Transmission clock (Input in SPI slave state)
34	VSS	GND	Ground
35	CVDD	S	1.2V power supply
36	CLKR1	IOZ	McBSP1 Reception clock
37	DR1	I	McBSP1 Reception data
38	FSR1	IOZ	McBSP1 Reception Frame Sync
39	VSS	GND	Ground
40	CVDD	S	1.2V power supply

IC512: D601A002PYP180 (DSP P.C.B)

Decoder

No.	Name	I/O	Function
41	SCL0	IOZ	12C0 clock
42	SDA0	IOZ	12C0 data
43	CVDD	S	1.2V power supply
44	DVDD	S	3.3V power supply
45	VSS	GND	Ground
46	CVDD	S	1.2V power supply
47	DVDD	S	3.3V power supply
48	VSS	GND	Ground
49	VSS	GND	Ground
50	CVDD	S	1.2V power supply
51	CVDD	S	1.2V power supply
52	VSS	GND	Ground
53	CVDD	S	1.2V power supply
54	VSS	GND	Ground
55	DVDD	S	3.3v power supply
56	ARDY	I	Asynchronous RAM Ready input
57	/CE3	O/Z	For external memory area, Enable 3
58	DVDD	S	3.3V power supply
59	VSS	GND	Ground
60	CVDD	S	1.2V power supply
61	/CE2	O/Z	For external memory area, Enable 2
62	EA2	O/Z	For external memory, Address 2
63	EA3	O/Z	For external memory, Address 3
64	EA4	O/Z	For external memory, Address 4
65	DVDD	S	3.3V power supply
66	VSS	GND	Ground
67	CVDD	S	1.2v power supply
68	EA5	O/Z	For external memory, Address 5
69	EA6	O/Z	For external memory, Address 6
70	EA7	O/Z	For external memory, Address 7
71	EA8	O/Z	For external memory, Address 8
72	DVDD	S	3.3V power supply
73	VSS	GND	Ground
74	EA9	O/Z	For external memory, Address 9
75	/SDRAS	O/Z	Asynchronous RAM OE / SDRAM RAS / SBS RAM OE
76	EA10	O/Z	For external memory, Address 10
77	ECLKOUT	O/Z	Clock output for EMIF
78	ECLKIN	I	Clock input for EMIF
79	/SDCAS	O/Z	Asynchronous RAM RE / SDRAM CAS / SBSRAM ADS
80	CVDD	S	1.2V power supply
81	VSS	GND	Ground
82	CLKOUT2/GP0[2]	O/Z	Half clock output of device Speed
83	/SDWE	O/Z	Asynchronous RAM WE / SDRAM WE / SBSRAM WE
84	DVDD	S	3.3V power supply
85	VSS	GND	Ground
86	EA11	O/Z	For external memory, Address 11
87	DVDD	S	3.3V power supply
88	VSS	GND	Ground
89	CVDD	S	1.2V power supply
90	EA14	O/Z	For external memory, Address 14
91	EA13	O/Z	For external memory, Address 13
92	EA16	O/Z	For external memory, Address 16
93	EA12	O/Z	For external memory, Address 12
94	EA15	O/Z	For external memory, Address 15
95	EA18	O/Z	For external memory, Address 18
96	CVDD	S	1.2V power supply
97	VSS	GND	Ground
98	DVDD	S	3.3V power supply

IC512: D601A002PYP180 (DSP P.C.B)

Decoder

No.	Name	I/O	Function
99	EA17	O/Z	For external memory, Address 17
100	EA19	O/Z	For external memory, Address 19
101	EA20	O/Z	For external memory, Address 20
102	/CE0	O/Z	For external memory area, Enable 0
103	/CE1	O/Z	For external memory area, Enable 1
104	CVDD	S	1.2V power supply
105	CVDD	S	1.2V power supply
106	VSS	GND	Ground
107	DVDD	S	3.3V power supply
108	/BE1	O/Z	For external memory, Byte Enable Control 1
109	EA21	O/Z	For external memory, Address 21
110	/BE0	O/Z	For external memory, Byte Enable Control 0
111	ED13	IOZ	For external memory, Data 13
112	ED15	IOZ	For external memory, Data 15
113	ED14	IOZ	For external memory, Data 14
114	DVDD	S	3.3V power supply
115	VSS	GND	Ground
116	CVDD	S	1.2V power supply
117	ED11	IOZ	For external memory, Data 11
118	ED12	IOZ	For external memory, Data 12
119	ED9	IOZ	For external memory, Data 9
120	ED10	IOZ	For external memory, Data 10
121	ED6	IOZ	For external memory, Data 6
122	ED7	IOZ	For external memory, Data 7
123	ED8	IOZ	For external memory, Data 8
124	CVDD	S	1.2V power supply
125	VSS	GND	Ground
126	DVDD	S	3.3V power supply
127	ED4	IOZ	For external memory, Data 4
128	ED5	IOZ	For external memory, Data 5
129	ED3	IOZ	For external memory, Data 3
130	ED2	IOZ	For external memory, Data 2
131	ED1	IOZ	For external memory, Data 1
132	ED0	IOZ	For external memory, Data 0
133	CVDD	S	1.2V power supply
134	VSS	GND	Ground
135	GP0[1]	IOZ	General purpose I/O0 port 1
136	BUSREQ	O/Z	For external memory, Bus request output
137	/HOLDA	O/Z	For external memory, Hold request approval to host
138	/HOLD	I	For external memory, Hold request from host
139	AFSR1	IOZ	McASP1 reception LRCLK
140	ACLKR1	IOZ	McASP1 reception BCLK
141	DVDD	S	3.3V power supply
142	VSS	GND	Ground
143	AXR1[0]	IOZ	McASP1 transmission/reception data 0
144	AXR1[1]	IOZ	McASP1 transmission/reception data 1
145	AXR1[2]	IOZ	McASP1 transmission/reception data 2
146	AXR1[3]	IOZ	McASP1 transmission/reception data 3
147	AXR1[4]	IOZ	McASP1 transmission/reception data 4
148	VSS	GND	Ground
149	CVDD	S	1.2V power supply
150	AXR1[5]	IOZ	McASP1 transmission/reception data 5
151	AXR1[6]	IOZ	McASP1 transmission/reception data 6
152	AXRO[8]/AXR1[7]	IOZ	McASP1 transmission/reception data 7
153	ACLKX1	IOZ	McASP1 transmission BCLK
154	AMUTE1	OZ	McASP1 MUTE output
155	AFSX1	IOZ	McASP1 transmission LRCLK
156	GP0[0]	IOZ	General purpose I/O0 port 0 (SPI ready signal output Active: H)

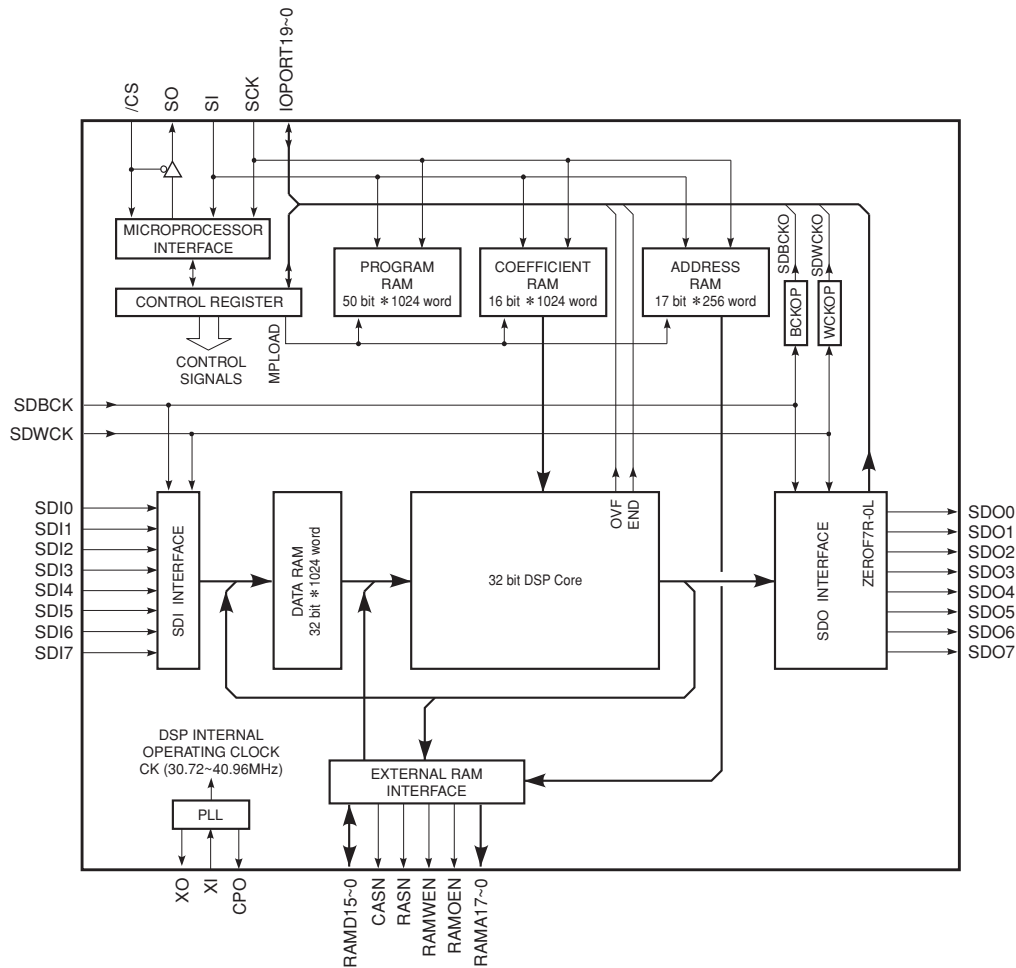
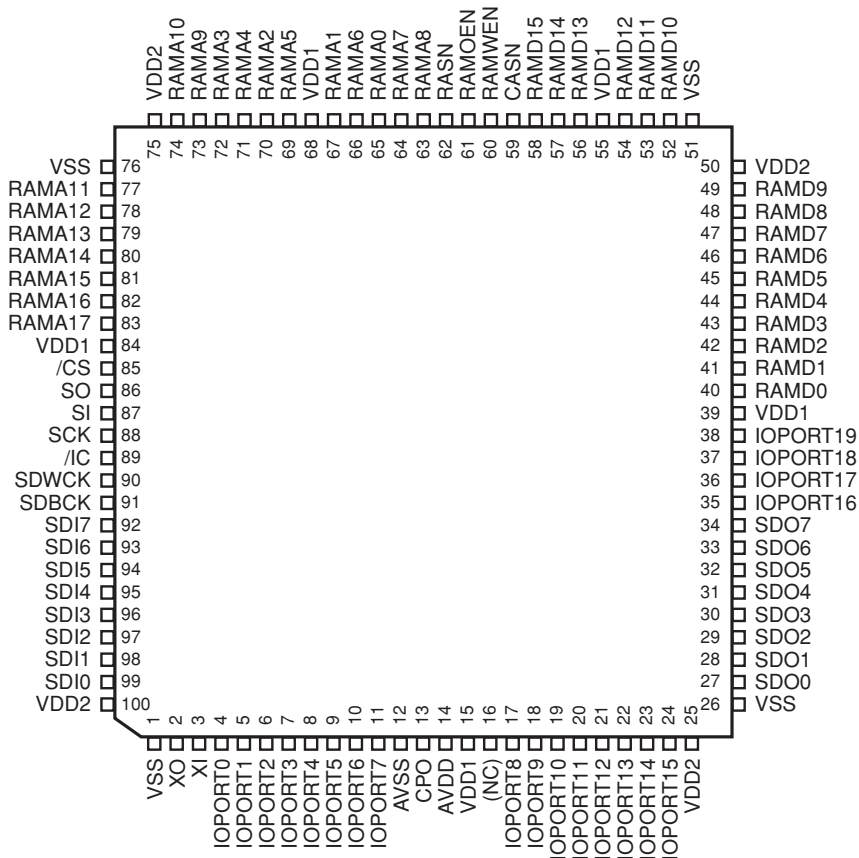
IC512: D601A002PYP180 (DSP P.C.B)

Decoder

No.	Name	I/O	Function
157	CVDD	S	1.2V power supply
158	VSS	GND	Ground
159	AHCLKX1	IOZ	General purpose I/O0 port 8
160	GP0[8]	IOZ	HPI data pin 8
161	AHCLKR1	IOZ	McASP1 reception MCLK
162	DVDD	S	3.3V power supply
163	VSS	GND	Ground
164	GP0[3]	IOZ	General purpose I/O0 port 3
165	GP0[9]	IOZ	General purpose I/O0 port 9
166	GP0[10]	IOZ	General purpose I/O0 port 10
167	GP0[11]	IOZ	General purpose I/O0 port 11
168	HD12	IOZ	General purpose I/O0 port 12
169	CVDD	S	1.2V power supply
170	VSS	GND	Ground
171	CVDD	S	1.2V power supply
172	GP0[13]	IOZ	General purpose I/O0 port 13
173	GP0[14]	IOZ	General purpose I/O0 port 14
174	GP0[15]	IOZ	General purpose I/O0 port 15
175	NMI	I	Nonmaskable Interrupt ↑ edge
176	/RESET	I	Device reset
177	CVDD	S	1.2V power supply
178	OSCIN	I	X'tal input, Oscillation: 12 to 25MHz
179	OSCOUT	O	X'tal output
180	OSCVSS	GND	X'tal GND internal connection
181	OSCVDD	S	X'tal 1.2V power supply internal connection
182	VSS	GND	Ground
183	DVDD	S	3.3V power supply
184	CLKOUT3	O	Programmable clock output up to 32 division of PLL
185	EMU1	IOZ	JTAG emulation pin 1 (1kΩ PD when boundary scanning)
186	EMU0	IOZ	JTAG emulation pin 0 (1kΩ PD when boundary scanning)
187	TDO	O/Z	JTAG Data Out
188	DVDD	S	3.3V power supply
189	VSS	GND	Ground
190	CVDD	S	1.2V power supply
191	TDI	I	JTAG Data In
192	TMS	I	JTAG Mode Select
193	TCK	I	JTAG Clock
194	VSS	GND	Ground
195	CVDD	S	1.2V power supply
196	CVDD	S	1.2V power supply
197	/TRST	I	JTAG Reset
198	RSV2	O/Z	Reserved (unconnected)
199	PLL _G	A	Analog GND for PLL
200	RSV0	A	Reserved (unconnected)
201	PLL _V	A	Analog 1.2V power supply for PLL
202	PLL _{HV}	A	Analog 3.3V power supply for PLL
203	RSV1	I	Reserved (unconnected)
204	CLKIN	I	Clock input
205	CLKMODE0	I	PLL input clock selection: Clkin or X'tal
206	DVDD	S	3.3V power supply
207	VSS	GND	Ground
208	CVDD	S	1.2V power supply

RX-V2400/RX-V2400RDS/DSP-AX2400
RX-V1400/RX-V1400RDS/HTR-5690/DSP-AX1400

IC516, 518: YSS930 (DSP P.C.B.)
 DSP



RX-V2400/RX-V2400RDS/DSP-AX2400
 RX-V1400/RX-V1400RDS/HTR-5690/DSP-AX1400

IC516, 518: YSS930 (DSP P.C.B.)
DSP

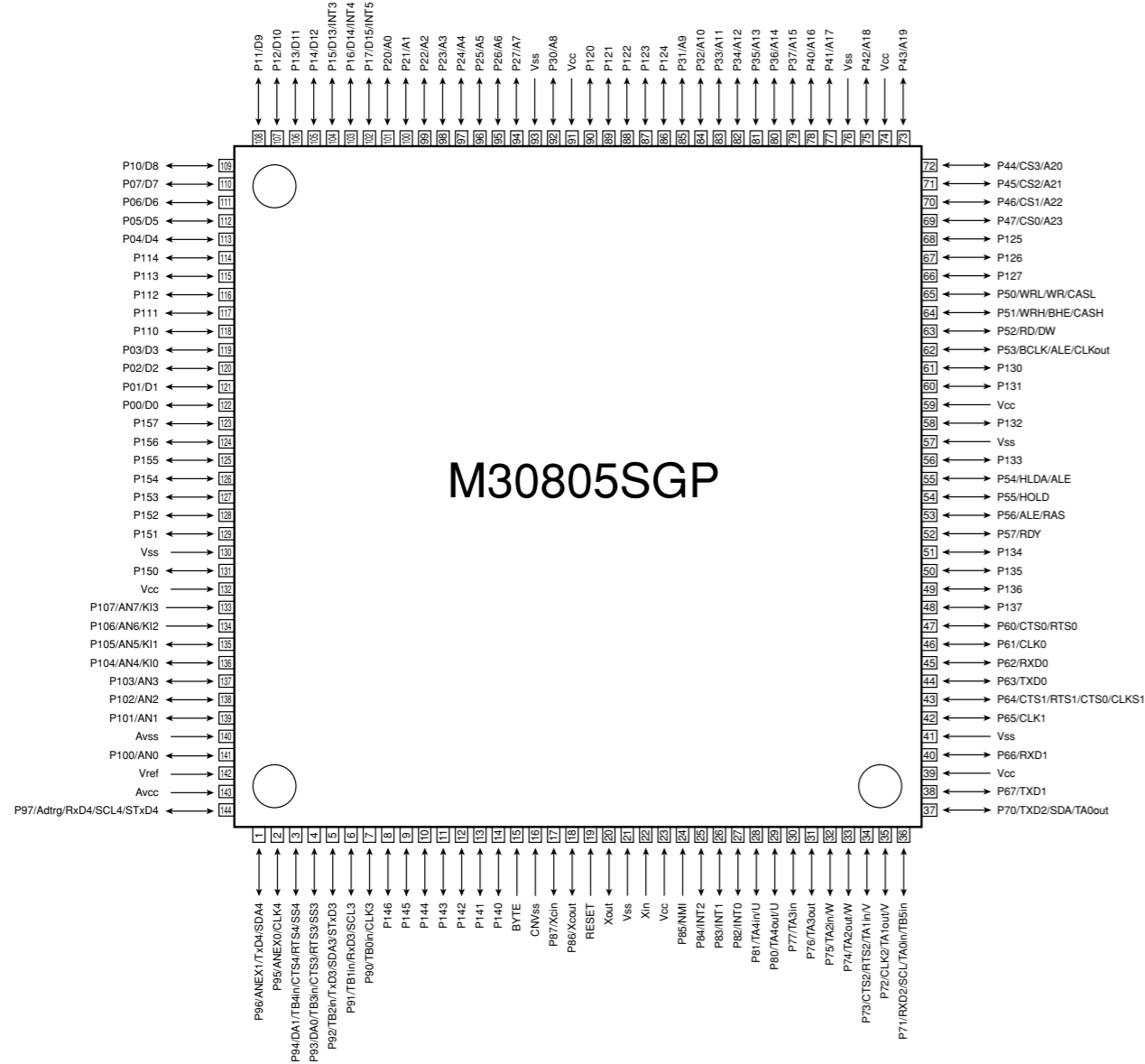
No.	Name	I/O	Function
1	VSS	-	Digital ground terminal
2	XO	O	Terminal for connecting crystal oscillator
3	XI	I	Terminal for connecting crystal oscillator (12.288 ~ 15.0MHz)
4	IOPORT0	I+/O	General purpose input/output terminal, SDO0 Lch zero-flag output terminal, input/output terminal for branching program conditions
5	IOPORT1	I+/O	General purpose input/output terminal, SDO0 Rch zero-flag output terminal, input/output terminal for branching program conditions
6	IOPORT2	I+/O	General purpose input/output terminal, SDO1 Lch zero-flag output terminal, input/output terminal for branching program conditions
7	IOPORT3	I+/O	General purpose input/output terminal, SDO1 Rch zero-flag output terminal, input/output terminal for branching program conditions
8	IOPORT4	I+/O	General purpose input/output terminal, SDO2 Lch zero-flag output terminal, input/output terminal for branching program conditions
9	IOPORT5	I+/O	General purpose input/output terminal, SDO2 Rch zero-flag output terminal, input/output terminal for branching program conditions
10	IOPORT6	I+/O	General purpose input/output terminal, SDO3 Lch zero-flag output terminal, input/output terminal for branching program conditions
11	IOPORT7	I+/O	General purpose input/output terminal, SDO3 Rch zero-flag output terminal, input/output terminal for branching program conditions
12	AVSS	-	Analog ground terminal (for PLL)
13	CPO	A	Terminal for connecting PLL filter
14	AVDD	-	+2.5V digital power supply (for PLL)
15	VDD1	-	+3.3V digital power supply (for input/output terminal)
16	(NC)	-	(Unconnected)
17	IOPORT8	I+/O	General purpose input/output terminal, SD04 Lch zero-flag output terminal
18	IOPORT9	I+/O	General purpose input/output terminal, SD04 Rch zero-flag output terminal
19	IOPORT10	I+/O	General purpose input/output terminal, SD05 Lch zero-flag output terminal
20	IOPORT11	I+/O	General purpose input/output terminal, SD05 Rch zero-flag output terminal
21	IOPORT12	I+/O	General purpose input/output terminal, SD06 Lch zero-flag output terminal, input terminal 0 for chip address setting
22	IOPORT13	I+/O	General purpose input/output terminal, SD06 Rch zero-flag output terminal, input terminal 1 for chip address setting
23	IOPORT14	I+/O	General purpose input/output terminal, SD07 Lch zero-flag output terminal, input terminal 2 for chip address setting
24	IOPORT15	I+/O	General purpose input/output terminal, SD07 Rch zero-flag output terminal, input terminal 3 for chip address setting
25	VDD2	-	+2.5V digital power supply (for internal circuit)
26	VSS	-	Digital ground terminal
27	SDO0	O	PCM output terminal
28	SDO1	O	PCM output terminal
29	SDO2	O	PCM output terminal
30	SDO3	O	PCM output terminal
31	SDO4	O	PCM output terminal
32	SDO5	O	PCM output terminal
33	SDO6	O	PCM output terminal
34	SDO7	O	PCM output terminal
35	IOPORT16	I+/O	General purpose input/output terminal, overflow detect output terminal
36	IOPORT17	I+/O	General purpose input/output terminal, program end detect output terminal
37	IOPORT18	I+/O	General purpose input/output terminal, 64fs clock output terminal
38	IOPORT19	I+/O	General purpose input/output terminal, fs clock output terminal
39	VDD1	-	+3.3V digital power supply (for input/output terminal)
40	RAMD0	I+/O	Data input/output terminal 0 for external memory
41	RAMD1	I+/O	Data input/output terminal 1 for external memory
42	RAMD2	I+/O	Data input/output terminal 2 for external memory
43	RAMD3	I+/O	Data input/output terminal 3 for external memory
44	RAMD4	I+/O	Data input/output terminal 4 for external memory
45	RAMD5	I+/O	Data input/output terminal 5 for external memory
46	RAMD6	I+/O	Data input/output terminal 6 for external memory
47	RAMD7	I+/O	Data input/output terminal 7 for external memory
48	RAMD8	I+/O	Data input/output terminal 8 for external memory
49	RAMD9	I+/O	Data input/output terminal 9 for external memory
50	VDD2	-	+2.5V digital power supply (for internal circuit)
51	VSS	-	Digital ground terminal
52	RAMD10	I+/O	Data input/output terminal 10 for external memory
53	RAMD11	I+/O	Data input/output terminal 11 for external memory
54	RAMD12	I+/O	Data input/output terminal 12 for external memory
55	VDD1	-	+3.3V digital power supply (for input/output terminal)
56	RAMD13	I+/O	Data input/output terminal 13 for external memory

IC516, 518: YSS930 (DSP P.C.B.)
DSP

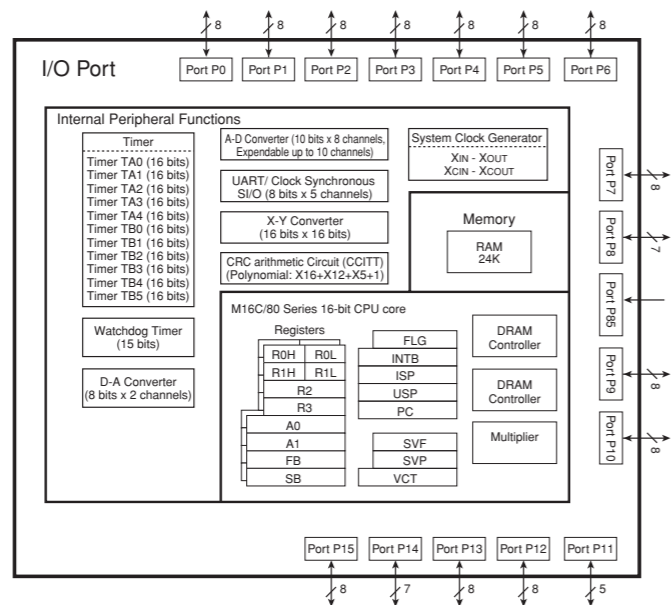
No.	Name	I/O	Function
57	RAMD14	I+/O	Data input/output terminal 14 for external memory
58	RAMD15	I+/O	Data input/output terminal 15 for external memory
59	CASN	O	Column address strobe output terminal for external DRAM
60	RAMWEN	O	Write enable output terminal for external memory
61	RAMOEN	O	Output enable output terminal for external memory
62	RASN	O	Low address strobe output terminal for external DRAM
63	RAMA8	O	Address output terminal 8 for external memory
64	RAMA7	O	Address output terminal 7 for external memory
65	RAMA0	O	Address output terminal 0 for external memory
66	RAMA6	O	Address output terminal 6 for external memory
67	RAMA1	O	Address output terminal 1 for external memory
68	VDD1	-	+3.3V digital power supply (for input/output terminal)
69	RAMA5	O	Address output terminal 5 for external memory
70	RAMA2	O	Address output terminal 2 for external memory
71	RAMA4	O	Address output terminal 4 for external memory
72	RAMA3	O	Address output terminal 3 for external memory
73	RAMA9	O	Address output terminal 9 for external memory
74	RAMA10	O	Address output terminal 10 for external memory
75	VDD2	-	+2.5V digital power supply (for internal circuit)
76	VSS	-	Digital ground terminal
77	RAMA11	O	Address output terminal 11 for external memory
78	RAMA12	O	Address output terminal 12 for external memory
79	RAMA13	O	Address output terminal 13 for external memory
80	RAMA14	O	Address output terminal 14 for external memory
81	RAMA15	O	Address output terminal 15 for external memory
82	RAMA16	O	Address output terminal 16 for external memory
83	RAMA17	O	Address output terminal 17 for external memory
84	VDD1	-	+3.3V digital power supply (for input/output terminal)
85	/CS	Is	Microprocessor interface chip select input terminal
86	SO	Ot	Microprocessor interface data output terminal
87	SI	Is	Microprocessor interface data input terminal
88	SCK	Is	Microprocessor interface clock input terminal
89	/IC	Is	Initial clear input terminal
90	SDWCK	I	Word clock (fs) input terminal for SDI/SDO interface
91	SDBCK	Is	Bit clock (64fs) input terminal for SDI/SDO interface
92	SDI7	I	PCM input terminal
93	SDI6	I	PCM input terminal
94	SDI5	I	PCM input terminal
95	SDI4	I	PCM input terminal
96	SDI3	I	PCM input terminal
97	SDI2	I	PCM input terminal
98	SDI1	I	PCM input terminal
99	SDI0	I	PCM input terminal
100	VDD2	-	+2.5V digital power supply (for internal circuit)

Is: Schmidt trigger input terminal
I+: Input terminal with pull-up resistor
O: Digital output terminal
Ot: 3-state digital output terminal
A: Analog terminal

IC520 : M30805SGP (FUNCTION P.C.B)
 16bit μ-COM (Main CPU)



M30805SGP



IC520 : M30805SGP (FUNCTION P.C.B)
 16bit μ-COM (Main CPU)

Pin	Pin function	Function	Name	Detail of function	I/O	On	Off	Backup
1	P96/ANEX1/TxD4/SDA4/SRxD4	TxD4	TXDR	232C TX data / YDC TX data	SO	O	OL	OL
2	P95/ANEX0/CLK4	CLK4	RTS	232C RTS / YDC clock	SCK	I/O	OL	OL
3	P94/DA1/TB4in/CTS4/RTS4/SS4	P94	CTS	232C CTS	I	I	I	OL
4	P93/DA0/TB3in/CTS3/RTS3/SS3	DA0	FAN	Fan control	DA-O	I	I	OL
5	P92/TB2in/TxD3/SDA3/SRxD3	TxD3	SDIN	None audio TX data	SO	SO	OL	OL
6	P91/TB1in/RxD3/SCL3/STxD3	RxD3	RXRDS	RDS RX data / Freq data (R ver)	SI	SI	I	OL
7	P90/TB0in/CLK3	CLK3	SCKN	None audio serial clock	SCK	SCK	OL	OL
8	P146	P146	CEB	BU2092 CE / ZONE2 function	O / I	O	OL	OL
9	P145	P145	CES	OSD CE / NTSC ? PAL format	O / I	O	OL	OL
10	P144	P144	RDSE	RDS CE / RDS function	O / I	O	OL	OL
11	P143	P143	CEF	FL CE / Model detect 0	O / I	O	OL	OL
12	P142	P142	/FLR	FL IC reset / Model detect 1	O / I	O	OL	OL
13	P141	P141	RDTP	PLL IC RX data	I	I	I	OL
14	P140	P140	SDTP	PLL IC TX data / Tuner exist	O / I	O	OL	OL
15	BYTE	BYTE	BYTE	16bit data bus: VSS	VSS	VSS	VSS	VSS
16	CNVss	CNVss	CNVss	Processor mode choice	VCC	VCC	VCC	VCC
17	P87/Xcin	P87	BT232C	232C boot signal / 6ch input key	I (PU)	I	I	OL
18	P86/Xcout	P86	BTYDC	YDC boot signal (Flash ROM write)	I	I	I	OL
19	RESET	RESET	/RES	Reset	I	-	-	-
20	Xout	Xout	XOUT	Clock out	OPEN	-	-	-
21	Vss	Vss	VSS	Ground	VSS	VSS	VSS	VSS
22	Xin	Xin	XIN	Clock in	12MHz	-	-	-
23	Vcc	Vcc	VCC	+5V	VCC	VCC	VCC	VCC
24	P85/NMI	NMI	NMI	Un-use (VCC with R)	VCC	VCC	VCC	VCC
25	P84/INT2	INT2	REM1	Remote controller pulse	INT (LoEdge)	I	I	OL
26	P83/INT1	INT1	PSW	Power SW	INT (HiEdge)	I	I	OL
27	P82/INT0	INT0	PDET	Power detect	INT (LoEdge)	I	I	I
28	P81/TA4in/U	TA4in	VSY	Vertical sync pulse	Lo Edge	I	I	OL
29	P80/TA4out/U	P80	/ICY	IC YSS IC	O	O	OL	OL
30	P77/TA3in	TA3in	RXDR	232C RX data	Double Edge	I	I	OL
31	P76/TA3out	P76	DMT	Digital full mute	O	O	OL	OL
32	P75/TA2in/W	TA2in	INT_TI	DIR, TI (DA601) interrupt	INT (LoEdge)	I	I	OL
33	P74/TA2out/W	P74	VBIT	Digital full mute rear L/R	I	I	I	OL
34	P73/CTS2/RTS2/TA1in/V	CTS2	CEP	PLL IC CE / Tuner step 1	I / O	O	OL	OL
35	P72/CLK2/TA1out/V	P72	SCKP	PLL IC clock / Tuner step 0	I / O	O	OL	OL
36	P71/RxD2/SCL2/TA0in/TB5in	SCL2	SCL	IIC bus clock	I / O	I/O	OL	OL
37	P70/TxD2/SDA2/TA0out	SDA	SDA	IIC bus data	I / O	I/O	OL	OL
38	P67/TxD1	TxD1	SDM	DIR, TI (DA601), YSS930, DAC TX	SO	SO	OL	OL
39	Vcc	Vcc	VCC	+5V	VCC	VCC	VCC	VCC
40	P66/RxD1	RxD1	SDO	DIR, TI (DA601), YSS930, DAC RX	SI	SI	I	OL
41	Vss	Vss	VSS	Ground	VSS	VSS	VSS	VSS
42	P65/CLK1	CLK1	SCK	DIR, TI (DA601), YSS930, DAC clock	SCK	SCK	OL	OL
43	P64/CTS1/RTS1/CTS0/CLKS1	P64	/CSY	YSS930 CE	O	O	OL	OL
44	P63/TxD0	TxD0	DTEV	E-Volume TX data	SO	SO	OL	OL
45	P62/RxD0	P62	CEEV	E-Volume CE	O	O	OL	OL
46	P61/CLK0	CLK0	CKEV	E-Volume clock	SCK	SCK	OL	OL
47	P60/CTS0/RTS0	P60	/CSTI	TI (DA601) CE	O	O	OL	OL
48	P137	P137	/CSDIR	DIR CE	O	O	OL	OL
49	P136	P136	INTFCT	Interrupt factor DIR or TI (DA601)	I	I	I	OL
50	P135	P135	/RCLK	Recout SW control (ROHM) clock	O	O	OL	OL
51	P134	P134	/RTXD	Recout SW control (ROHM) data	O	O	OL	OL
52	P57/RDY	RDY	/RDY	+5V fix	VCC	VCC	VCC	VCC
53	P56/ALE/RAS	ALE	ALE	Open	OPEN	OPEN	OPEN	OPEN
54	P55/HOLD	HOLD	/HOLD	+5V fix	VCC	VCC	VCC	VCC
55	P54/HLDA/ALE	HLDA	HLDA	Open	OPEN	OPEN	OPEN	OPEN
56	P133	P133	/CSDAC	DAC CE	O	O	OL	OL
57	Vss	Vss	VSS	Ground	VSS	VSS	VSS	VSS
58	P132	P132	/MIC	Mic detect	I	I	I	OL
59	Vcc	Vcc	VCC	+5V	VCC	VCC	VCC	VCC
60	P131	P131	TISPIRDY	TI (DA601) Serial Ready	I	I	I	OL
61	P130	P130	/ICD	IC DIR IC	O	O	OL	OL

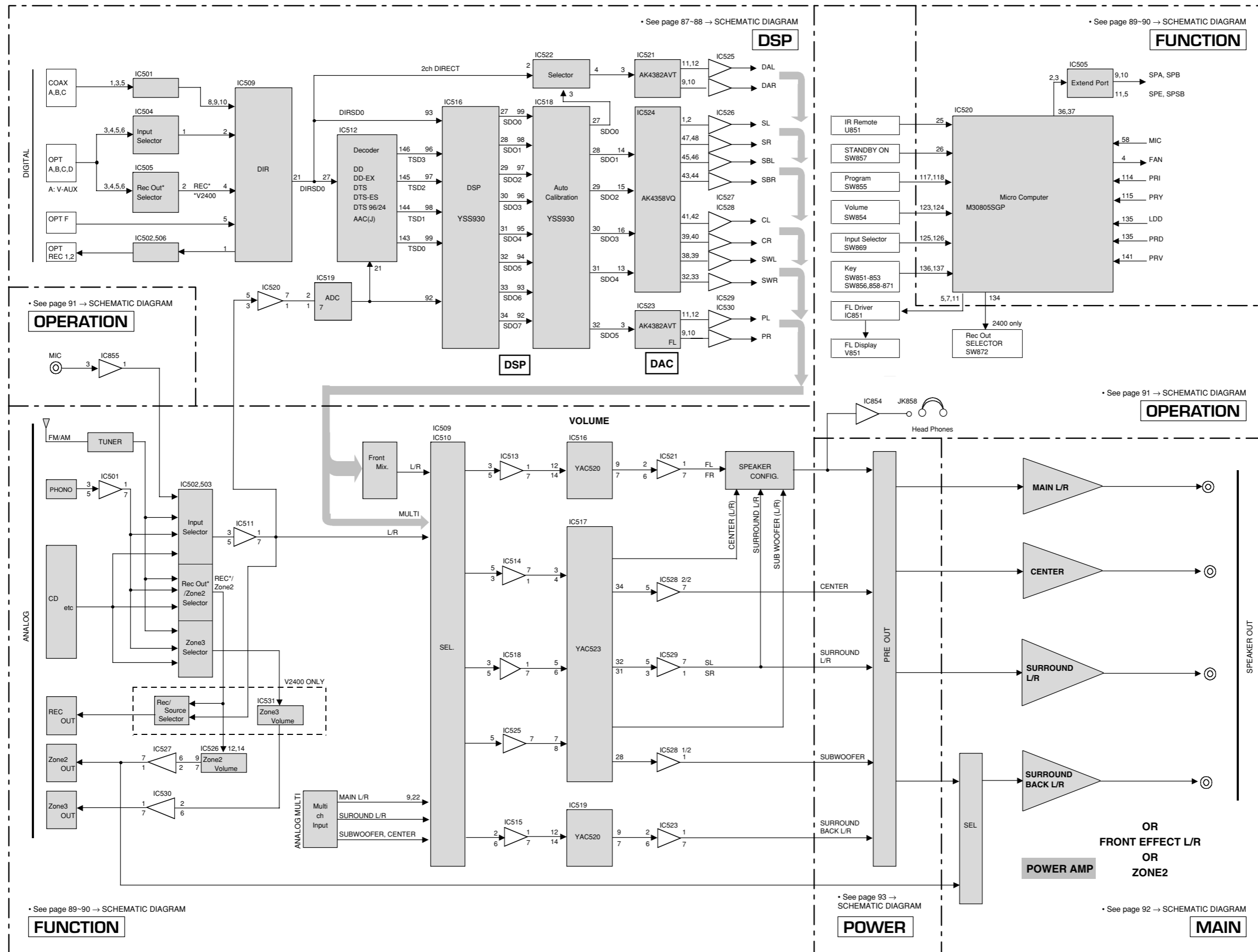
IC520 : M30805SGP (FUNCTION P.C.B)
16bit μ -COM (Main CPU)

Pin	Pin function	Function	Name	Detail of function	I/O	On	Off	Backup
62	P53/BCLK/ALE/CLKout	BCLK	BCLK	Open	OPEN	OPEN	OPEN	OPEN
63	P52/RD/DW	RD	/RD	Flash ROM OE	O	-	-	-
64	P51/WRH/BHE/CASH	WRH	BHE	Open	OPEN	OPEN	OPEN	OPEN
65	P50/WRL/WR/CASL	WRL	/WR	Flash ROM WE	O	-	-	-
66	P127	P127	CPNTD	Component DVD signal detect	I	I	I	OL
67	P126	P126	SVIDD	S video signal detect	I	I	I	OL
68	P125	P125	/FMS	Full mute SBL / SBR	O	O	OL	OL
69	P47/CS0/A23	CS0	CS0	Flash ROM CE	O	O	OL	OL
70	P46/CS1/A22	CS1	CS1	Open	OPEN	OPEN	OPEN	OPEN
71	P45/CS2/A21	CS2	CS2	Open	OPEN	OPEN	OPEN	OPEN
72	P44/CS3/A20(MA12)	CS3	CS3	Open	OPEN	OPEN	OPEN	OPEN
73	P43/A19(MA11)	A19	A19	External ROM address	-	-	-	-
74	Vcc	Vcc	VCC	+5V	VCC	VCC	VCC	VCC
75	P42/A18(MA10)	A18	A18	External ROM address	-	-	-	-
76	Vss	Vss	VSS	Ground	VSS	VSS	VSS	VSS
77	P41/A17(MA9)	A17	A17	External ROM address	-	-	-	-
78	P40/A16(MA8)	A16	A16	External ROM address	-	-	-	-
79	P37/A15(MA7)(D15)	A15	A15	External ROM address	-	-	-	-
80	P36/A14(MA6)(D14)	A14	A14	External ROM address	-	-	-	-
81	P35/A13(MA5)(D13)	A13	A13	External ROM address	-	-	-	-
82	P34/A12(MA4)(D12)	A12	A12	External ROM address	-	-	-	-
83	P33/A11(MA3)(D11)	A11	A11	External ROM address	-	-	-	-
84	P32/A10(MA2)(D10)	A10	A10	External ROM address	-	-	-	-
85	P31A9(MA1)(D9)	A9	A9	External ROM address	-	-	-	-
86	P124	P124	/Z2MT	Zone2 mute	O	O	OL	OL
87	P123	P123	/HPMT	Headphone mute	O	O	OL	OL
88	P122	P122	/FMTSW	Full mute SW L / SW R / SW MONO	O	O	OL	OL
89	P121	P121	/FMTC	Full mute CENTER	O	O	OL	OL
90	P120	P120	/FMTM	Full mute MAIN L/R / RL / RR	O	O	OL	OL
91	Vcc	Vcc	VCC	+5V	VCC	VCC	VCC	VCC
92	P30/A8(MA0)(D8)	A8	A8	External ROM address	-	-	-	-
93	Vss	Vss	VSS	Ground	VSS	VSS	VSS	VSS
94	P27/A7(D7)	A7	A7	External ROM address	-	-	-	-
95	P26/A6(D6)	A6	A6	External ROM address	-	-	-	-
96	P25/A5(D5)	A5	A5	External ROM address	-	-	-	-
97	P24/A4(D4)	A4	A4	External ROM address	-	-	-	-
98	P23/A3(D3)	A3	A3	External ROM address	-	-	-	-
99	P22/A2(D2)	A2	A2	External ROM address	-	-	-	-
100	P21/A1(D1)	A1	A1	External ROM address	-	-	-	-
101	P20/A0(D0)	A0	A0	External ROM address	-	-	-	-
102	P17/D15/INT5	D15	D15	External ROM data	-	-	-	-
103	P16/D14/INT4	D14	D14	External ROM data	-	-	-	-
104	P15/D13/INT3	D13	D13	External ROM data	-	-	-	-
105	P14/D12	D12	D12	External ROM data	-	-	-	-
106	P13/D11	D11	D11	External ROM data	-	-	-	-
107	P12/D10	D10	D10	External ROM data	-	-	-	-
108	P11/D9	D9	D9	External ROM data	-	-	-	-
109	P10/D8	D8	D8	External ROM data	-	-	-	-
110	P07/D7	D7	D7	External ROM data	-	-	-	-
111	P06/D6	D6	D6	External ROM data	-	-	-	-
112	P05/D5	D5	D5	External ROM data	-	-	-	-
113	P04/D4	D4	D4	External ROM data	-	-	-	-
114	P114	P114	PRI	I protection detect	I	I	I	OL
115	P113	P113	PRY	Power relay	O	O	OL	OL
116	P112	P112	/Z3MT	Zone3 mute	O	O	OL	OL
117	P111	P111	PGB	Program selector B	I	I	I	OL
118	P110	P110	PGA	Program selector A	I	I	I	OL
119	P03/D3	D3	D3	External ROM data	-	-	-	-
120	P02/D2	D2	D2	External ROM data	-	-	-	-
121	P01/D1	D1	D1	External ROM data	-	-	-	-
122	P00/D0	D0	D0	External ROM data	-	-	-	-

IC520 : M30805SGP (FUNCTION P.C.B)
16bit μ -COM (Main CPU)

Pin	Pin function	Function	Name	Detail of function	I/O	On	Off	Backup
123	P157	P157	VRB	Volume encoder B	I	I	I	OL
124	P156	P156	VRA	Volume encoder A	I	I	I	OL
125	P155	P155	ISB	Input selector B	I	I	I	OL
126	P154	P154	ISA	Input selector A	I	I	I	OL
127	P153	P153	SCKA	Audio IC clock	SCK	SCK	OL	OL
128	P152	P152	SDTA	Audio IC TX data	SO	SO	OL	OL
129	P151	P151	CEL	SANYO IC CE	O	O	OL	OL
130	Vss	Vss	VSS	Ground	VSS	VSS	VSS	VSS
131	P150	P150	/ICTI	IC TI (DA601)	O	O	OL	OL
132	Vcc	Vcc	VCC	+5V	VCC	VCC	VCC	VCC
133	P107/AN7/KI3	P107	/HP	Headphone detect	I	I	I	OL
134	P106/AN6/KI2	AN6	REC	Recout selector	AD	I	I	I
135	P105/AN5/KI1	AN5	PLMT	Power limiter detect	AD	I	I	I
136	P104/AN4/KI0	AN4	KY1	Key SW line 1	AD	I	I	I
137	P103/AN3	AN3	KY0	Key SW line 0	AD	I	I	I
138	P102/AN2	AN2	THM	Temperature detect	AD	I	I	I
139	P101/AN1	AN1	PRD	DC protection	AD	I	I	I
140	AVss	AVss	AVSS	AD ground	AVSS	AVSS	AVSS	AVSS
141	P100/AN0	AN0	PRV	PS protection	AD	I	I	I
142	Vref	Vref	VREF	AD reference	AVCC	AVCC	AVCC	AVCC
143	AVcc	AVcc	AVCC	AD +5V	AVCC	AVCC	AVCC	AVCC
144	P97/Adtrg/RxD4/SCL4/STxD4	RxD4	RXDR	232C / YDC RX data	SI	I	I	OL

BLOCK DIAGRAM (1/2)



• See page 91 → SCHEMATIC DIAGRAM
OPERATION

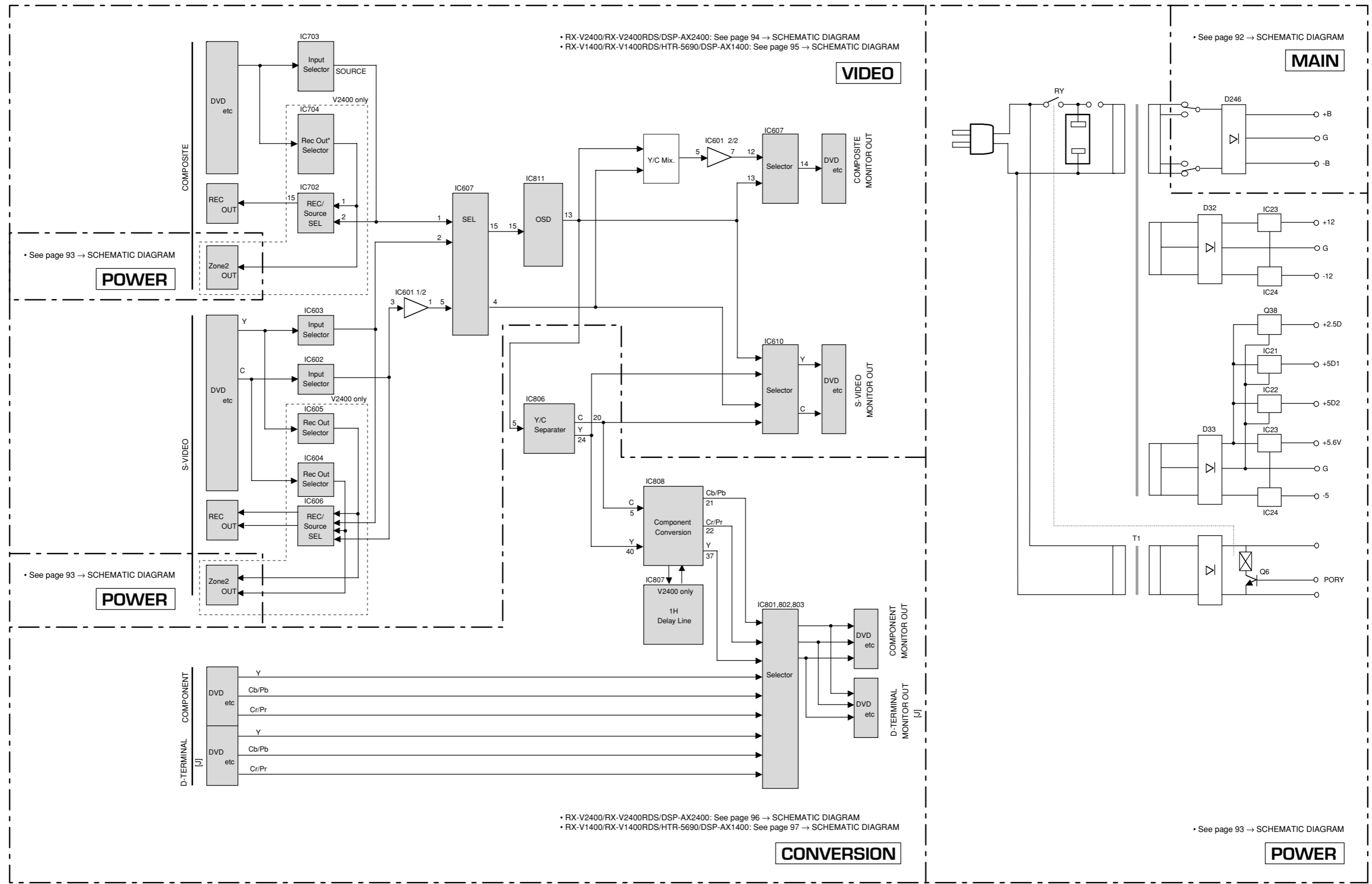
• See page 91 → SCHEMATIC DIAGRAM
OPERATION

• See page 89-90 → SCHEMATIC DIAGRAM
FUNCTION

• See page 93 → SCHEMATIC DIAGRAM
POWER

• See page 92 → SCHEMATIC DIAGRAM
MAIN

1 ■ BLOCK DIAGRAM (2/2)



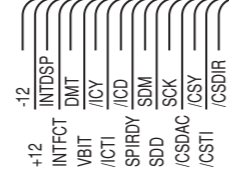
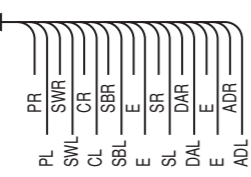
7

PRINTED CIRCUIT BOARD (Foil side) RX-V2400/RX-V2400RDS/DSP-AX2400

RX-V1400/RX-V1400RDS/HTR-5690/DSP-AX1400

DSP P. C. B. (Lead Type Device)

FUNCTION

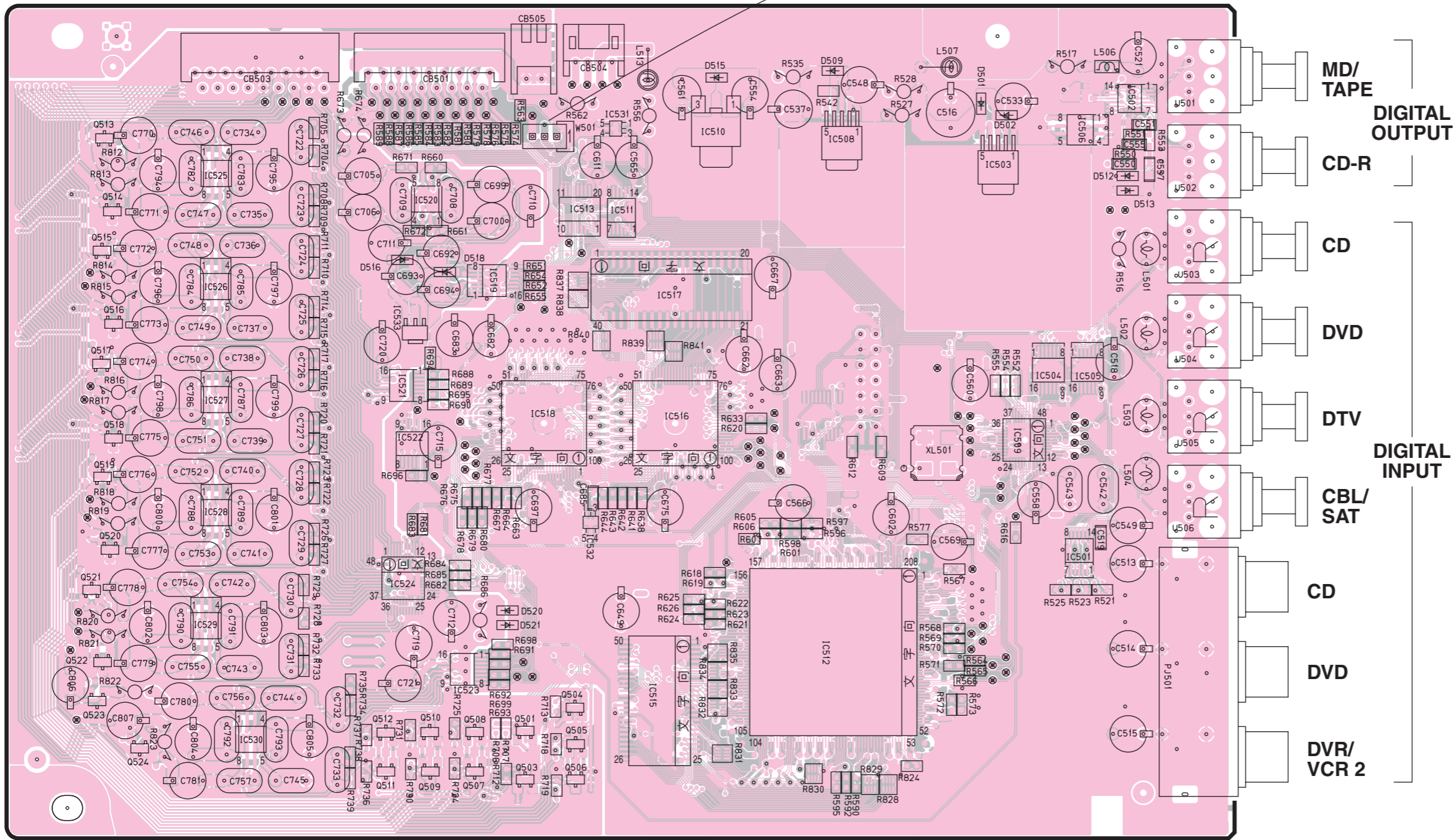


FUNCTION

FUNCTION

POWER (3)

OPERATION (3)



- MD/ TAPE
- DIGITAL OUTPUT
- CD-R
- CD
- DVD
- DTV
- DIGITAL INPUT
- CBL/ SAT
- CD
- DVD
- DVR/ VCR 2

• Semiconductor Location

Ref. No.	Location
D501	F3
D502	F3
D509	F3
D512	G3
D513	G3
D515	E3
D516	C4
D518	C4
D520	D6
D521	D6
IC501	G5
IC502	G3
IC503	F3
IC504	G4
IC505	G4
IC506	G3
IC508	F3
IC509	G5
IC510	E3
IC511	D3
IC512	E6
IC513	D3
IC515	E6
IC516	E4
IC517	E4
IC518	D4
IC519	D4
IC520	C3
IC521	C4
IC522	C5
IC523	B6
IC524	C5
IC525	B3
IC526	B4
IC527	B4
IC528	B5
IC529	B6
IC530	B6
IC531	D3
IC532	D5
Q501	D6
Q503	D6
Q504	D6
Q505	D6
Q506	D6
Q507	D6
Q508	D6
Q509	C6
Q510	C6
Q511	C6
Q512	C6
Q513	B3
Q514	B3
Q515	B4
Q516	B4
Q517	B4
Q518	B5
Q519	B5
Q520	B5
Q521	B5
Q522	B6
Q523	B6
Q524	B6

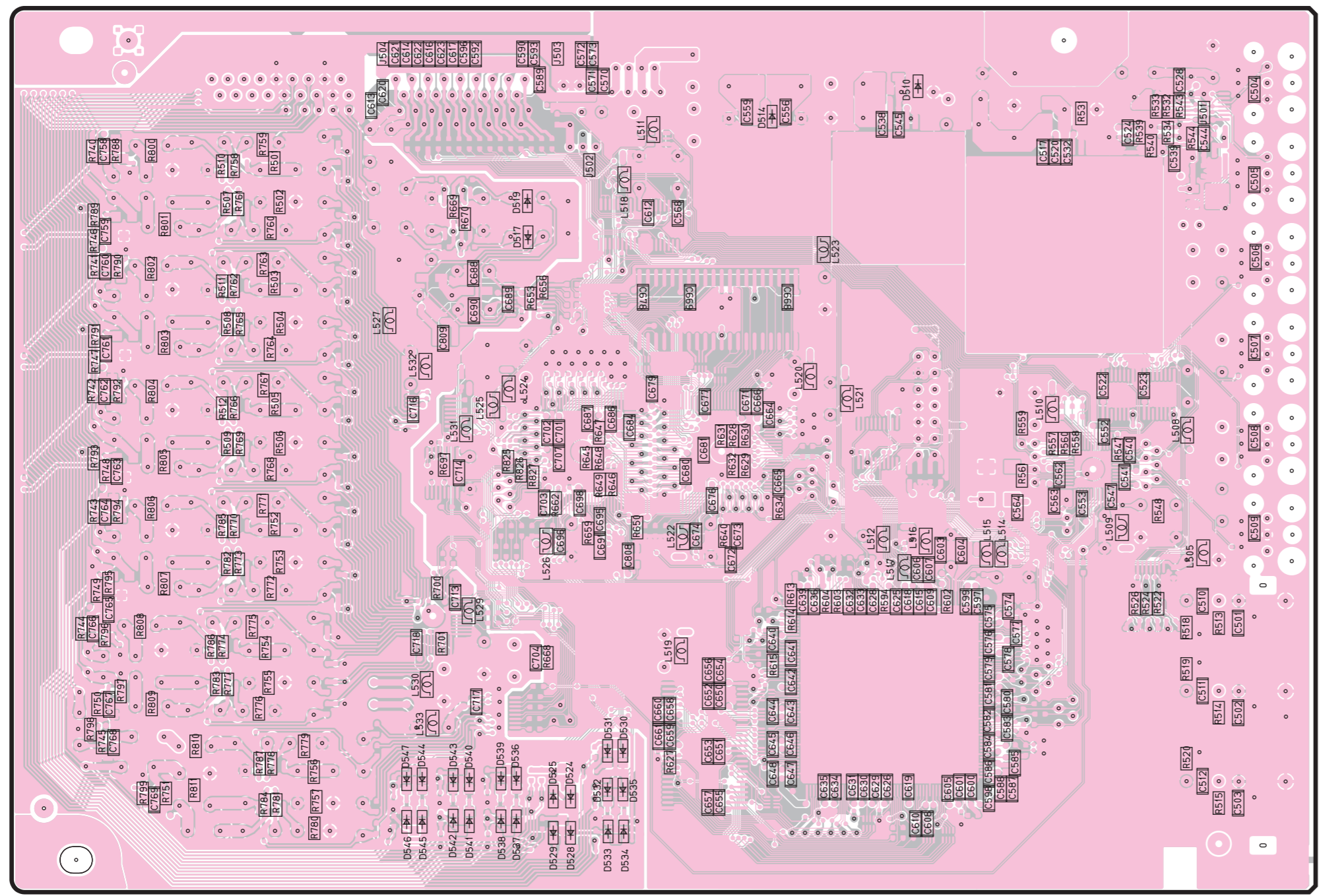
1 ■ PRINTED CIRCUIT BOARD (Foil side) **RX-V2400/RX-V2400RDS/DSP-AX2400**

RX-V1400/RX-V1400RDS/HTR-5690/DSP-AX1400

DSP P. C. B. (Surface Mount Device)

• Semiconductor Location

Ref. No.	Location
D510	F2
D514	E2
D517	D3
D519	D3
D524	D6
D525	D6
D528	D6
D529	D6
D530	D6
D531	D6
D532	D6
D533	D6
D534	D6
D535	D6
D536	D6
D537	D6
D538	C6
D539	C6
D540	C6
D541	C6
D542	C6
D543	C6
D544	C6
D545	C6
D546	C6
D547	C6



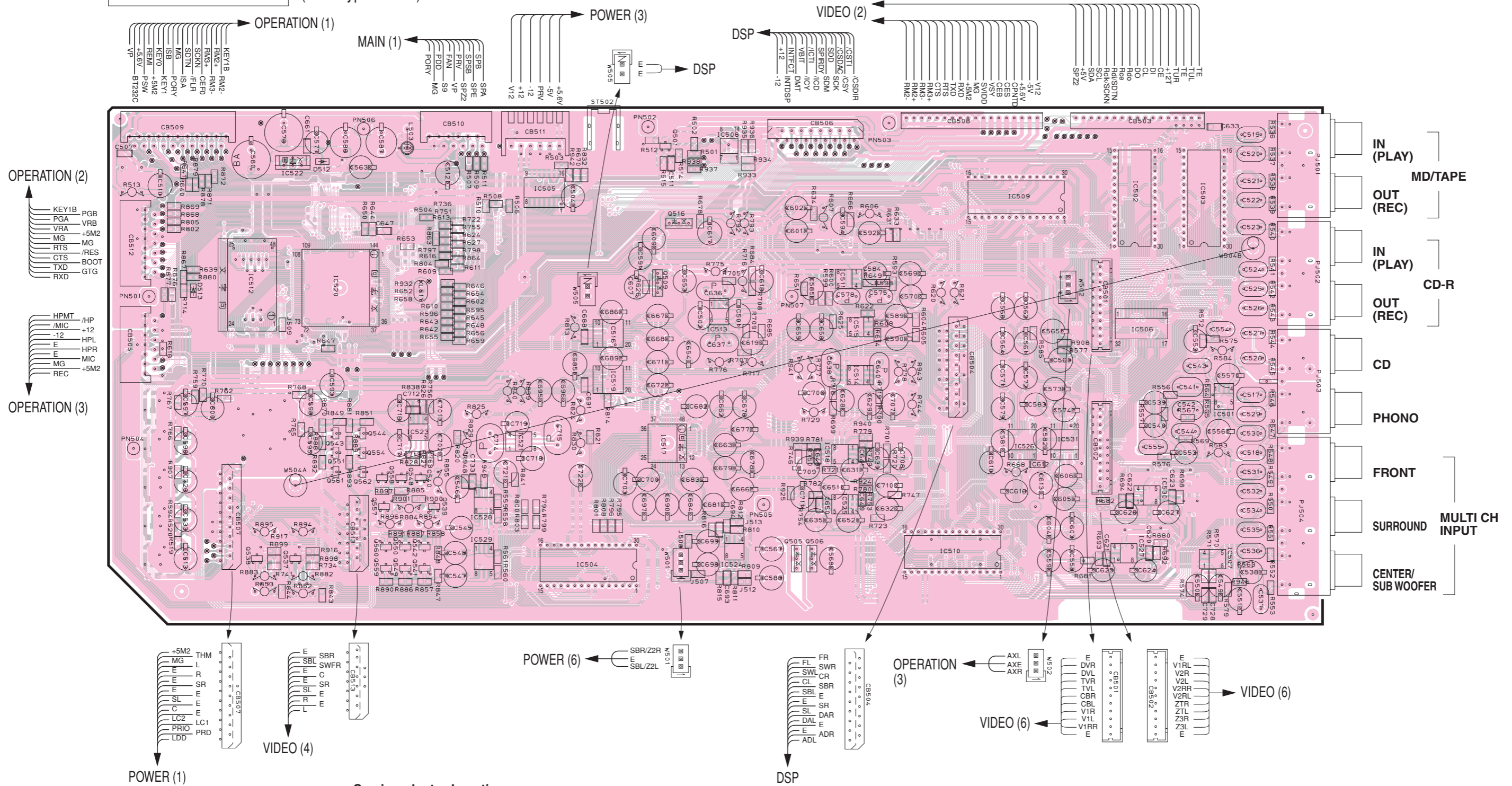
Circuit No.	J	U, C, R, T, K, A, B, G, L
R638	X	O

X: NOT USED
O: USED / APPLICABLE

PRINTED CIRCUIT BOARD (Foil side) RX-V2400/RX-V2400RDS/DSP-AX2400

RX-V1400/RX-V1400RDS/HTR-5690/DSP-AX1400

FUNCTION P. C. B. (Lead Type Device)



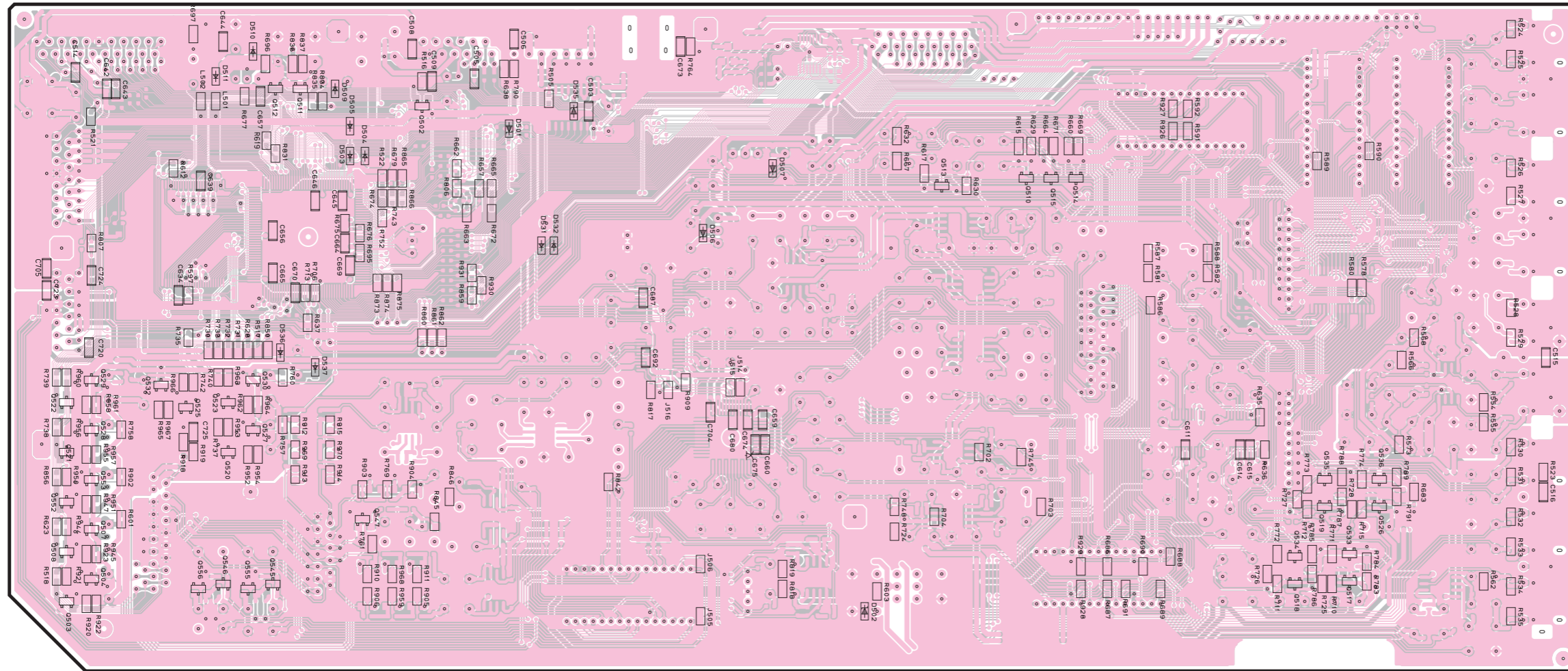
• Semiconductor Location

Ref. No.	Location	Ref. No.	Location	Ref. No.	Location	Ref. No.	Location	Ref. No.	Location	Ref. No.	Location	Ref. No.	Location	Ref. No.	Location	Ref. No.	Location
D512	C3	IC505	D3	IC511	F3	IC517	E4	IC523	C4	IC529	D5	Q509	E3	Q541	C5	Q550	C5
D513	B3	IC506	H4	IC512	B3	IC518	F4	IC524	E5	IC530	H5	Q516	E3	Q542	C5	Q551	C4
IC501	H4	IC507	H5	IC513	E4	IC519	E4	IC525	F5	IC531	H4	Q537	C5	Q543	C4	Q554	C4
IC502	H3	IC508	E2	IC514	F4	IC520	C3	IC526	G4	Q501	E2	Q538	B5	Q544	C4	Q557	C5
IC503	H3	IC509	G3	IC515	F4	IC521	D4	IC527	H5	Q505	F5	Q539	D5	Q548	C5	Q558	C5
IC504	E5	IC510	G5	IC516	E4	IC522	C3	IC528	D5	Q506	F5	Q540	C5	Q549	C5	Q559	C5

1 ■ PRINTED CIRCUIT BOARD (Foil side) RX-V2400/RX-V2400RDS/DSP-AX2400

RX-V1400/RX-V1400RDS/HTR-5690/DSP-AX1400

FUNCTION P. C. B. (Surface Mount Device)



• Semiconductor Location

Ref. No.	Location	Ref. No.	Location	Ref. No.	Location	Ref. No.	Location	Ref. No.	Location	Ref. No.	Location	Ref. No.	Location
D501	C2	D509	C2	D537	B4	Q511	B2	Q519	G4	Q527	B4	Q535	G4
D502	E5	D510	B2	Q502	C2	Q512	B2	Q520	B4	Q528	A4	Q536	H4
D503	C3	D511	B2	Q503	A5	Q513	F3	Q521	A4	Q529	A4	Q545	B5
D504	C3	D531	D3	Q504	A5	Q514	F3	Q522	A4	Q530	B4	Q546	B5
D505	C2	D532	D3	Q507	A4	Q515	F3	Q523	B4	Q532	B4	Q547	C4
D506	D3	D535	D2	Q508	A5	Q517	G5	Q525	B4	Q533	G5	Q552	A4
D507	E3	D536	B4	Q510	F3	Q518	G5	Q526	H4	Q534	G5	Q553	A4

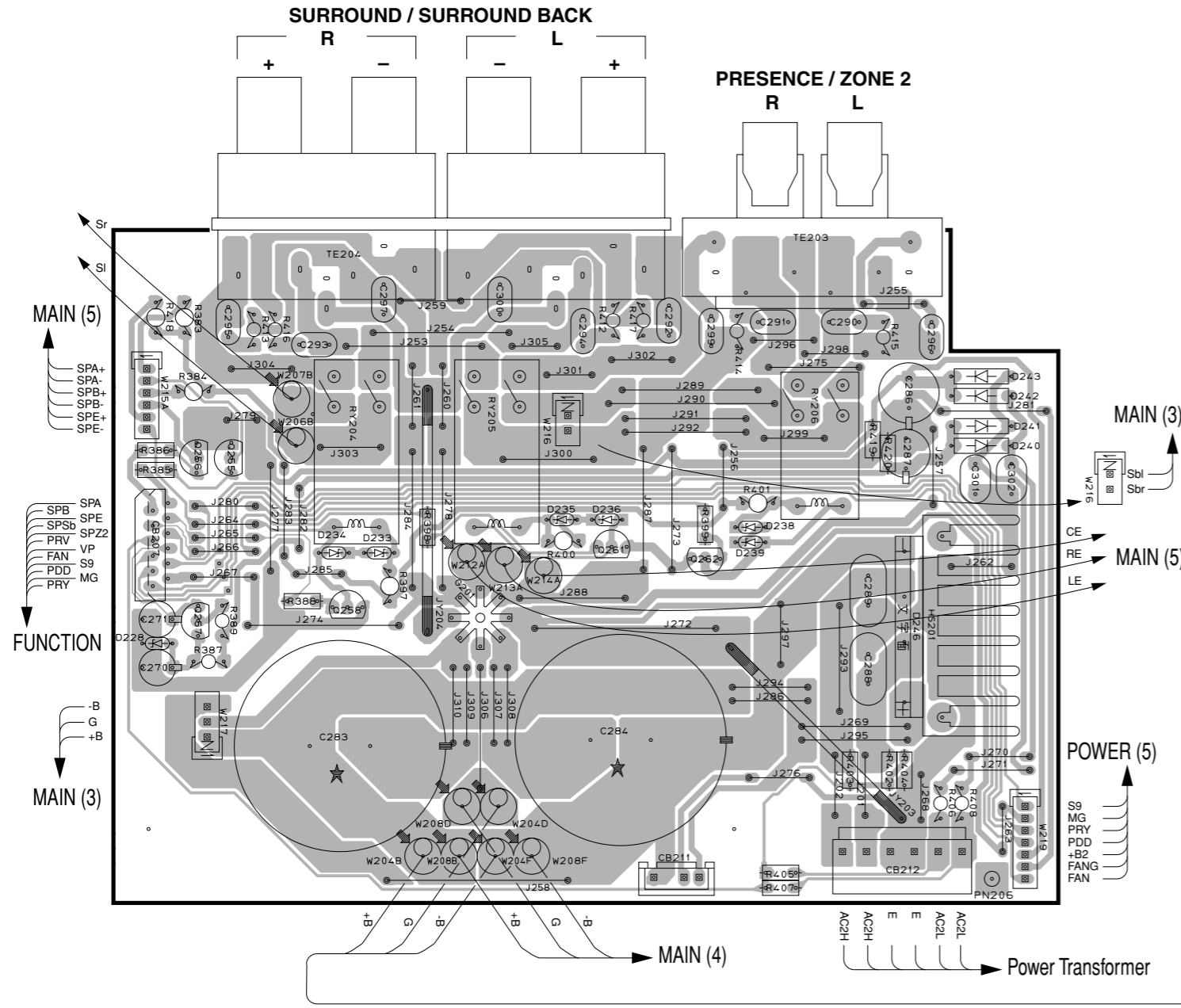
Circuit No.	J	U, C	R, L	T, K, B, G	A	Remarks
C517, 518	X	X	X	O	O	
C505, 507, 508, 513, 514, 533, 562, 566, 571, 572, 579, 581, 603, 604, 610-612, 616, 620, 621, 624-627, 692, 693, 712, 715, 720, 723, 724, 921, 922	X	O	X	X	O	
C511	O	O	O	O	O	2400 only
C560, 565	X	O	X	X	O	1400
C560, 565	O	O	O	O	O	2400
C561, 564	X	O	X	X	O	1400
C573, 574, 582, 583, 605, 606, 613-615, 622, 623	X	O	X	X	O	2400
IC506	X	O	X	X	O	1400
IC506	O	O	O	O	O	2400
IC508	O	O	O	O	O	2400 only
IC526, 527	X	O	X	X	O	
IC530, 531	X	O	X	X	O	2400 only
J501, 502	X	X	X	X	X	
J503, 504	X	O	X	X	O	1400
J503, 504	O	O	O	O	O	2400
J505, 506	O	X	O	O	X	1400
J514-516	X	O	X	X	O	
Q501	O	O	O	O	O	2400 only
Q503, 504, 507, 508, 517-519, 526, 533-536	X	O	X	X	O	
R501, 502, 512, 514, 515, 933-938	O	O	O	O	O	2400 only
R517-520, 587, 588, 594, 601, 623, 628, 635, 665, 668, 680, 681, 692, 693, 710-712, 715, 725-728, 771-774, 783-789, 791, 920, 923, 944, 945	X	O	X	X	O	
R562	X	X	O	X	X	
R577, 578, 580, 585, 586, 908	X	O	X	X	O	1400
R577, 908	O	O	O	O	O	2400
R581, 582	O	X	O	O	X	2400
R636, 682, 683, 694, 698	X	O	X	X	O	2400
R672	O	X	O	O	X	

X: NOT USED
O: USED / APPLICABLE

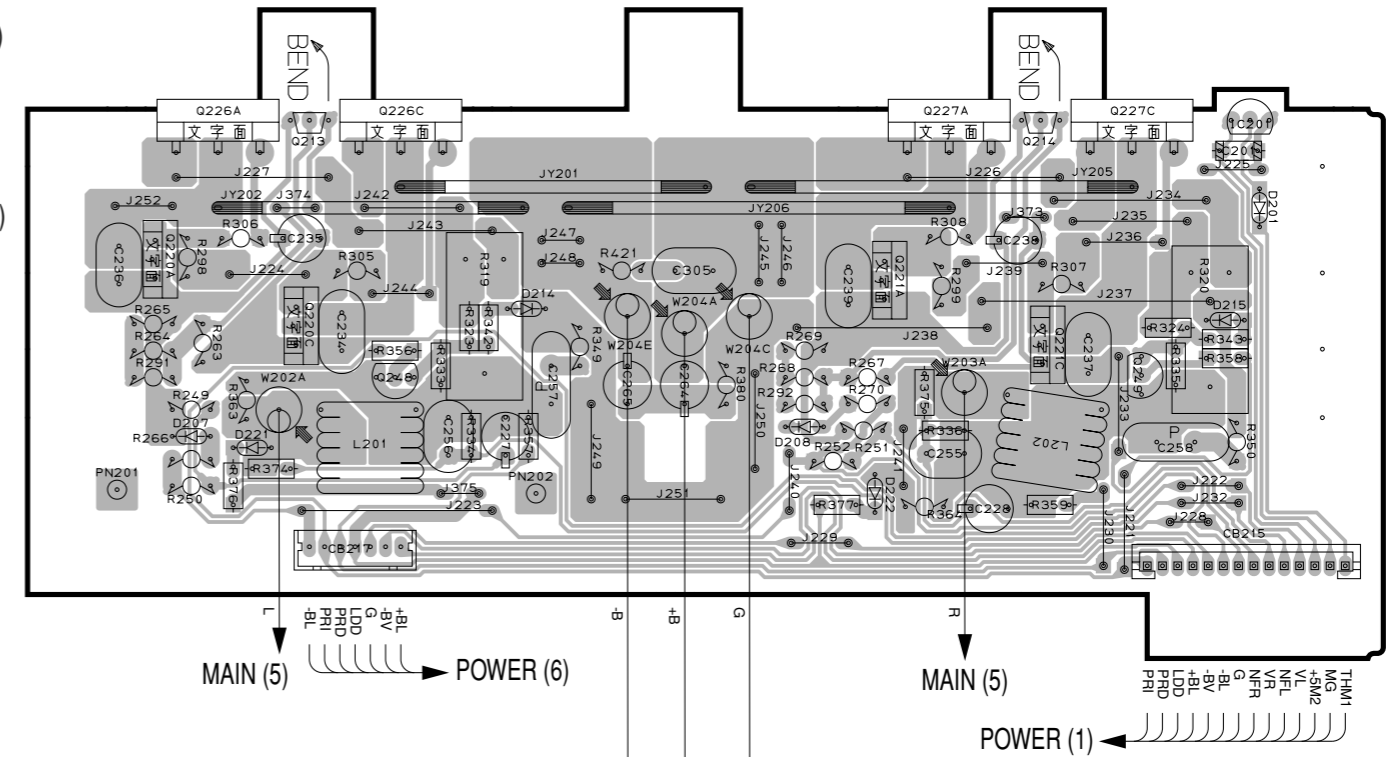
PRINTED CIRCUIT BOARD (Foil side) **RX-V2400/RX-V2400RDS/DSP-AX2400**

RX-V1400/RX-V1400RDS/HTR-5690/DSP-AX1400

MAIN (1) P. C. B. (Lead Type Device)



MAIN (2) P. C. B. (Lead Type Device)



• Semiconductor Location

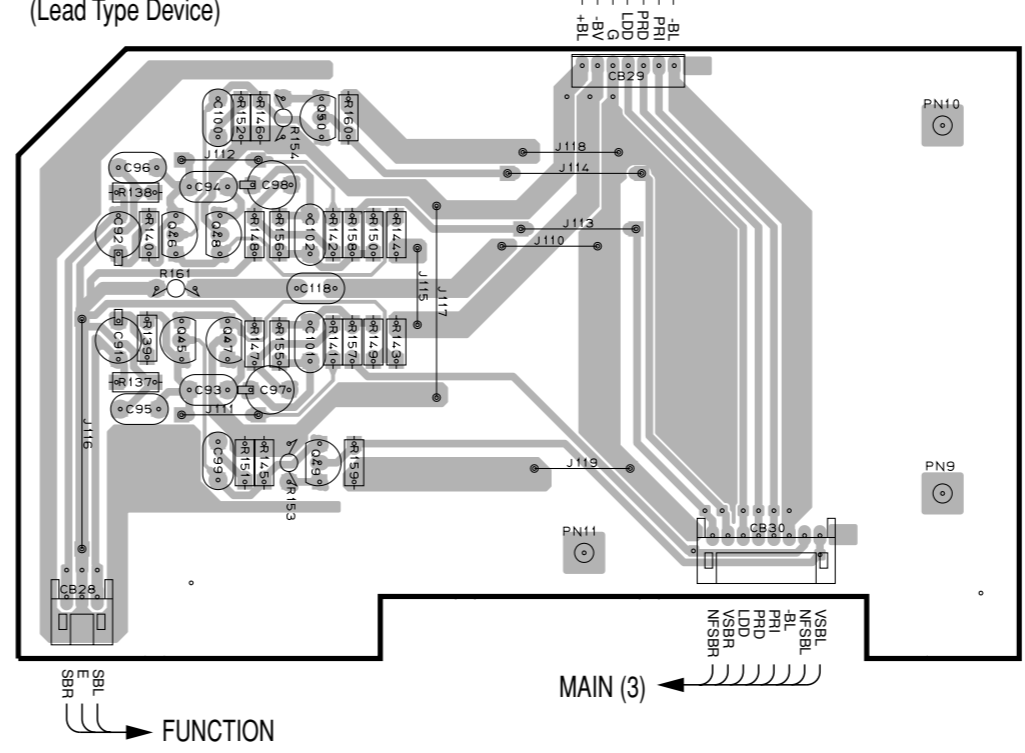
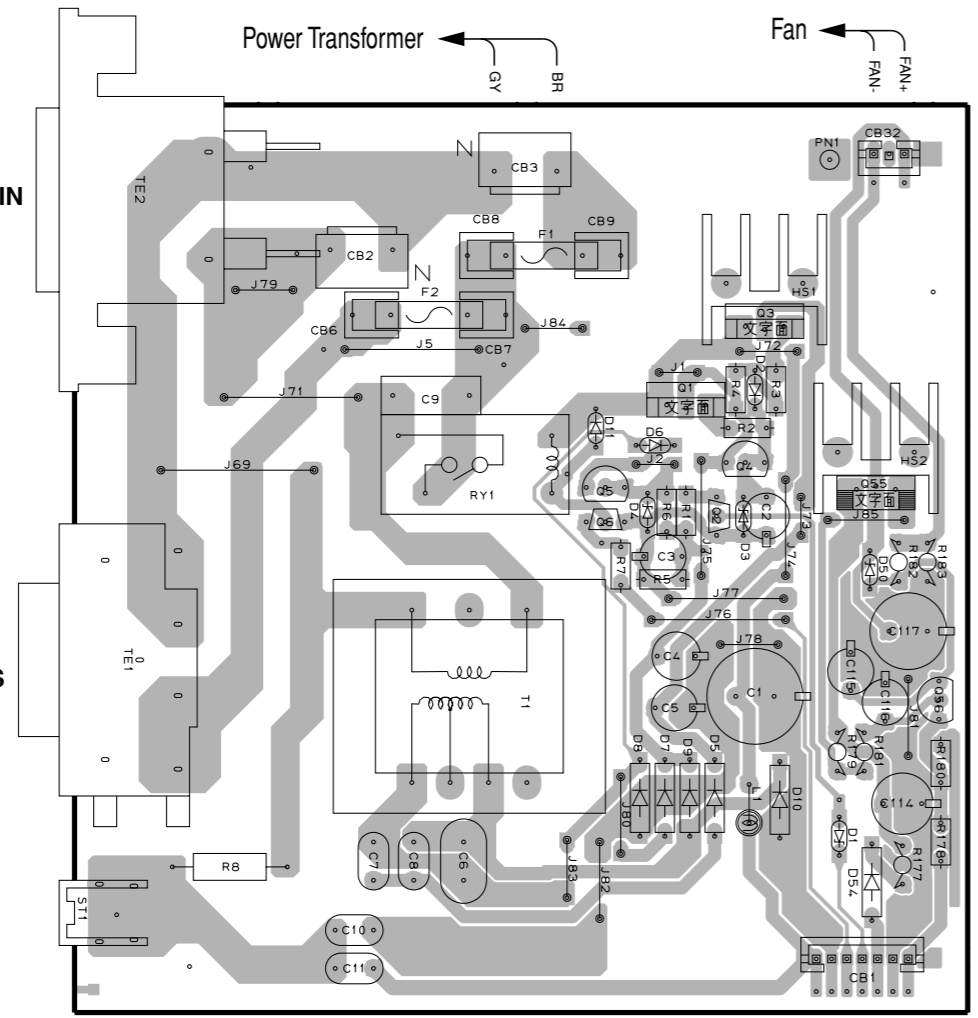
Ref. No.	Location	Ref. No.	Location	Ref. No.	Location	Ref. No.	Location	Ref. No.	Location	Ref. No.	Location	Ref. No.	Location
D201	J4	D222	I5	D238	D4	D246	E4	Q221A	I4	Q248	G5	Q262	D4
D207	G5	D228	B4	D239	D4	IC201	J4	Q221C	I4	Q255	B4		
D208	I5	D233	C4	D240	E4	Q213	G4	Q226A	G4	Q256	B4		
D214	H4	D234	B4	D241	E3	Q214	I4	Q226C	G4	Q257	B4		
D215	J4	D235	C4	D242	E3	Q220A	F4	Q227A	I4	Q258	B4		
D221	G5	D236	C4	D243	E3	Q220C	G4	Q227C	J4	Q261	C4		

PRINTED CIRCUIT BOARD (Foil side) RX-V2400/RX-V2400RDS/DSP-AX2400

RX-V1400/RX-V1400RDS/HTR-5690/DSP-AX1400

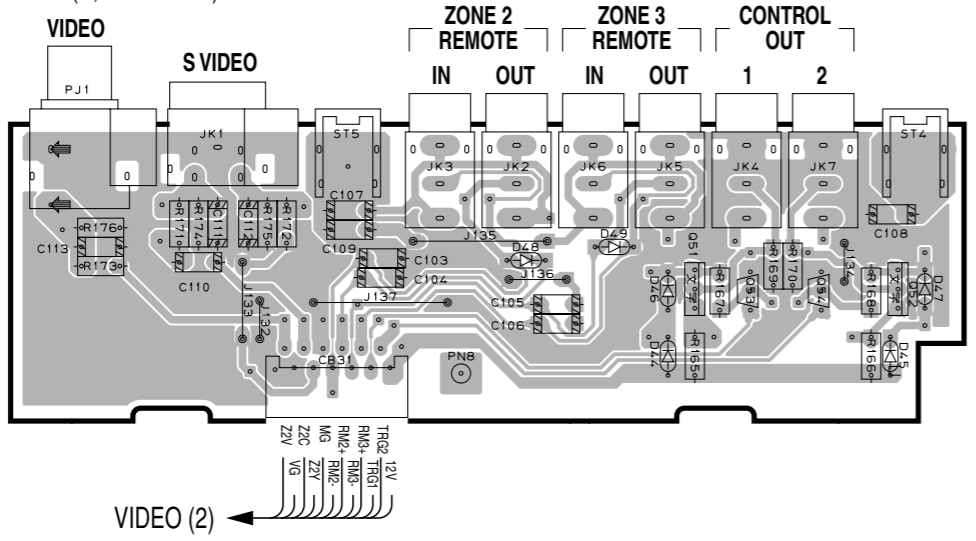
POWER (5) P. C. B. (Lead Type Device)

POWER (6) P. C. B. (Lead Type Device)

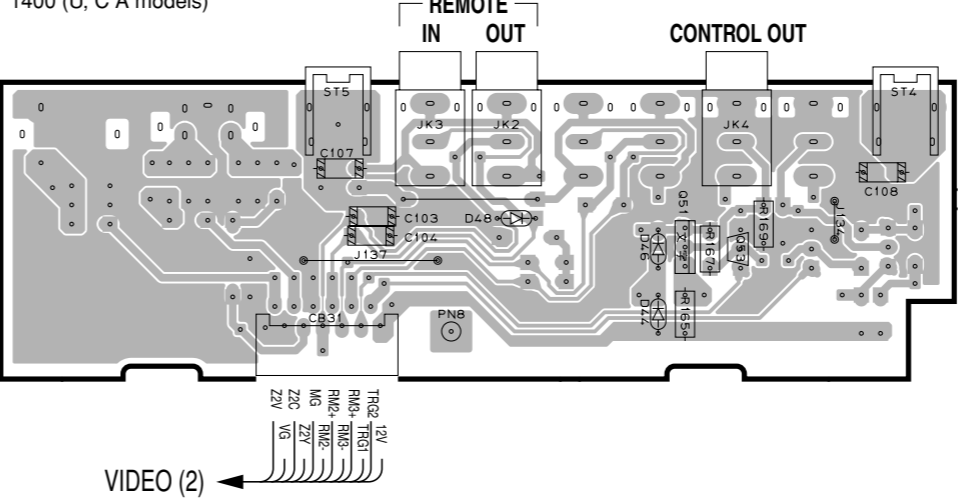


POWER (7) P. C. B. (Lead Type Device)

2400 (U, C A models)



1400 (U, C A models)



Circuit No.	J	U, C	R	L	T, K	A	B	G	Remarks
C2, 4, 5, 7, 8	X	X	O	O	X	X	X	X	
C6	O	O	X	X	O	O	O	O	
C103, 104, 107, 108	X	O	X	X	X	O	X	X	
C105, 106, 109-113	X	O	X	X	X	O	X	X	2400
CB2	X	X	O	O	O	O	O	X	
CB4, 5, 10, 11	X	X	O	O	X	X	X	X	
CB6, 7	X	O	X	X	X	X	X	O	
CB31	X	O	X	X	X	O	X	X	
D2-5	X	X	O	O	X	X	X	X	
D44, 46, 48	X	O	X	X	X	O	X	X	
D45, 47, 49	X	O	X	X	X	O	X	X	2400
D51-53	X	O	O	O	O	O	O	O	
F2	X	O	X	X	X	X	X	O	
F3	X	X	O	O	X	X	X	X	
HS1	X	X	O	O	X	X	X	X	
J1, 2	O	O	X	X	O	O	O	O	
J5	O	X	O	O	O	O	O	X	
J6-8	X	X	O	O	X	X	X	X	
JK1, 5-7	X	O	X	X	X	O	X	X	2400
JK2-4	X	O	X	X	X	O	X	X	
PJ1	X	O	X	X	X	O	X	X	2400
PN6	X	O	X	X	X	O	X	X	
Q1, 3, 4, 5	X	X	O	O	X	X	X	X	
Q51, 53	X	O	X	X	X	O	X	X	
Q52, 54	X	O	X	X	X	O	X	X	2400
Q57	X	O	O	O	O	O	O	O	
R2-4	X	X	O	O	X	X	X	X	
R8	X	O	X	X	X	X	X	X	
R165, 167, 169	X	O	X	X	X	O	X	X	
R166, 168, 170-176	X	O	X	X	X	O	X	X	2400
R184-186	X	O	O	O	O	O	O	O	
ST4, 5	X	O	X	X	X	O	X	X	
SW1	X	X	O	O	X	X	X	X	
TE2	O	O	X	X	X	X	X	O	
W3	X	X	O	O	X	X	X	X	

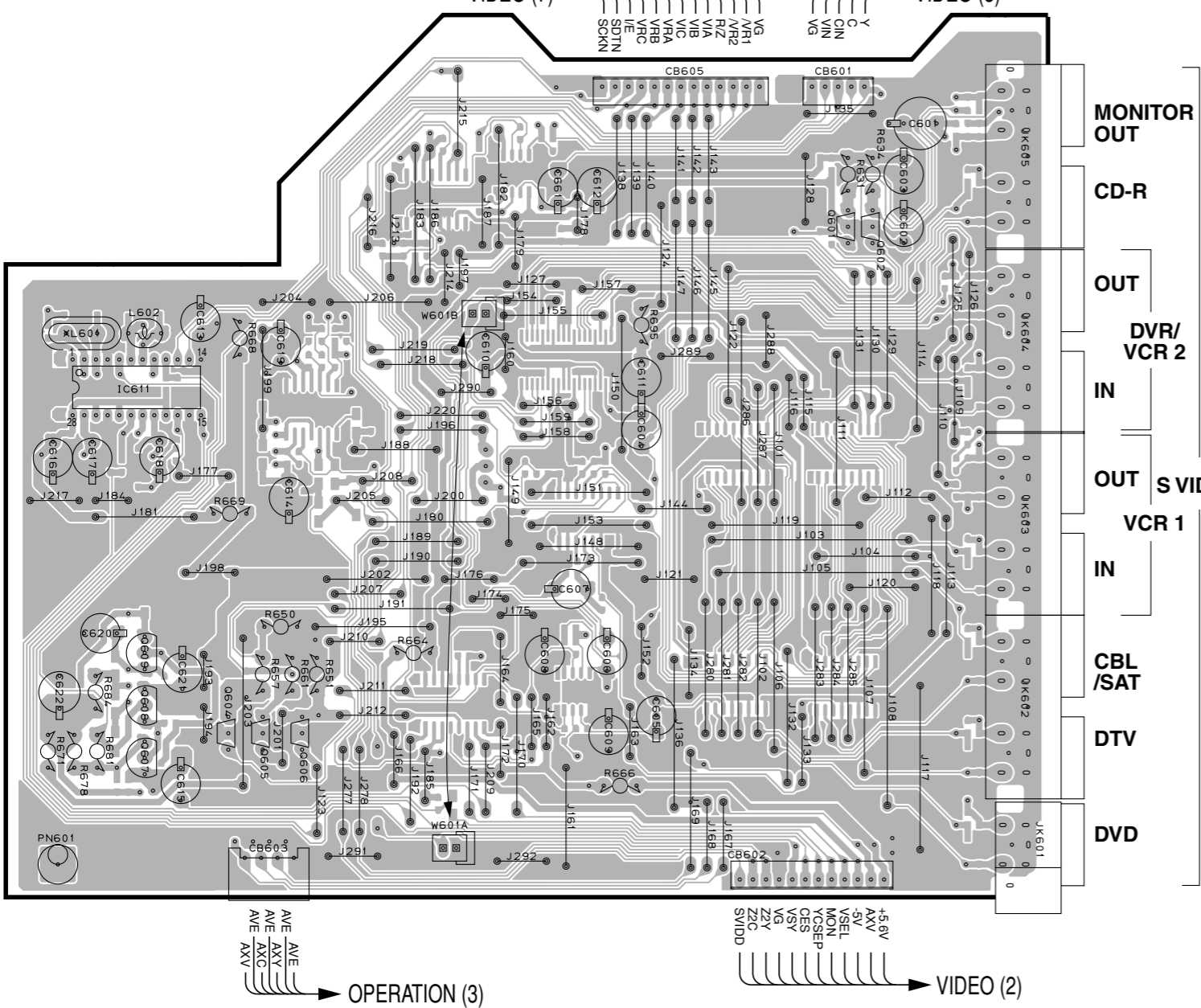
X: NOT USED
O: USED / APPLICABLE

Semiconductor Location

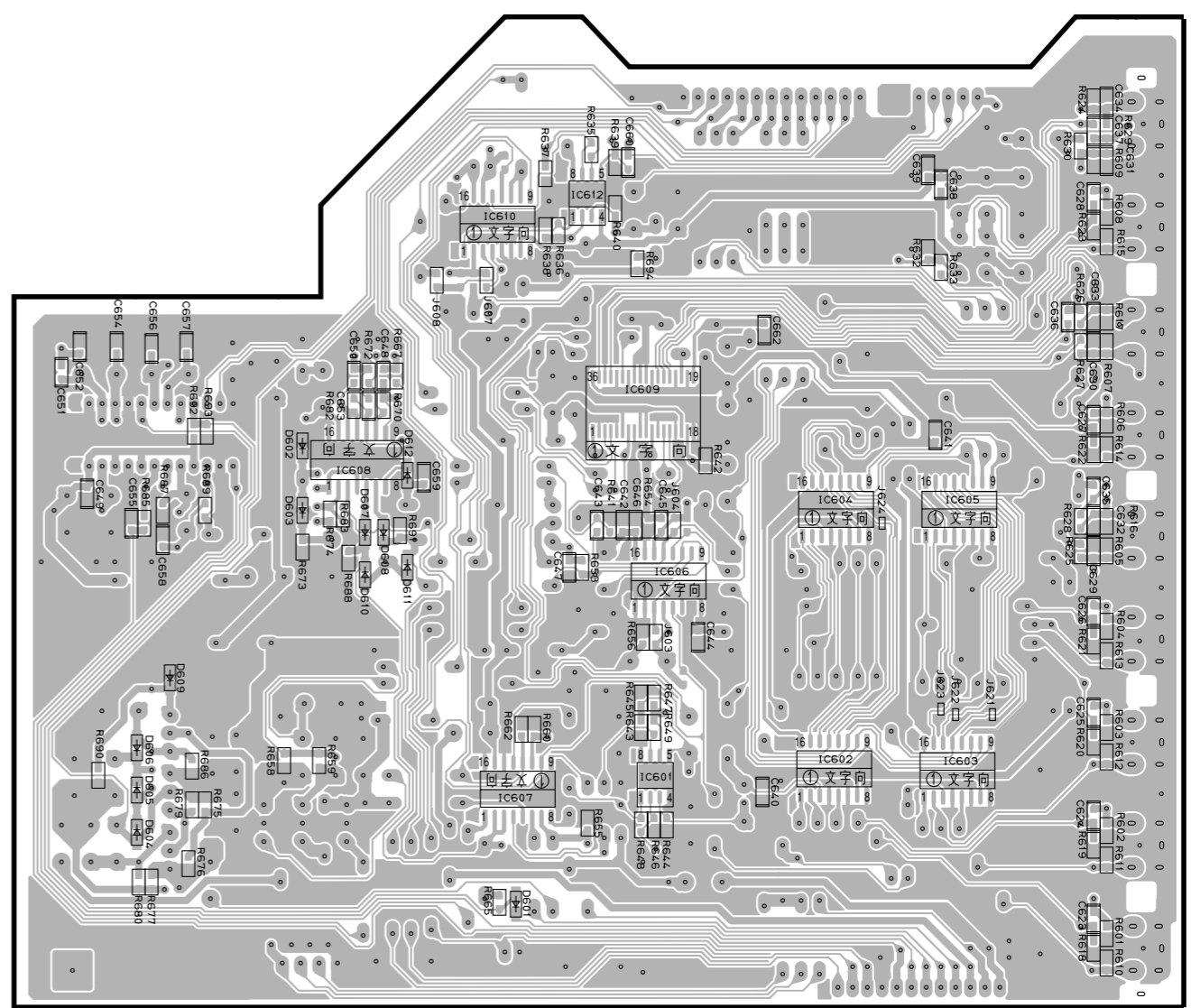
Ref. No.	Location
D1	D5
D2	D3
D3	D3
D4	C3
D5	C4
D6	C3
D7	C4
D8	C4
D9	C4
D10	D4
D11	C3
D44	D7, G7
D45	D7
D46	D7, G7
D47	D7
D48	C6, F6
D49	C6
D50	D4
D54	D5
Q1	C3
Q2	C3
Q3	D3
Q4	D3
Q5	C3
Q6	C3
Q45	E3
Q46	E2
Q47	E3
Q48	E2
Q49	F3
Q50	F2
Q51	D7
Q52	D7
Q53	D7, G7
Q54	D7
Q55	D3
Q56	D4

PRINTED CIRCUIT BOARD (Foil side) RX-V2400/RX-V2400RDS/DSP-AX2400

VIDEO (1) P. C. B. (Lead Type Device)



VIDEO (1) P. C. B. (Surface Mount Device)



• Semiconductor Location

Ref. No.	Location	Ref. No.	Location	Ref. No.	Location	Ref. No.	Location	Ref. No.	Location	Ref. No.	Location
D601	H5	D607	G3	IC601	I4	IC607	H4	Q601	E2	Q608	B4
D602	G3	D608	H3	IC602	I4	IC608	G3	Q602	E2	Q609	B4
D603	G3	D609	G4	IC603	J4	IC609	H3	Q604	B4		
D604	G5	D610	G4	IC604	I3	IC610	H2	Q605	B4		
D605	G4	D611	H4	IC605	J3	IC611	B3	Q606	B4		
D606	G4	D612	H3	IC606	I4	IC612	H2	Q607	B5		

Circuit No.	J	U,C	R	T	K	A	B,G	L
C517-520, 604, 643, 706	X	O	X	X	X	O	X	X
C554-556, 560-566	X	X	X	X	X	X	O	X
CB555	X	O	X	X	X	X	X	X
IC552	X	X	X	X	X	X	O	X
IC606, 702	X	O	X	X	X	X	O	X
J603, 604, 701	O	X	O	O	O	O	X	O
L551	X	X	X	X	X	X	O	X
PJ504	X	O	X	X	X	X	O	X
Q553	X	X	X	X	X	X	O	X
R511-514, 529-532, 722	X	O	X	X	X	X	O	X
R559-567, 569	X	X	X	X	X	X	O	X
R568	O	O	O	O	O	O	O	X
R571	X	O	O	X	X	X	X	O
R572	X	X	O	O	O	O	O	O
R573	O	X	X	O	O	O	O	X
R574	O	O	X	X	X	X	X	X
R692	X	X	X	O	X	O	O	O
R693	O	O	O	X	O	X	X	X
SW801	X	X	O	X	X	X	X	O
XL551	X	X	X	X	X	X	O	X

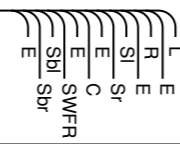
X: NOT USED
 O: USED / APPLICABLE

PRINTED CIRCUIT BOARD (Foil side) RX-V2400/RX-V2400RDS/DSP-AX2400

VIDEO (4) P. C. B.

(Lead Type Device)

FUNCTION



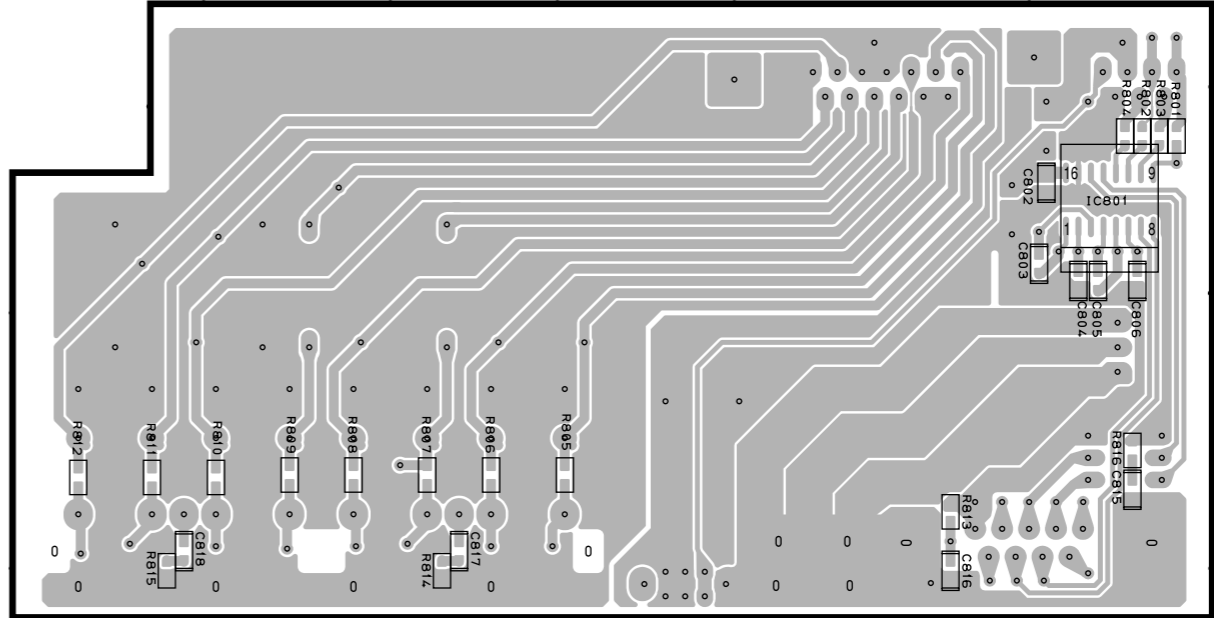
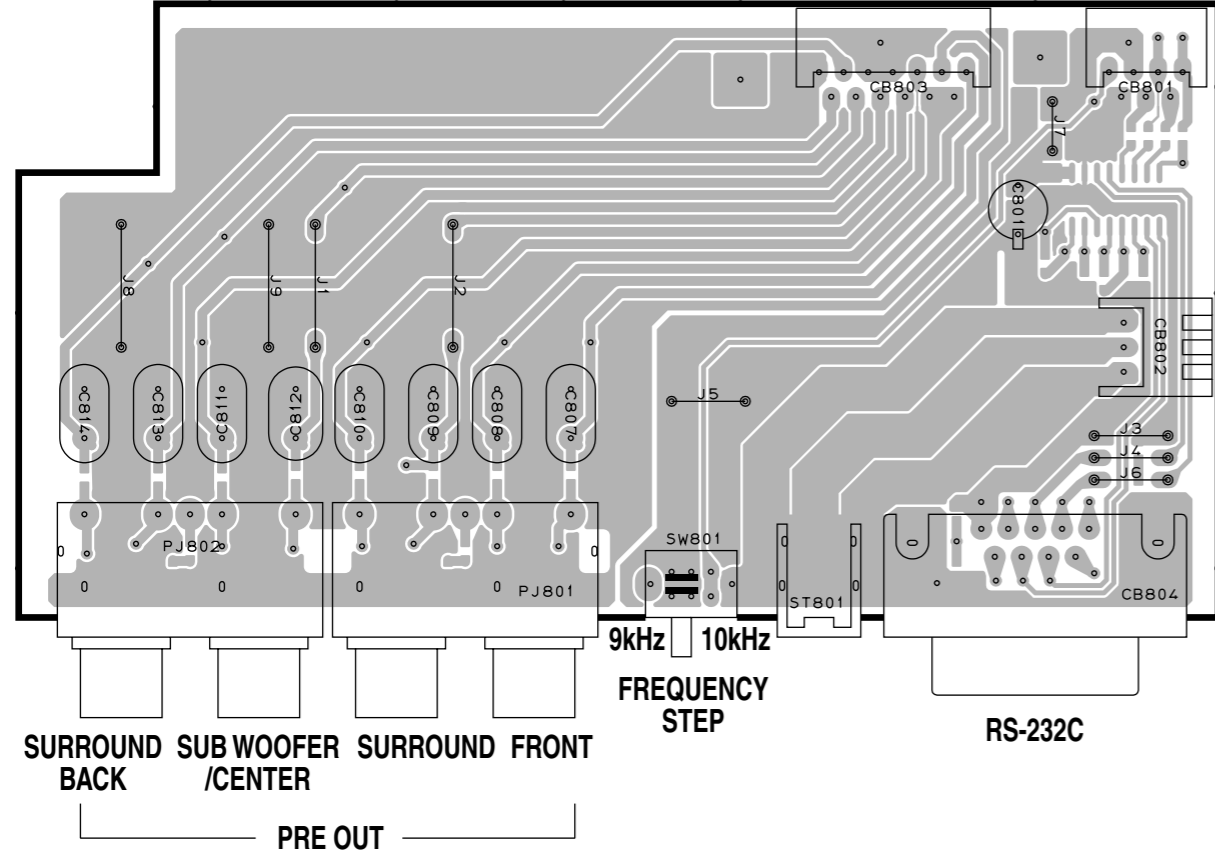
VIDEO (2)



VIDEO (4) P. C. B.

(Surface Mount Device)

POWER (3)
 DG
 G
 AG



• Semiconductor Location

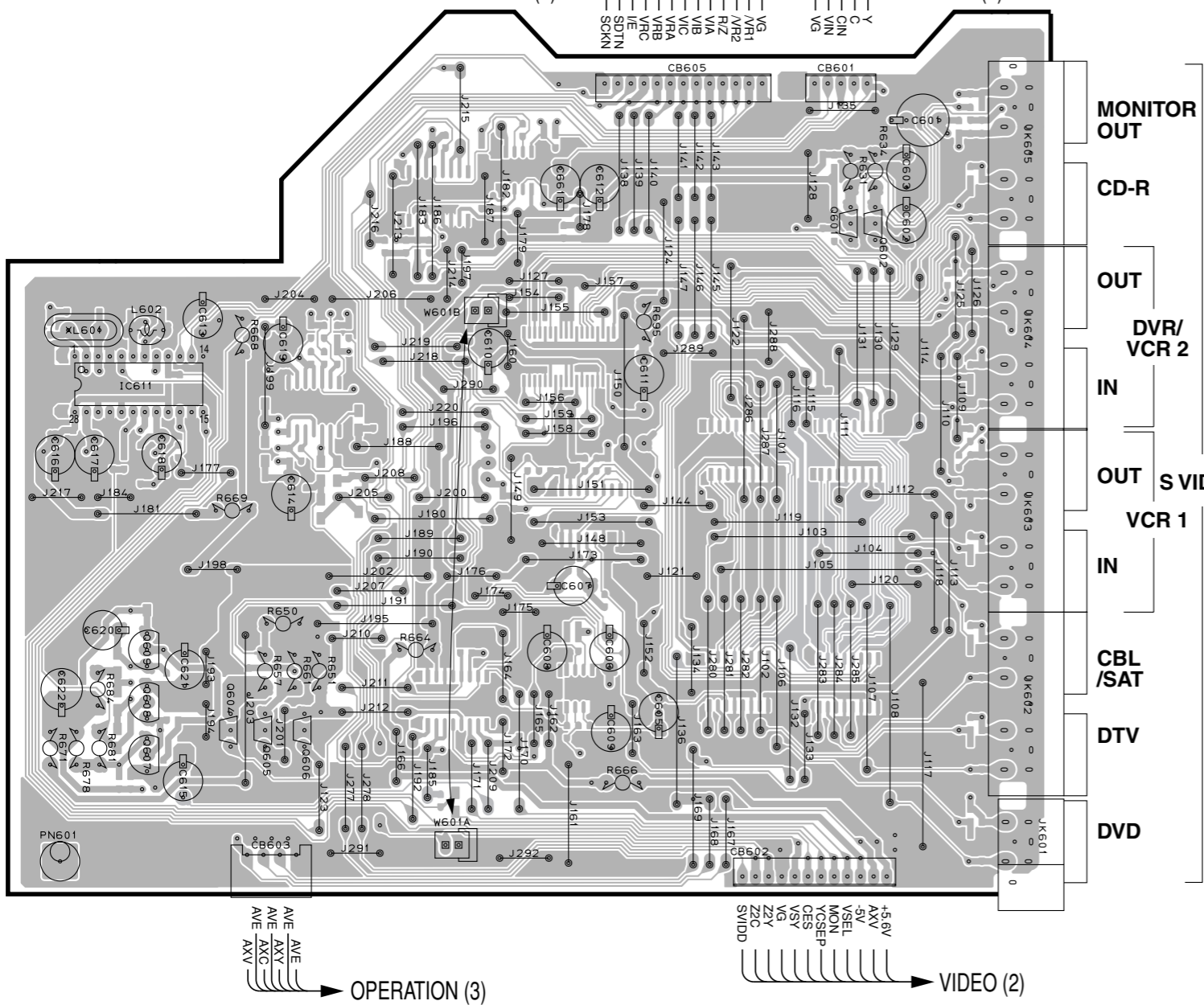
Ref. No.	Location
IC801	J2

Circuit No.	J	U, C	R	T	K	A	B, G	L
C517-520, 604, 643, 706	X	O	X	X	X	X	O	X
C554-556, 560-566	X	X	X	X	X	X	O	X
CB555	X	O	X	X	X	X	O	X
IC552	X	X	X	X	X	X	O	X
IC606, 702	X	O	X	X	X	X	O	X
J603, 604, 701	O	X	O	O	O	X	O	O
L551	X	X	X	X	X	X	O	X
PJ504	X	O	X	X	X	O	X	X
Q553	X	X	X	X	X	X	O	X
R511-514, 529-532, 722	X	O	X	X	X	O	X	X
R559-567, 569	X	X	X	X	X	X	O	X
R568	O	O	O	O	O	O	O	X
R571	X	O	O	X	X	X	O	O
R572	X	X	O	O	O	O	O	O
R573	O	X	X	O	O	O	O	X
R574	O	O	X	X	X	X	X	X
R692	X	X	X	O	X	O	O	O
R693	O	O	O	X	O	X	X	X
SW801	X	X	O	X	X	X	X	O
XL551	X	X	X	X	X	X	O	X

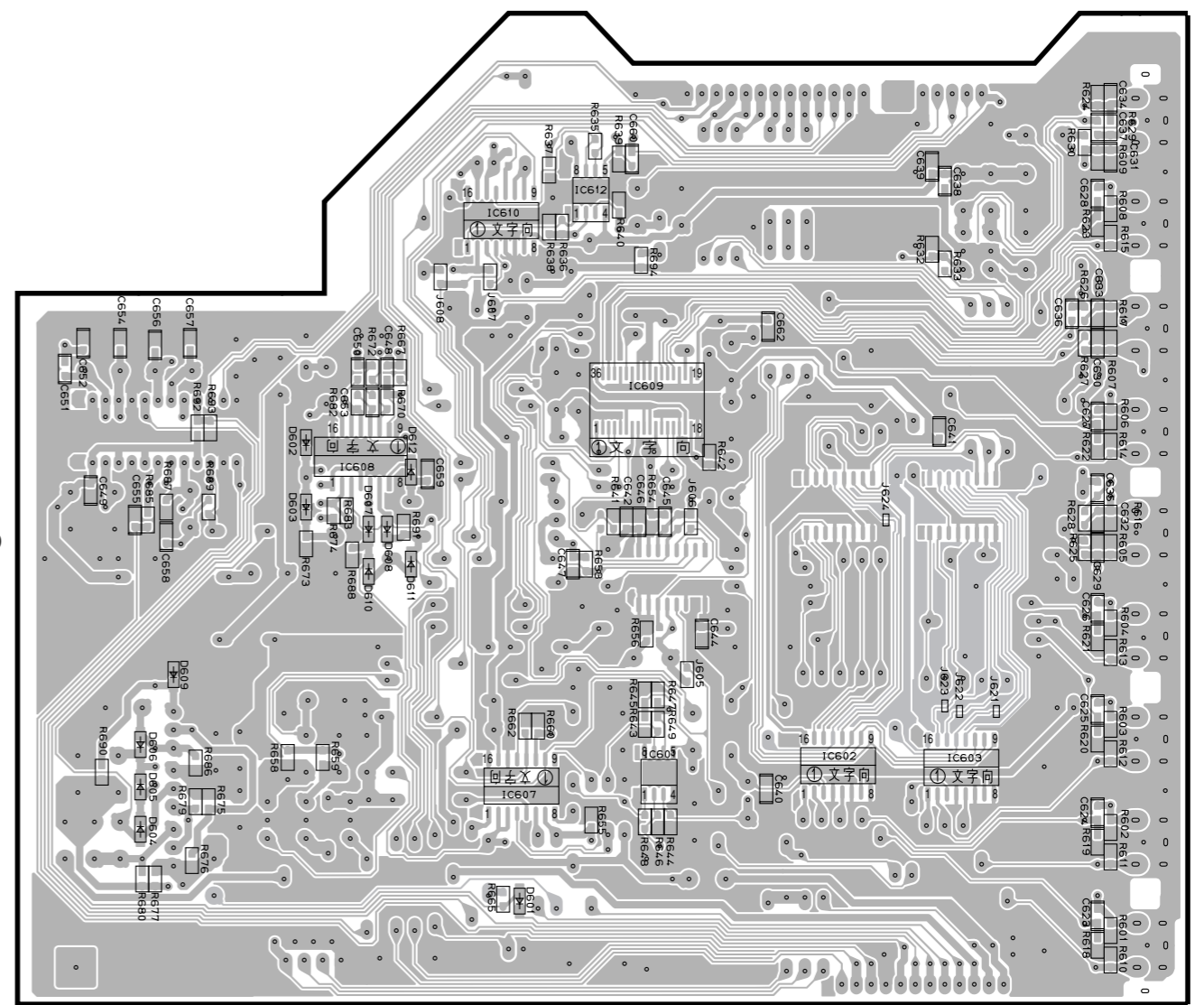
X: NOT USED
 O: USED / APPLICABLE

PRINTED CIRCUIT BOARD (Foil side) RX-V1400/RX-V1400RDS/HTR-5690/DSP-AX1400

VIDEO (1) P. C. B. (Lead Type Device)



VIDEO (1) P. C. B. (Surface Mount Device)



• Semiconductor Location

Ref. No.	Location	Ref. No.	Location	Ref. No.	Location	Ref. No.	Location	Ref. No.	Location
D601	H5	D607	G3	IC601	I4	IC610	H2	Q605	B4
D602	G3	D608	H3	IC602	I4	IC611	B3	Q606	B4
D603	G3	D609	G4	IC603	J4	IC612	H2	Q607	B5
D604	G5	D610	G4	IC607	H4	Q601	D2	Q608	B4
D605	G4	D611	H4	IC608	G3	Q602	E2	Q609	B4
D606	G4	D612	H3	IC609	H3	Q604	B4		

Circuit No.	J	U,C	R	T	K	A	B,G	L
C517-520	X	O	X	X	X	O	X	X
C554-556, 560-566	X	X	X	X	X	X	O	X
CB554, 801	X	X	O	X	X	X	X	O
CB555	X	O	X	X	X	O	X	X
IC552	X	X	X	X	X	X	X	X
LS51	X	X	X	X	X	X	O	X
PJ504	X	O	X	X	X	O	X	X
Q553	X	X	X	X	X	X	O	X
R511-514, 529-532	X	O	X	X	X	O	X	X
R559-567, 569	X	X	X	X	X	X	O	X
R568	O	O	O	O	O	O	O	X
R571	X	O	O	X	X	X	X	O
R572	X	X	O	O	O	O	O	O
R573	O	X	X	O	O	O	O	X
R574	O	O	X	X	X	X	X	X
R692	X	X	X	O	X	O	X	X
R693	O	O	O	X	O	O	X	X
SW801	X	X	O	X	X	X	X	O
XL551	X	X	X	X	X	X	O	X

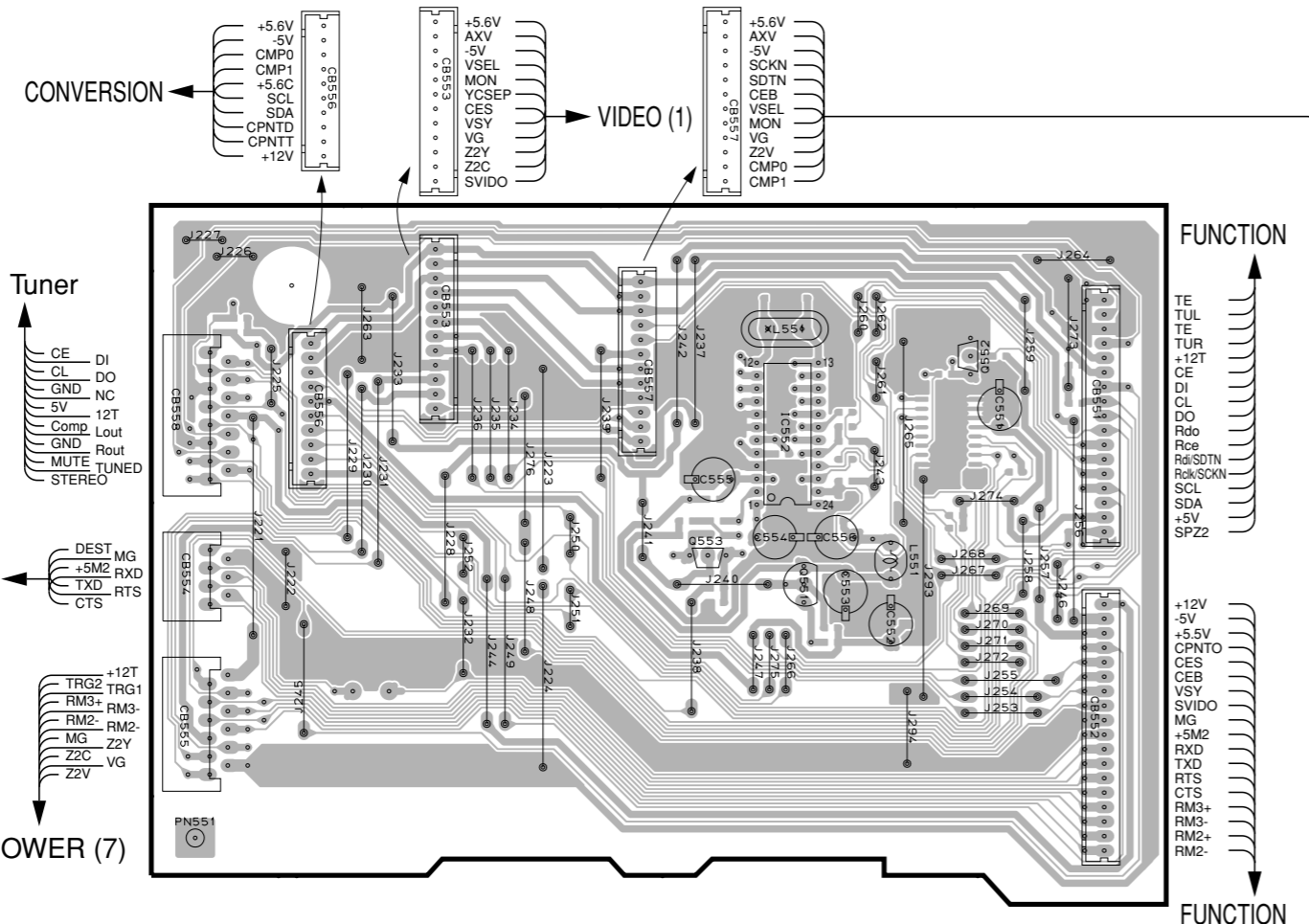
X: NOT USED
 O: USED / APPLICABLE

1 ■ PRINTED CIRCUIT BOARD (Foil side) RX-V1400/RX-V1400RDS/HTR-5690/DSP-AX1400

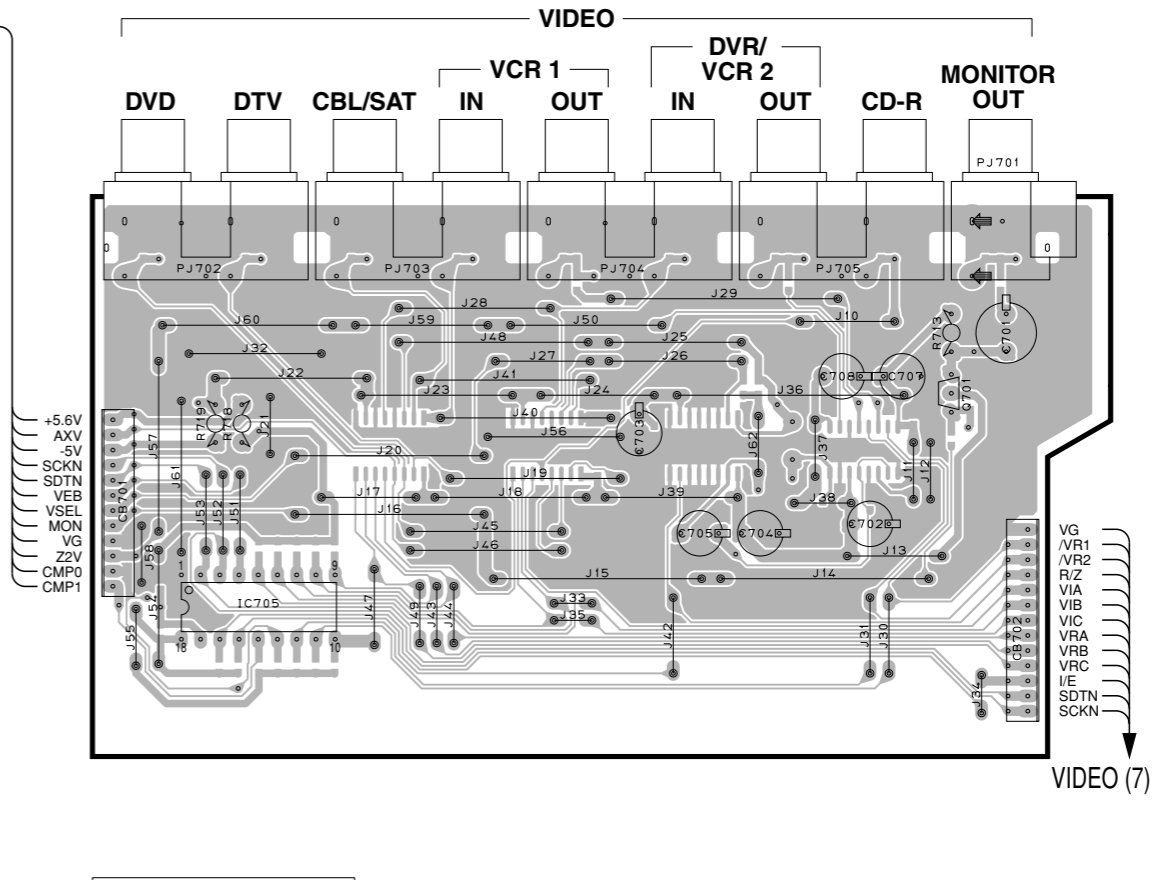
• Semiconductor Location

Ref. No.	Location
D551	D6
IC551	D6
IC552	D3
IC701	I6
IC703	H6
IC705	G4
Q551	D3
Q552	E3
Q553	D3
Q701	I3

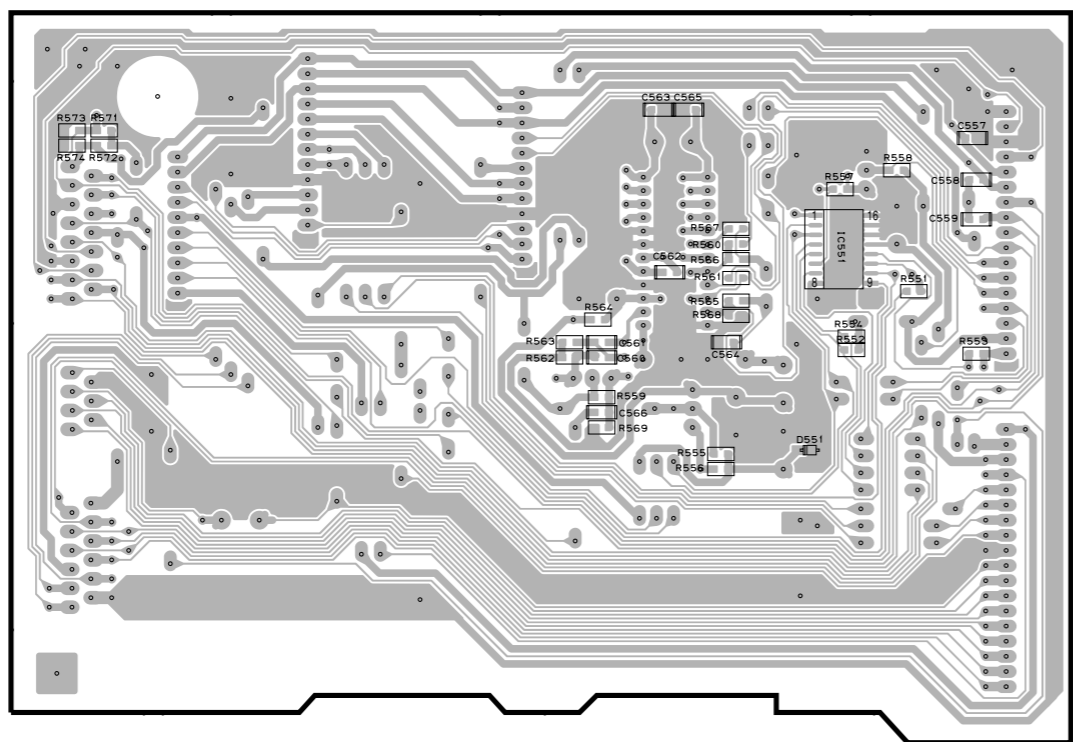
VIDEO (2) P. C. B. (Lead Type Device)



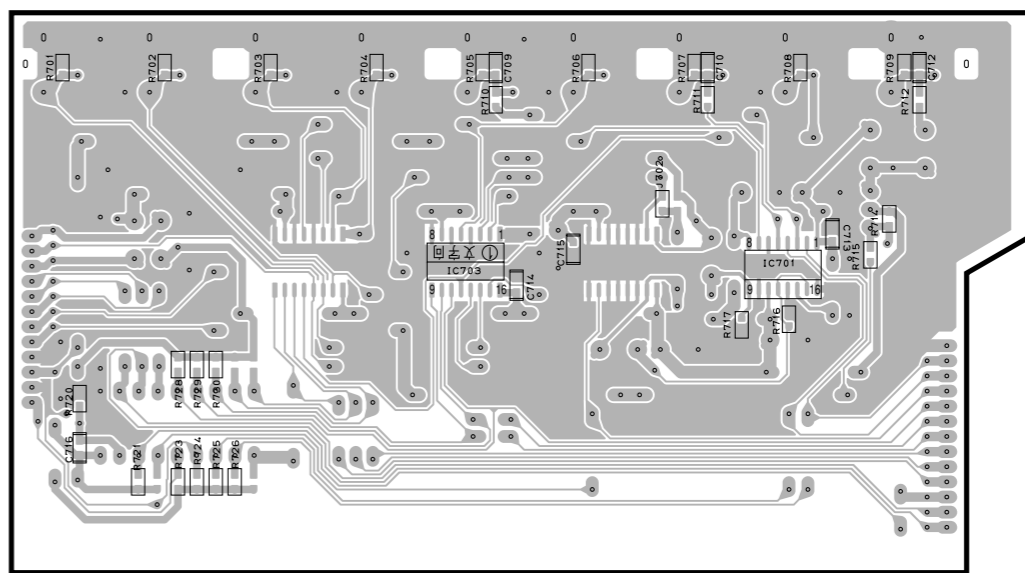
VIDEO (3) P. C. B. (Lead Type Device)



VIDEO (2) P. C. B. (Surface Mount Device)



VIDEO (3) P. C. B. (Surface Mount Device)

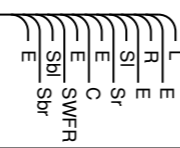


PRINTED CIRCUIT BOARD (Foil side) RX-V1400/RX-V1400RDS/HTR-5690/DSP-AX1400

VIDEO (4) P. C. B.

(Lead Type Device)

FUNCTION



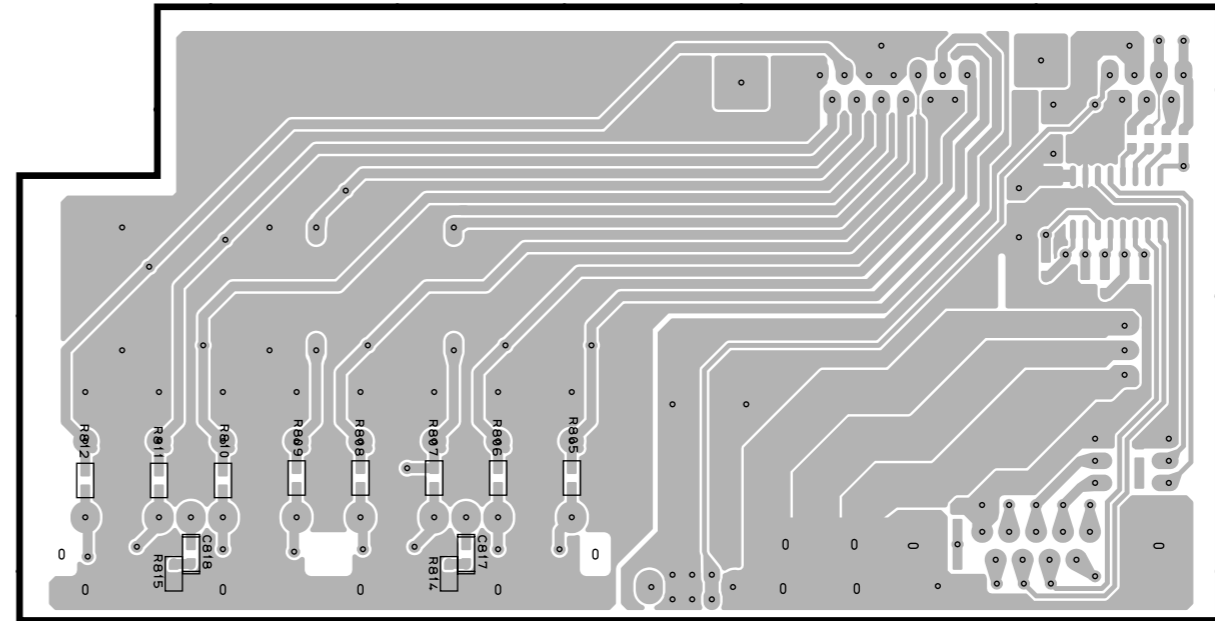
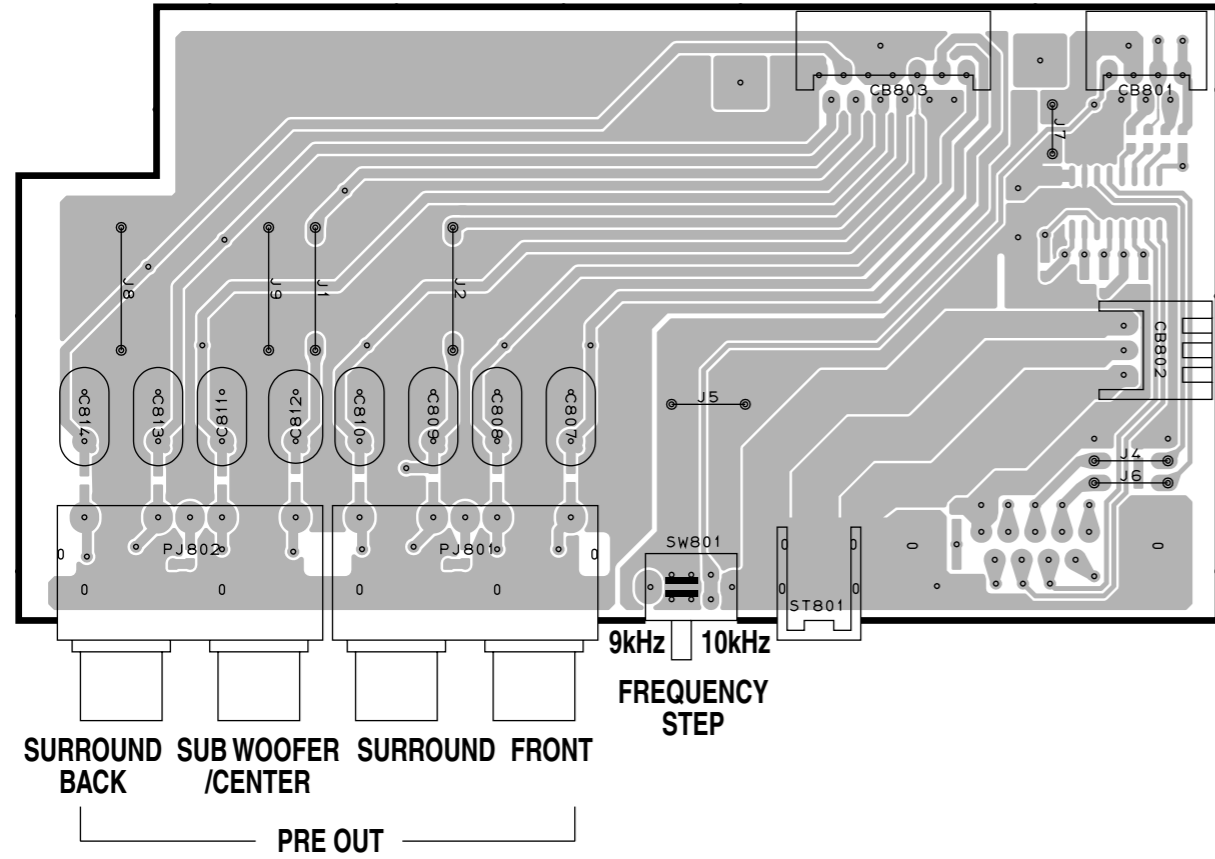
VIDEO (2)



VIDEO (4) P. C. B.

(Surface Mount Device)

POWER (3)
 DG
 G
 AG



Circuit No.	J	U,C	R	T	K	A	B,G	L
C517-520	X	O	X	X	X	O	X	X
C554-556, 560-566	X	X	X	X	X	X	O	X
CB554, 801	X	X	O	X	X	X	X	O
CB555	X	O	X	X	X	O	X	X
IC552	X	X	X	X	X	X	O	X
LS51	X	X	X	X	X	X	O	X
PJ504	X	O	X	X	X	O	X	X
Q553	X	X	X	X	X	X	O	X
R511-514, 529-532	X	O	X	X	X	O	X	X
R559-567, 569	X	X	X	X	X	X	O	X
R568	O	O	O	O	O	O	O	X
R571	X	O	O	X	X	X	X	O
R572	X	X	O	O	O	O	O	O
R573	O	X	X	O	O	O	O	X
R574	O	O	X	X	X	X	X	X
R692	X	X	X	O	X	O	O	O
R693	O	O	O	X	O	X	X	X
SW801	X	X	O	X	X	X	X	O
XL551	X	X	X	X	X	X	O	X

X: NOT USED
 O: USED / APPLICABLE

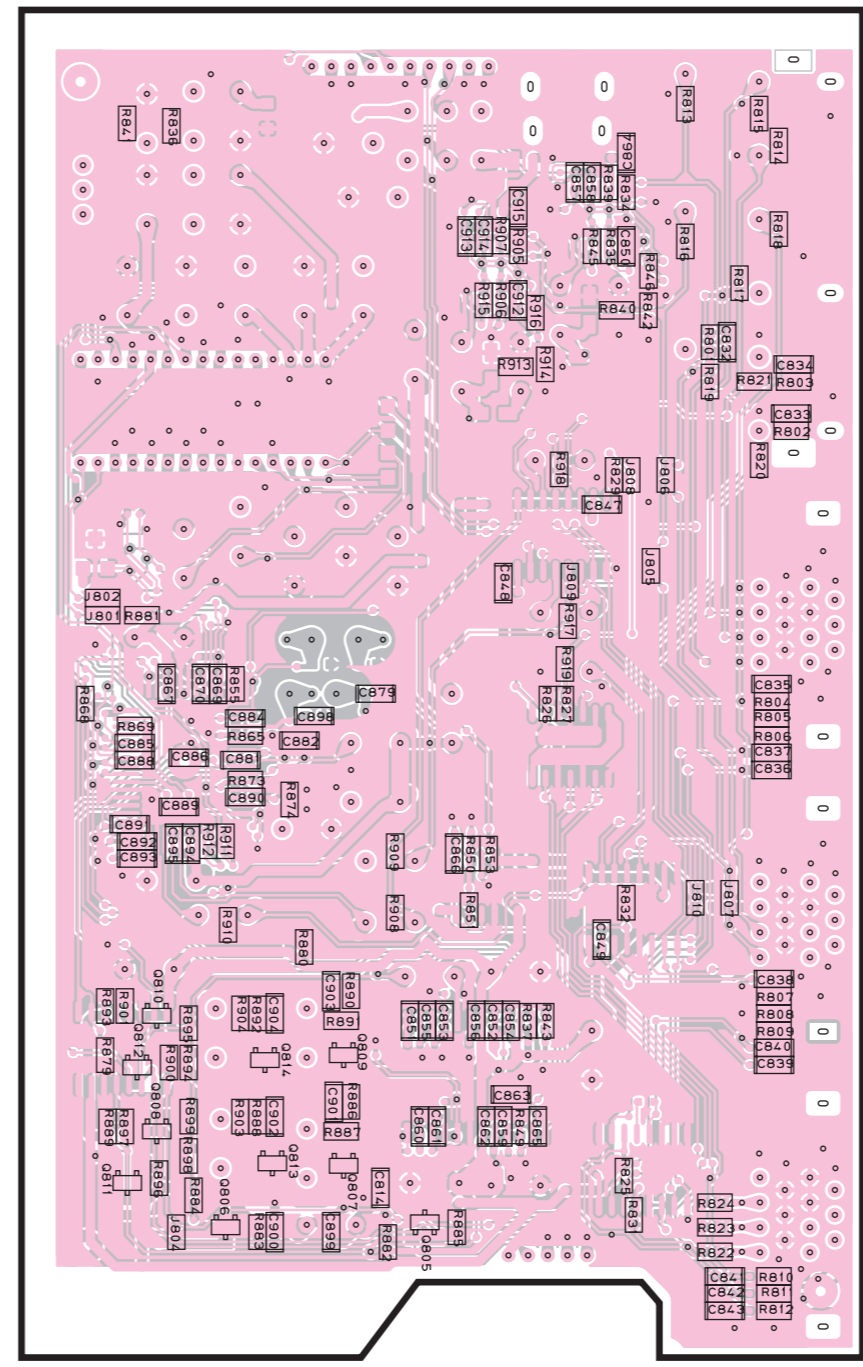
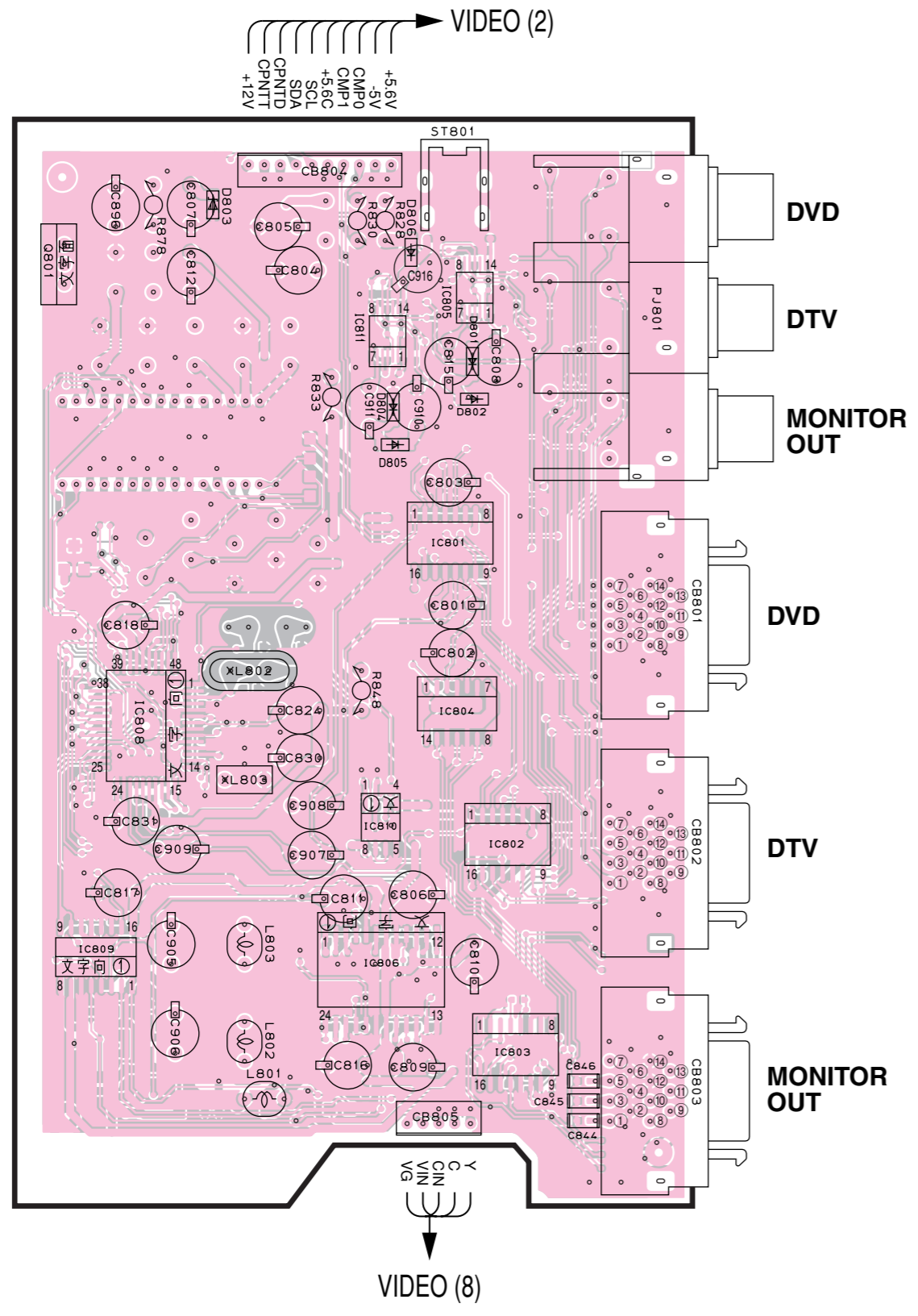
• Semiconductor Location

Ref. No.	Location
D801	C3
D802	C3
D803	B2
D804	C3
D805	C3
D806	C3
IC801	C4
IC802	C5
IC803	C6
IC804	C4
IC805	C3
IC806	C5
IC808	B5
IC809	A5
IC810	C5
IC811	C3
Q801	A3
Q805	F6
Q806	F6
Q807	F6
Q808	E6
Q809	F5
Q810	E5
Q811	E6
Q812	E6
Q813	F6
Q814	F5

■ PRINTED CIRCUIT BOARD (Foil side) RX-V1400/RX-V1400RDS/HTR-5690/DSP-AX1400

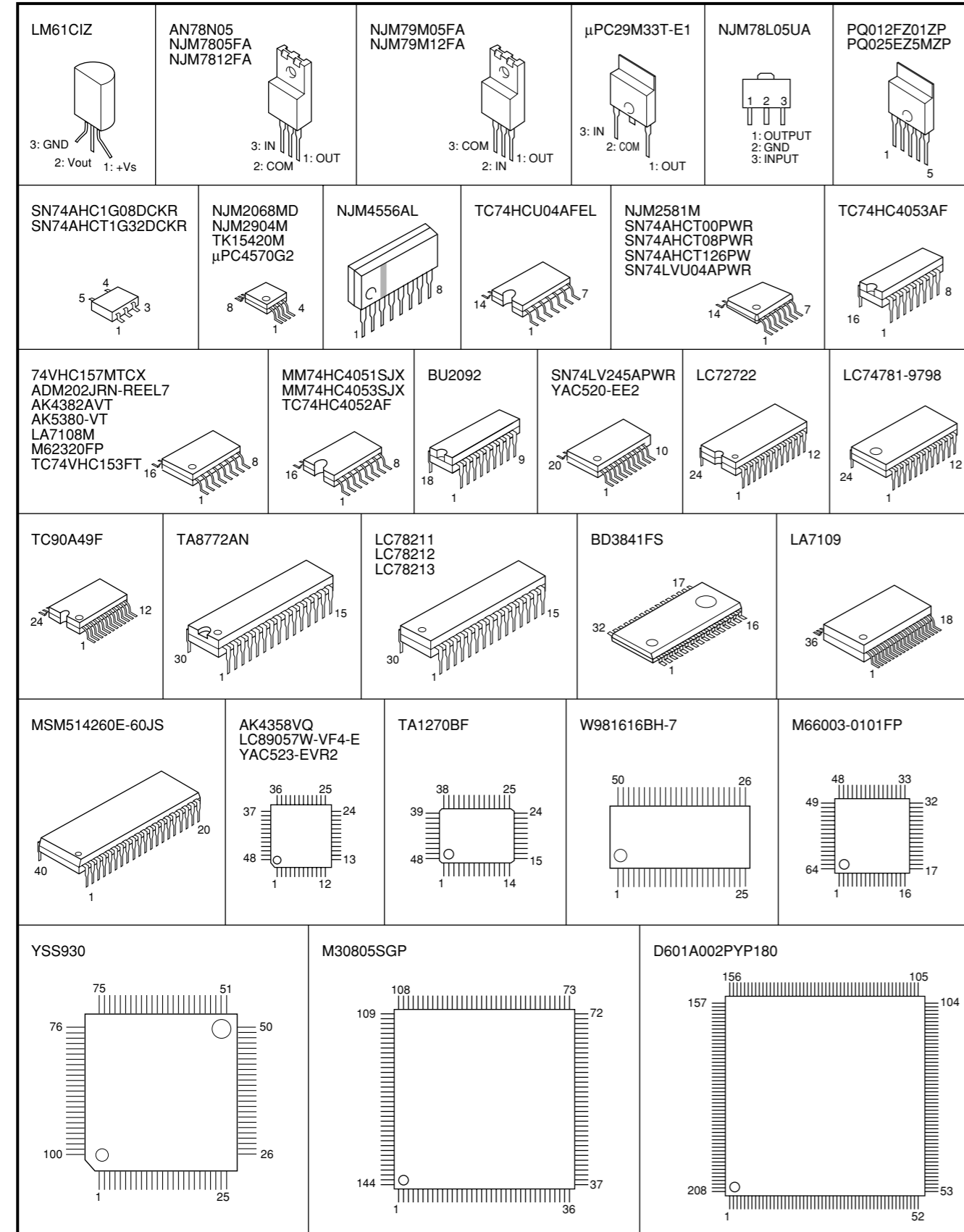
CONVERSION P. C. B. (Lead Type Device)

CONVERSION P. C. B. (Surface Mount Device)

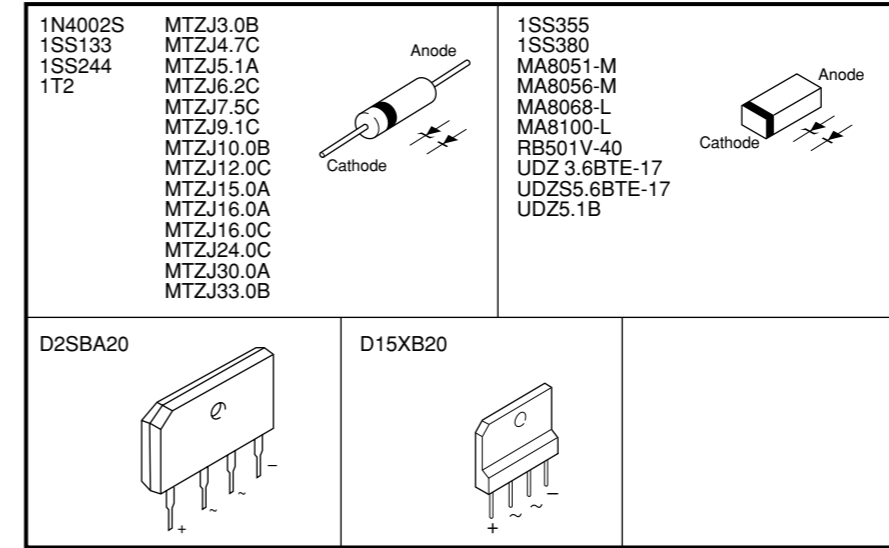


PIN CONNECTION DIAGRAM

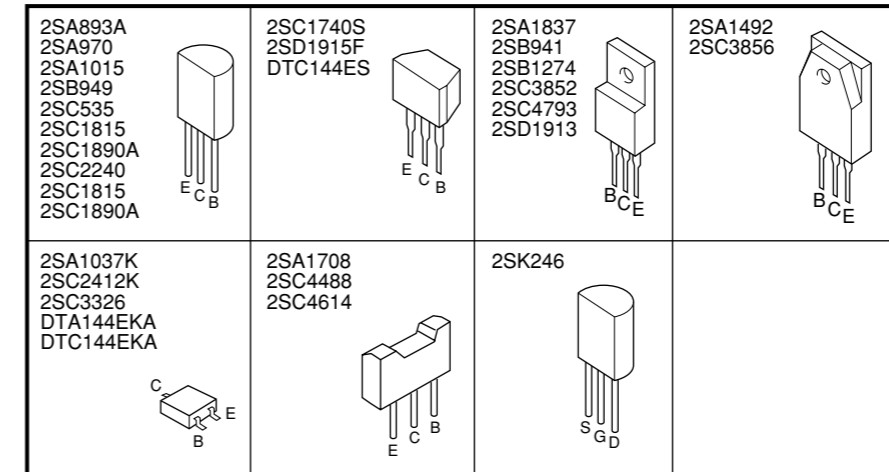
ICs



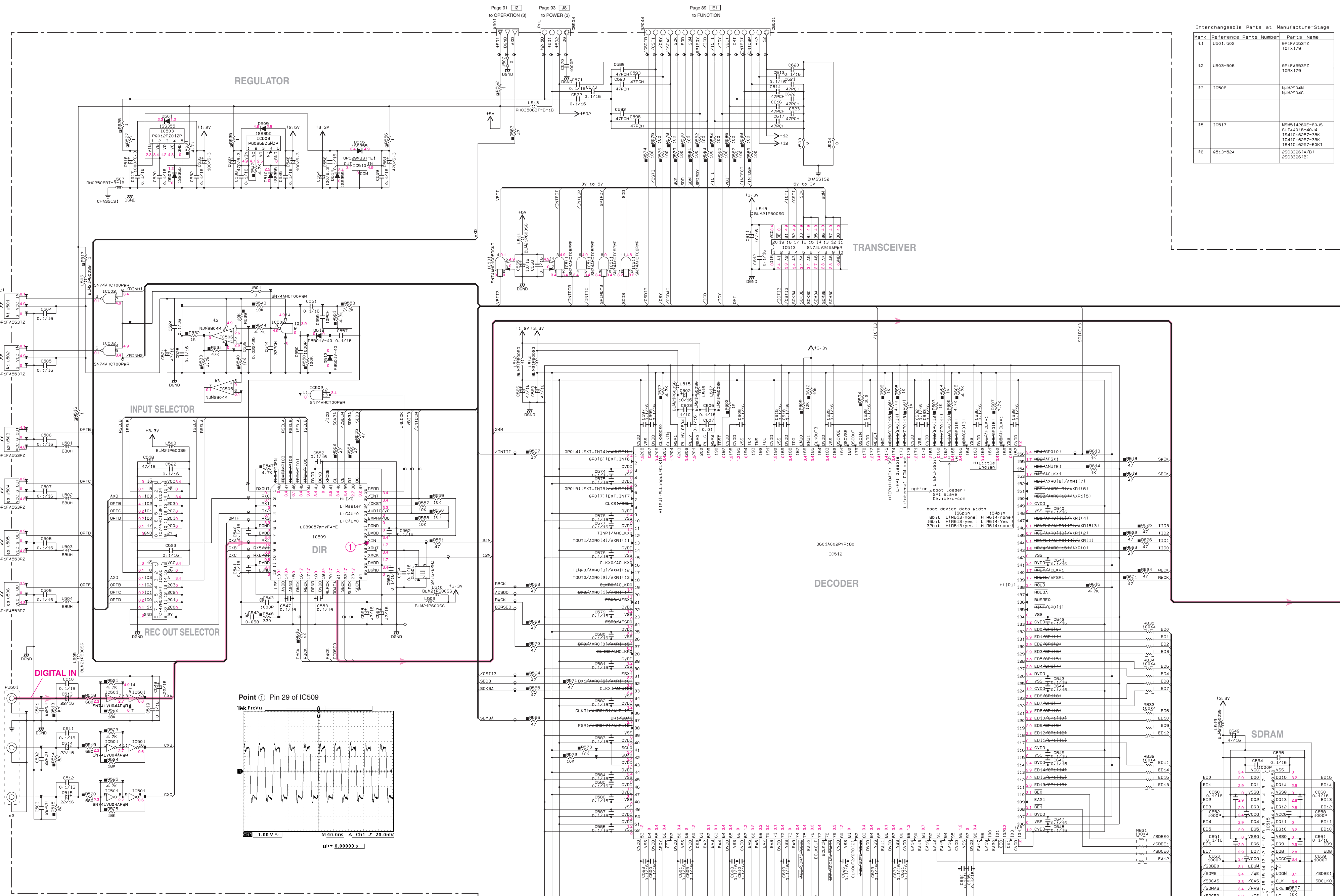
Diodes



Transistors

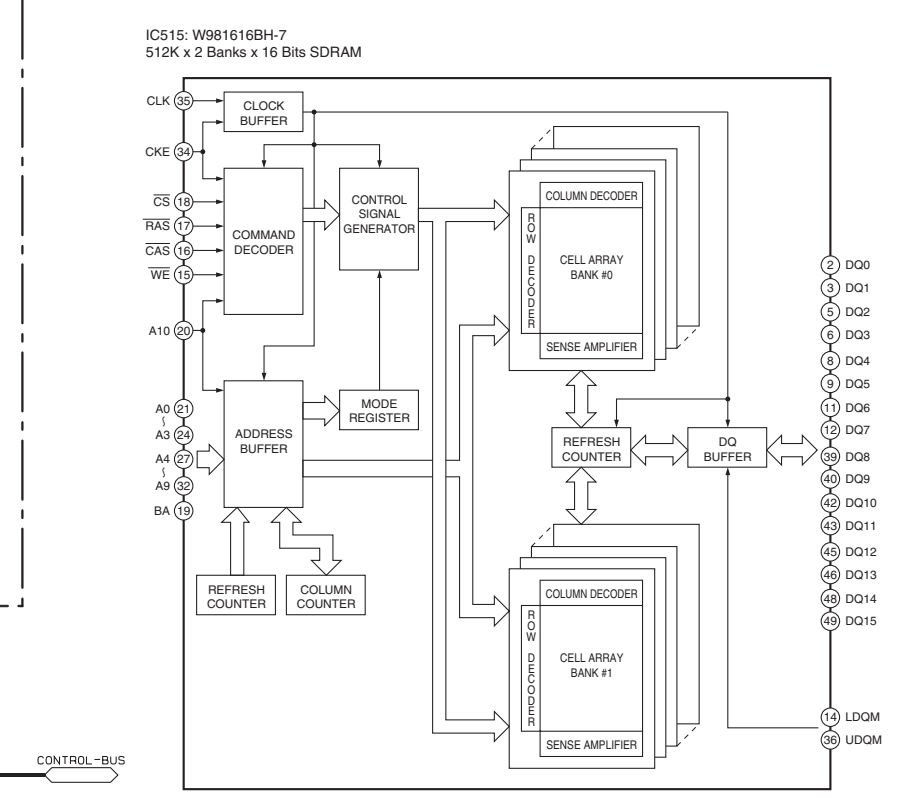


1
2
3
4
5
6
7
8
9
10



Interchangeable Parts at Manufacture-Stage

Mark	Reference Parts Number	Parts Name
K1	U001-002	GP1FA9531Z 1074179
K2	U003-006	GP1FA9531Z 1074179
K3	IC506	NLM2904M NLM2904G
K5	IC517	MUM514260E-60J5 05144016R40-24 1541C16297-35K 1541C16297-60K1
K6	D513-D524	25C330814/FB1 25C330814/FB1



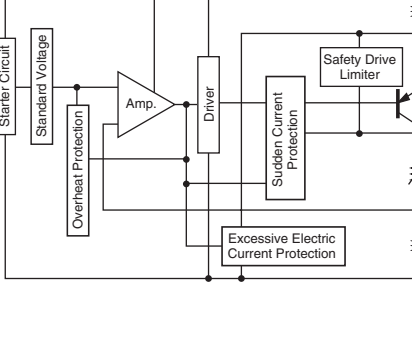
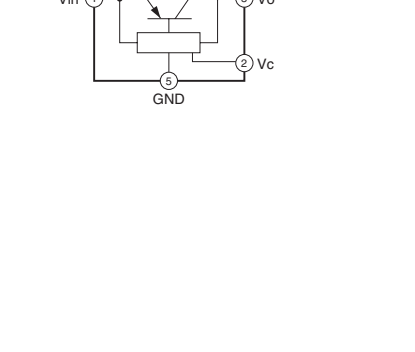
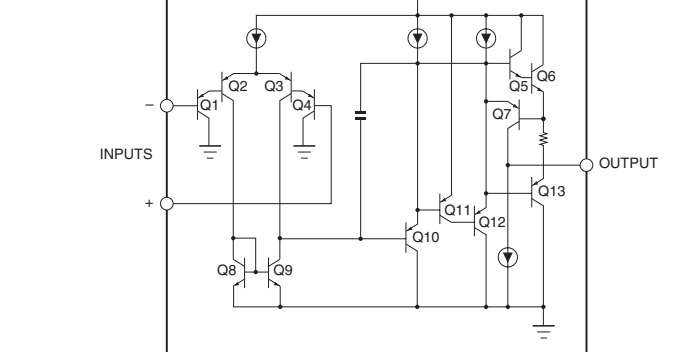
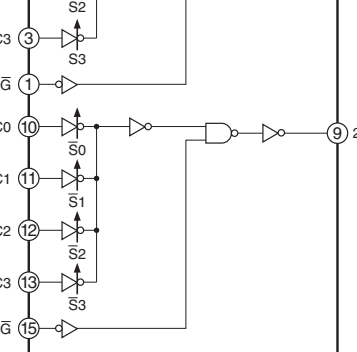
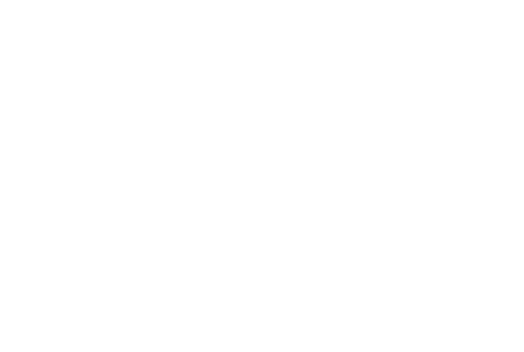
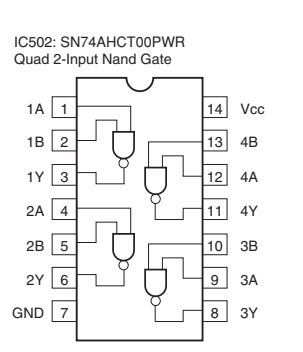
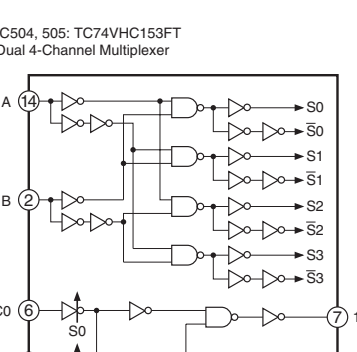
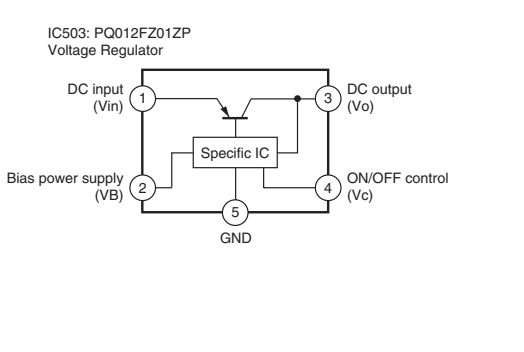
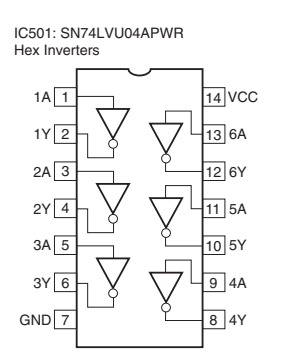
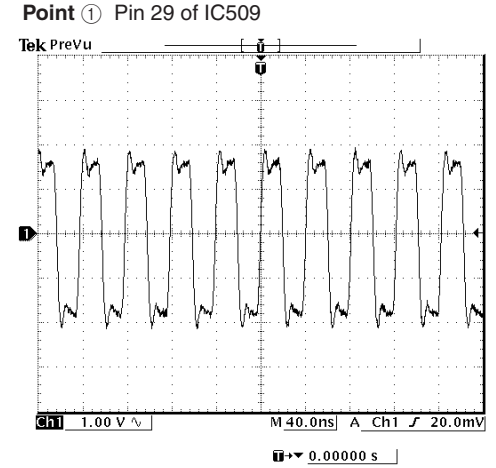
CAPACITOR

REMARKS	PARTS NAME	
NO MARK	ELECTROLYTIC CAPACITOR	EF
⊗	TANTALUM CAPACITOR	
NO MARK	CERAMIC CAPACITOR	
⊙	CERAMIC TUBULAR CAPACITOR	
⊖	POLYESTER FILM CAPACITOR	
⊕	POLYSTYRENE FILM CAPACITOR	
⊗	MICA CAPACITOR	
⊖	POLYPROPYLENE FILM CAPACITOR	
⊕	SEMICONDUCTIVE CERAMIC CAPACITOR	
⊖	POLYPHENYLENE SULFIDE FILM CAPACITOR	

RESISTOR

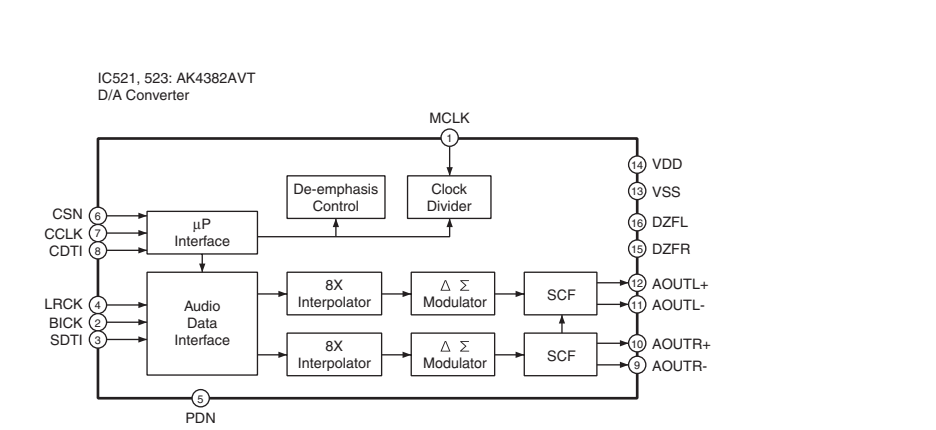
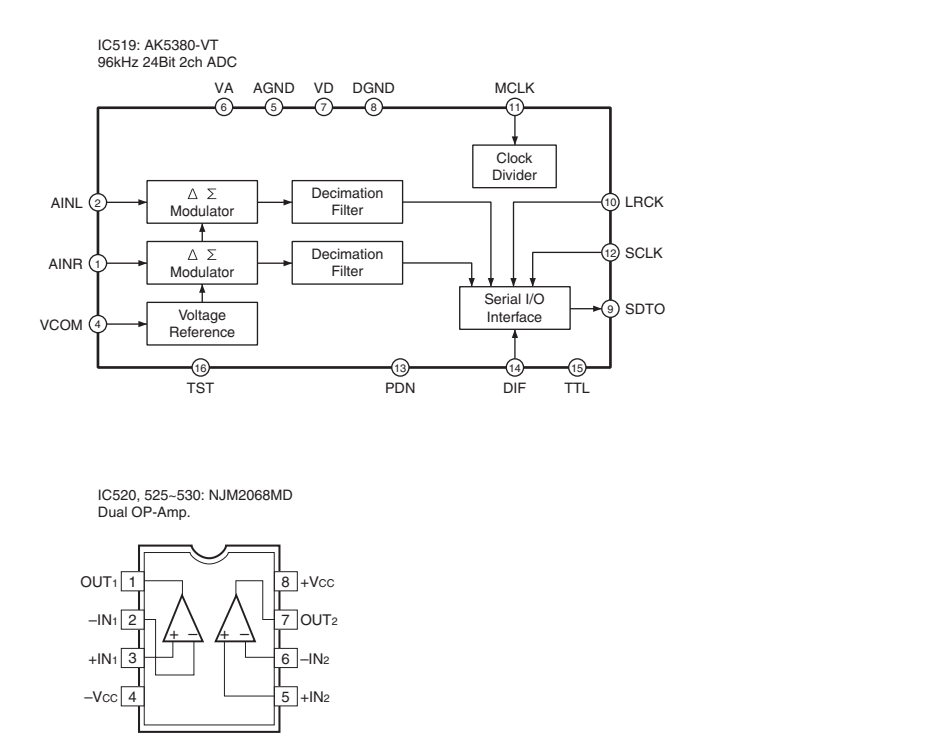
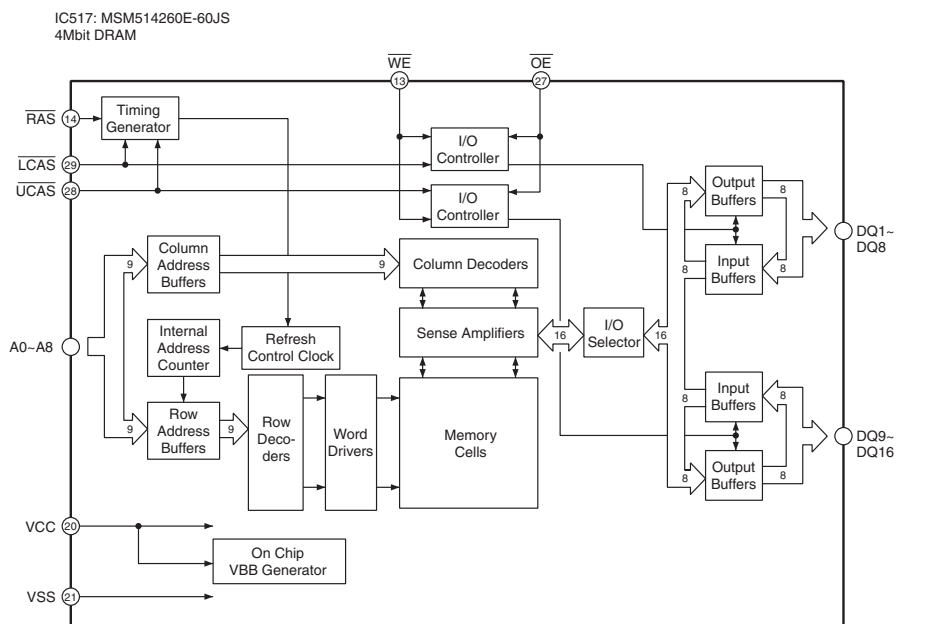
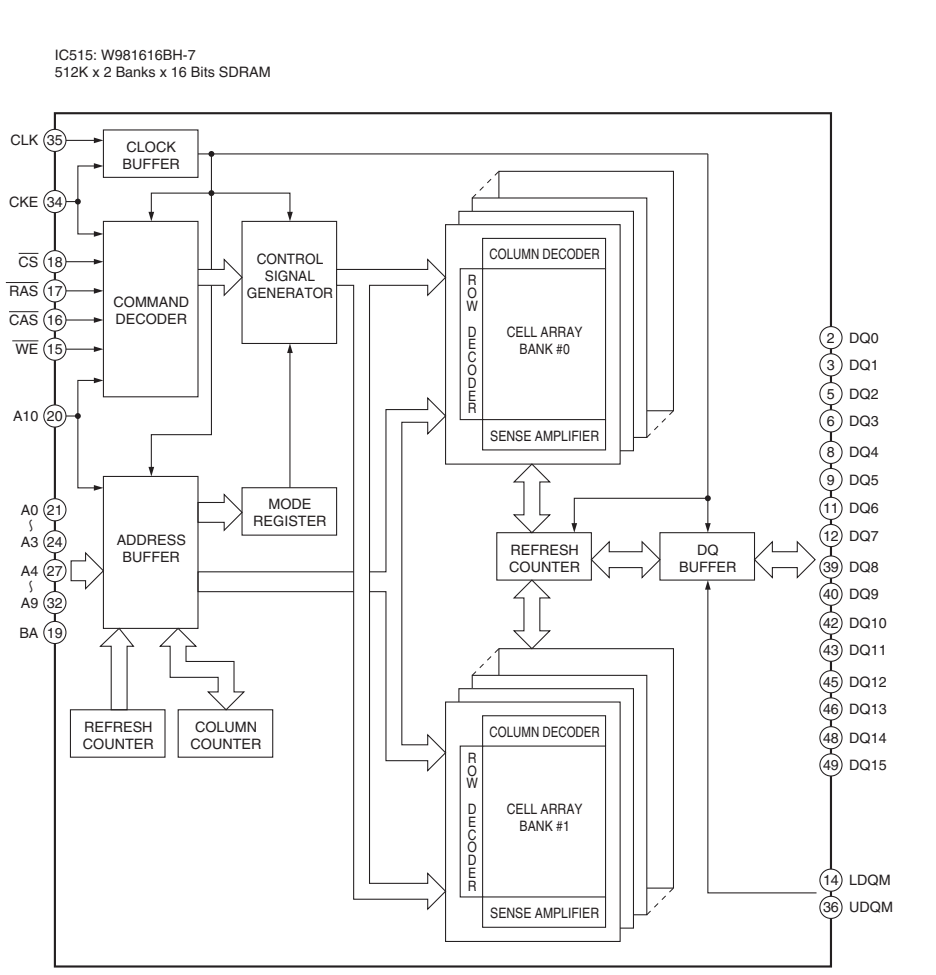
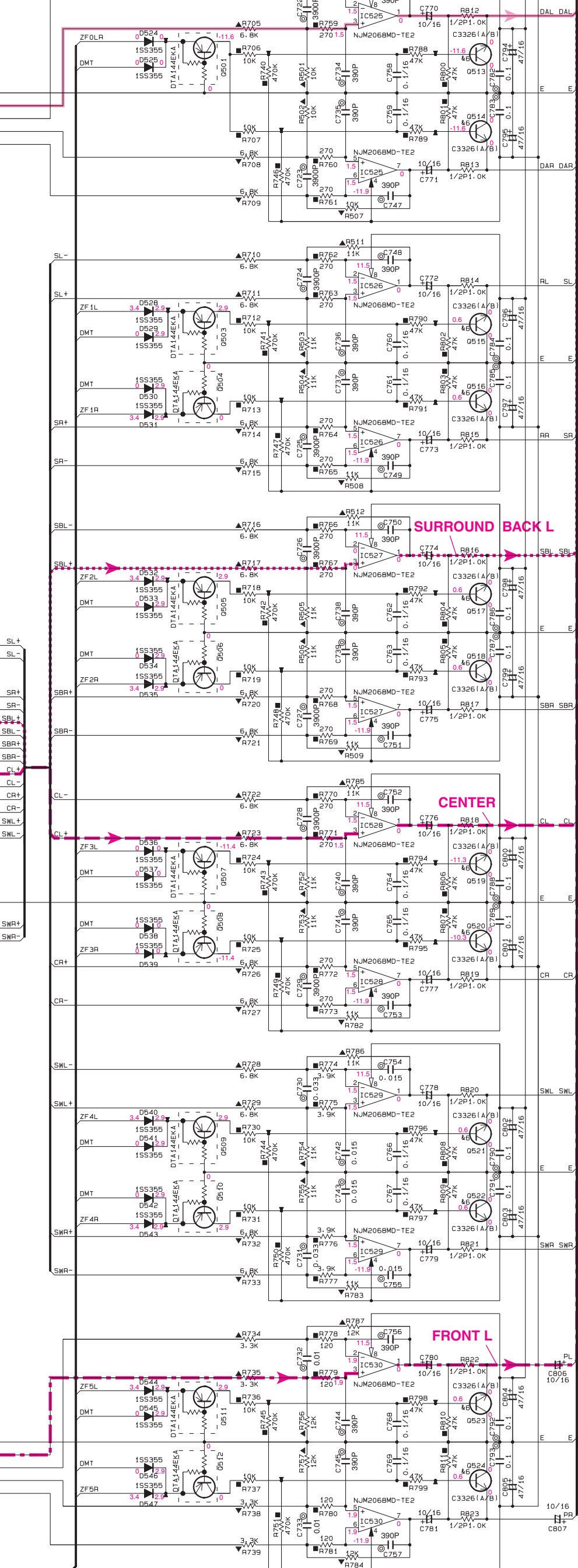
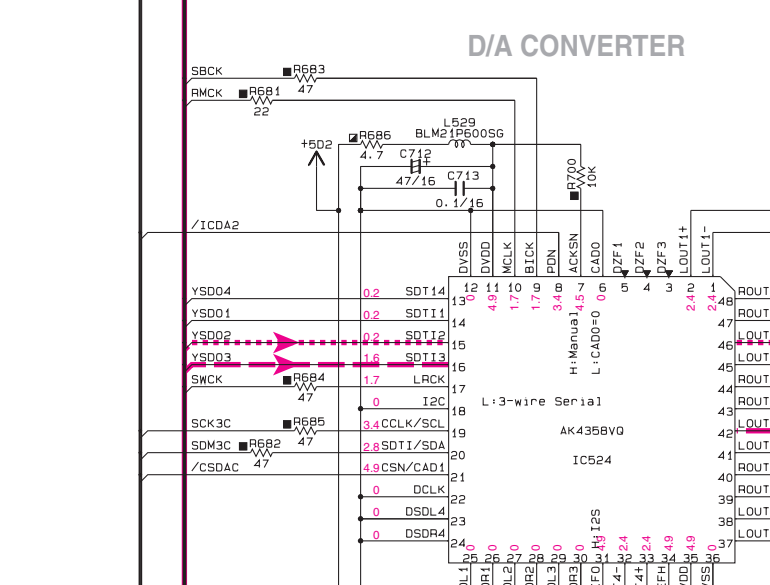
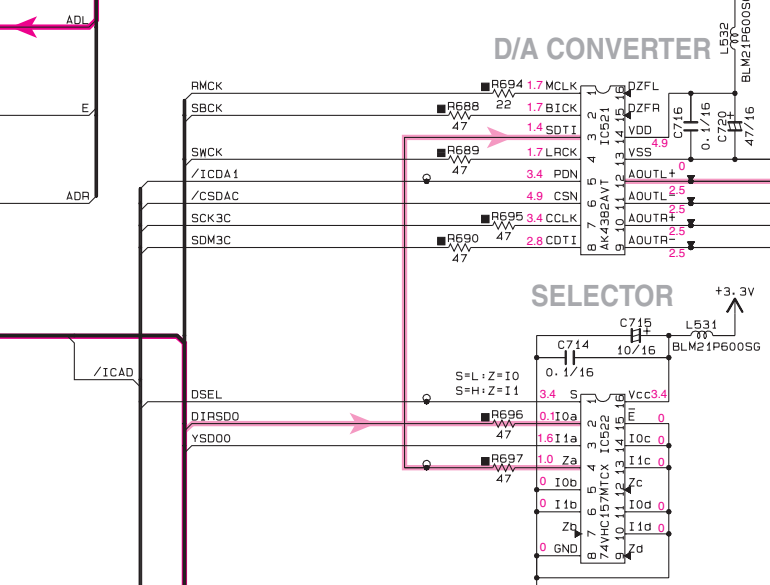
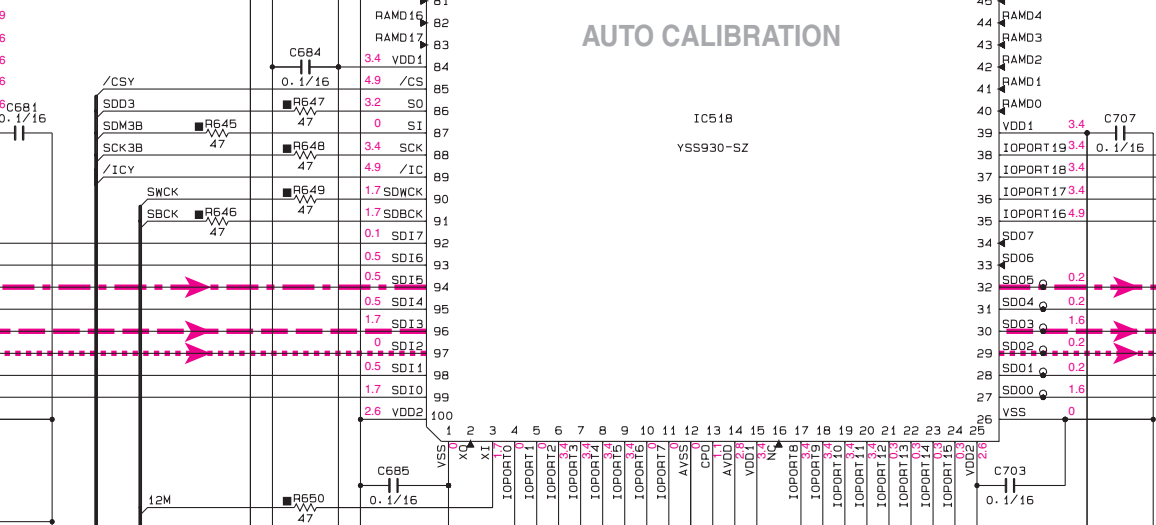
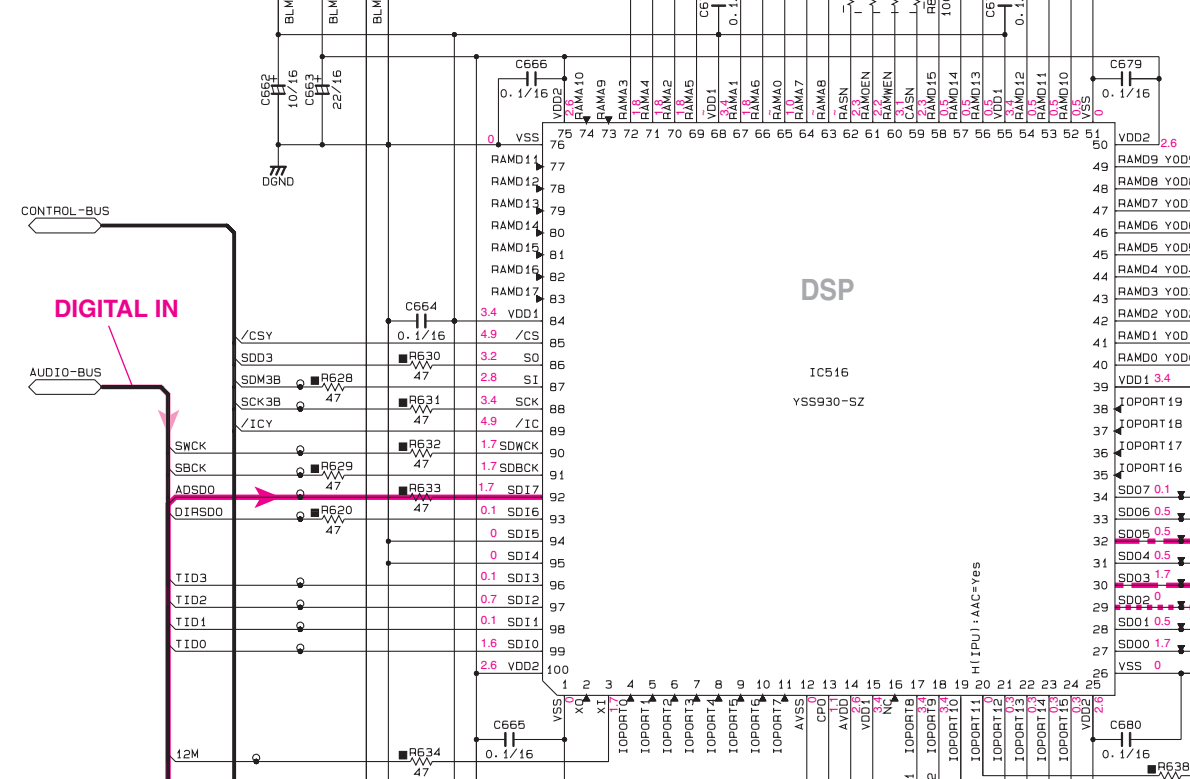
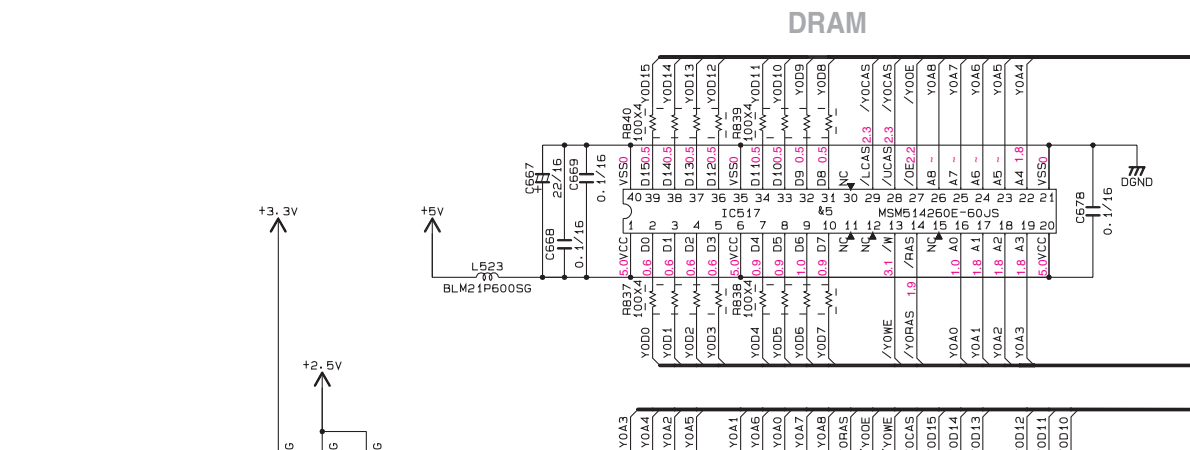
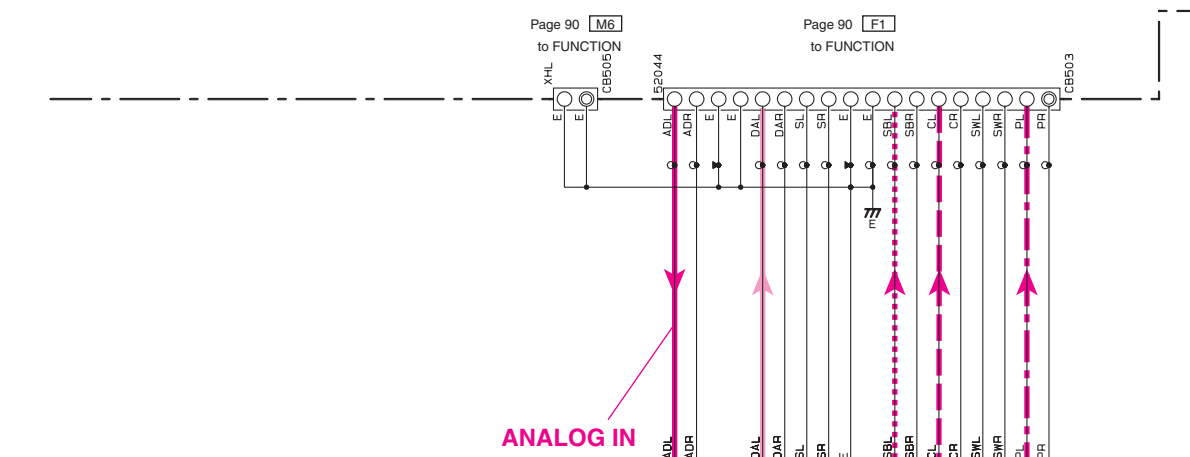
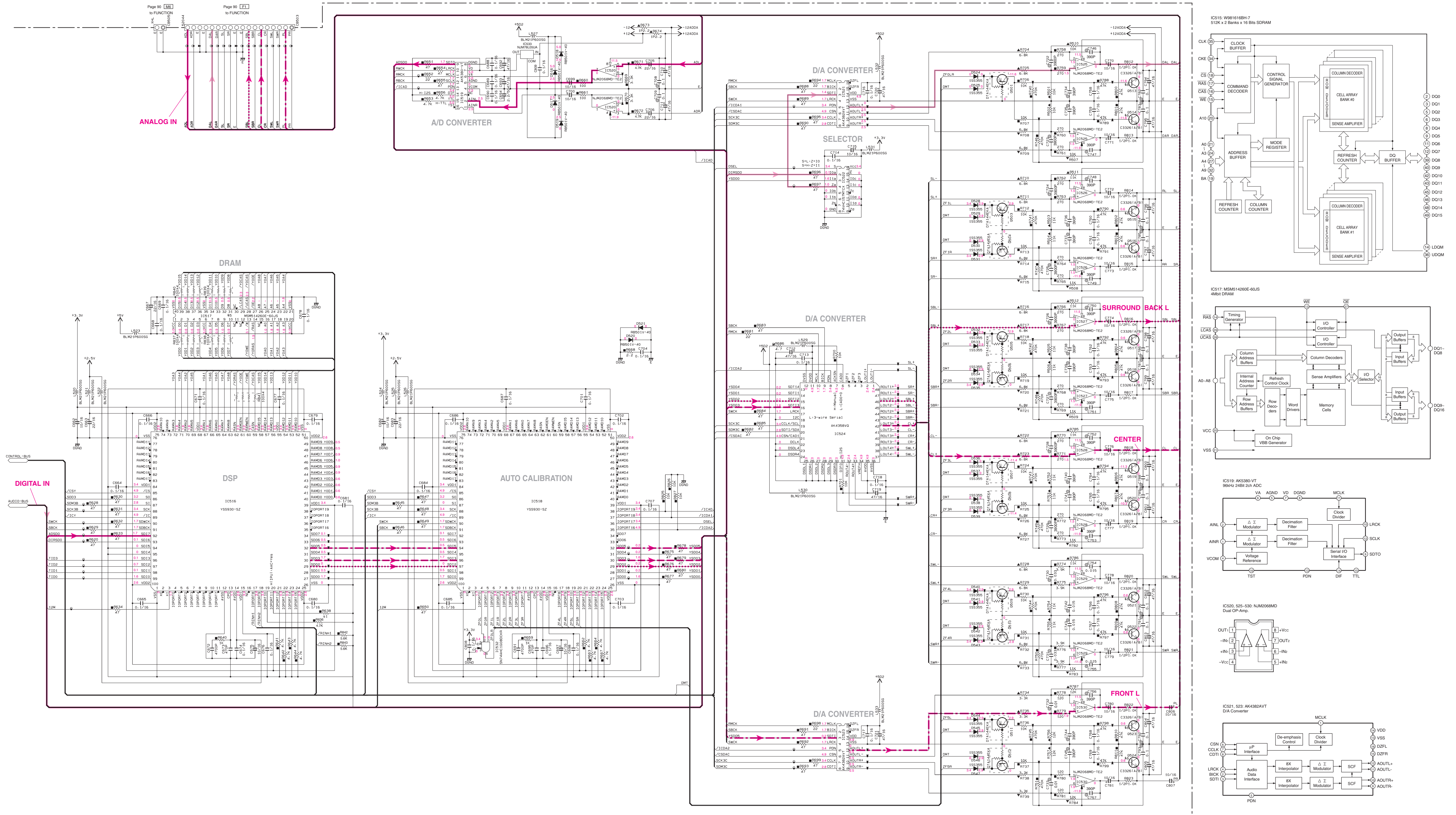
REMARKS	PARTS NAME	
NO MARK	CARBON FILM RESISTOR (P=6)	
⊗	CARBON FILM RESISTOR (P=10)	
△	METAL OXIDE FILM RESISTOR	
⊖	METAL FILM RESISTOR	
⊕	METAL PLATE RESISTOR	
⊖	FIRE PROOF CARBON FILM RESISTOR	
⊕	CEMENT MOLDED RESISTOR	
⊖	SEMI-VARIABLE RESISTOR	
⊖	CHIP RESISTOR	

NOTICE (mode1)
 (J)..... JAPAN
 (U)..... U.S.A.
 (C)..... CANADA
 (R)..... GENERAL
 (T)..... CHINA
 (K)..... KOREA
 (A)..... AUSTRALIA
 (B)..... BRITISH
 (L)..... EUROPE
 (S)..... SINGAPORE



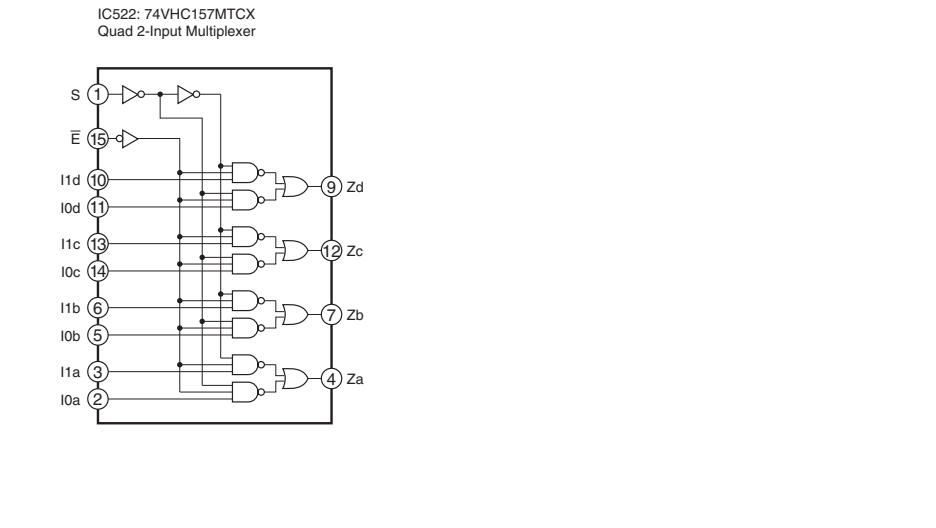
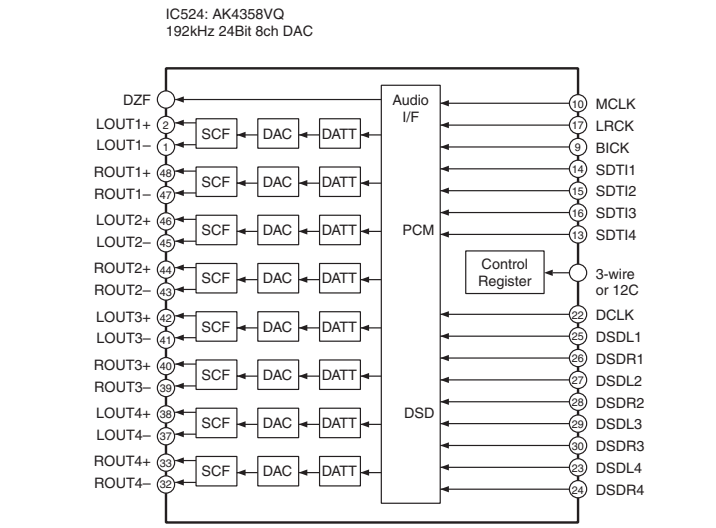
★ All voltages are measured with a 10MΩ/V DC electronic volt meter.
 ★ Components having special characteristics are marked with a triangle and must be replaced with parts having specifications equal to those originally installed.
 ★ Schematic diagram is subject to change without notice.
 ● 電圧は、内部抵抗10MΩの電圧計で測定したものです。
 ● 印のある部品は、安全性確保部品を示しています。部品の交換が必要な場合、パーツリストに記載されている部品を使用してください。
 ● 本回路図は標準回路図です。改良のため予告なく変更することがございます。

SCHEMATIC DIAGRAM (DSP 2/2)

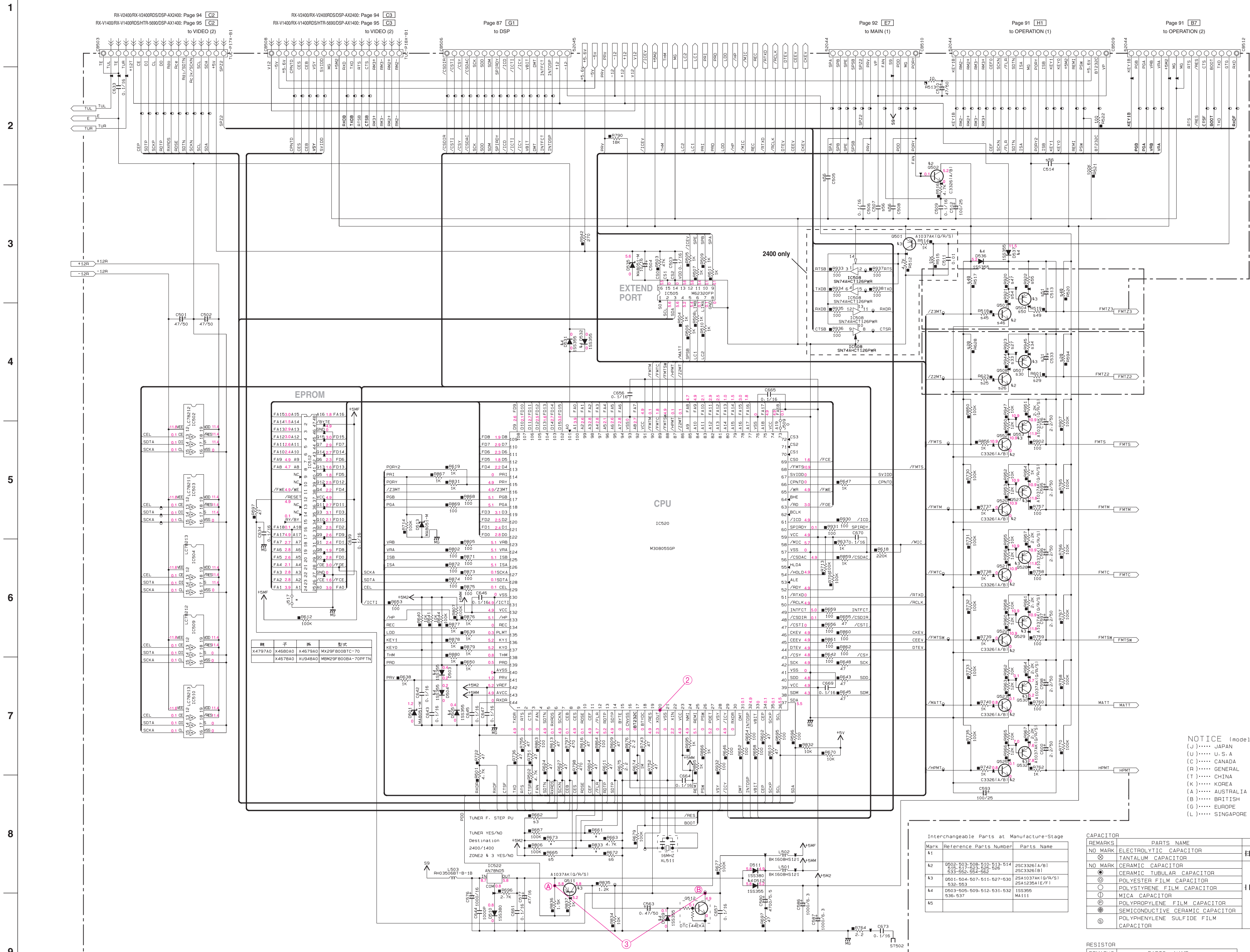


S	Circuit No.	J	U.C.R.T.K.A.B.G.L	Mem	Remarks
1	R638	X	4.7K	AAC	
2	P1501	ALJ-1165-31-0500	MSD-293V-29N1	MS49140	2400

- ★ All voltages are measured with a 10MΩ/V DC electronic volt meter.
- ★ Components having special characteristics are marked with a triangle (▲) and must be replaced with parts having specifications equal to those originally installed.
- ★ Schematic diagram is subject to change without notice.
- 電圧は、内部抵抗10MΩの電圧計で測定したものです。
- ▲印のある部品は、安全性確保部品を示しています。部品の交換が必要な場合、パーツリストに記載されている部品を使用してください。
- 本回路図は標準回路図です。改良のため予告なく変更することがございます。



SCHEMATIC DIAGRAM (FUNCTION 1/2)



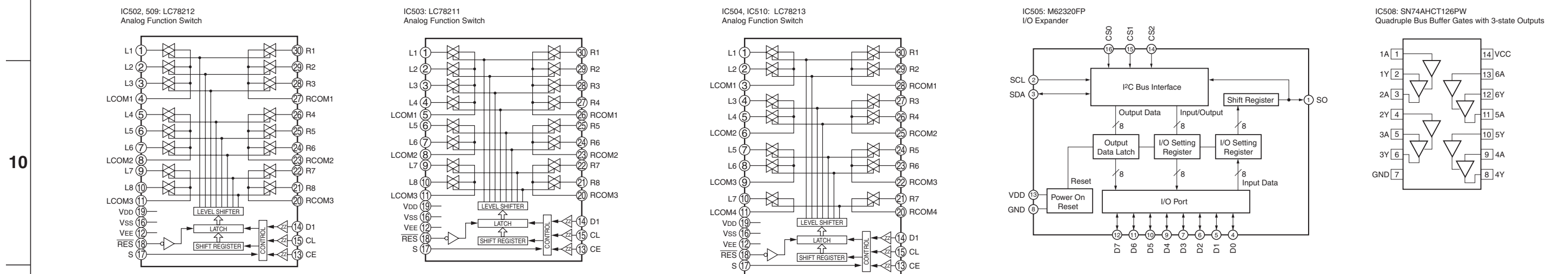
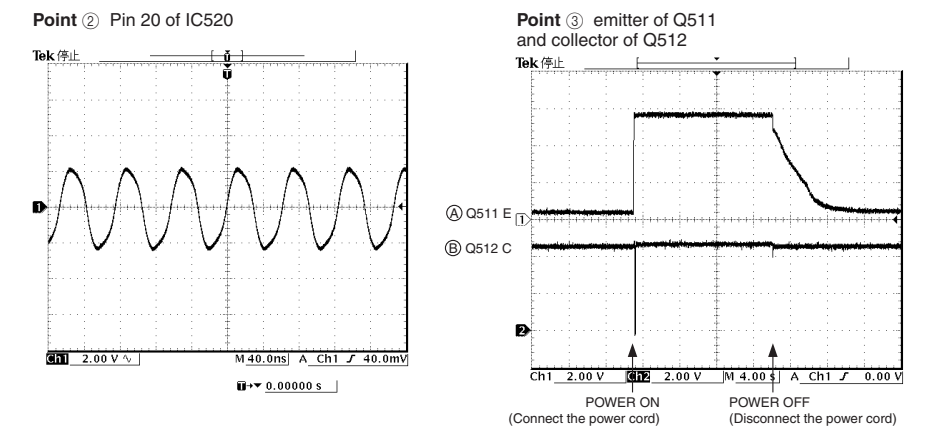
Circuit No.	J	U-C	R-L	T, K, B, G	A	Remarks	Comment
1	CS17-518	X	X	X	X	SEMKO	
2	R546-547	47	RD35447	47	RD35447	TUNER	
3	R662	X	X	X	X	TUNER	
4	R665	X	X	X	X	TUNER	
5	R672	4.7K	RD35414	4.7K	RD35414	TUNER	
6	IC506	B03841FS	B03841FS	B03841FS	B03841FS	IC506	
7	R577-908	10K	RD35710	10K	RD35710	TUNER	
8	R577-908	X	X	X	X	TUNER	
9	C560-565	4750	UR26747	4750	UR26747	CAPACITOR	
10	C562-566	X	X	X	X	CAPACITOR	
11	C561-562	X	X	X	X	CAPACITOR	
12	R587-588	X	X	X	X	TUNER	
13	R578-580	100K	RD35810	100K	RD35810	TUNER	
14	R581-582	100K	RD35810	100K	RD35810	TUNER	
15	R710-711	X	X	X	X	TUNER	
16	IC526	X	X	X	X	IC526	
17	C568-603-604	X	X	X	X	CAPACITOR	
18	C611-612	X	X	X	X	CAPACITOR	
19	R635	X	X	X	X	TUNER	
20	R690-691	X	X	X	X	TUNER	
21	IC527	X	X	X	X	IC527	
22	C620-621	X	X	X	X	CAPACITOR	
23	R693-693	X	X	X	X	TUNER	
24	R726-727	X	X	X	X	TUNER	
25	R623	X	X	X	X	TUNER	
26	Q506-517-518	X	X	X	X	Q506	
27	R783-784-785	X	X	X	X	TUNER	
28	R626-626	X	X	X	X	TUNER	
29	R601	X	X	X	X	TUNER	
30	Q507	X	X	X	X	Q507	
31	C533	X	X	X	X	CAPACITOR	
32	Q508	X	X	X	X	Q508	
33	R344	X	X	X	X	TUNER	
34	R345	X	X	X	X	TUNER	
35	C573-574-582	X	X	X	X	CAPACITOR	
36	IC531	X	X	X	X	IC531	
37	C505-506	X	X	X	X	CAPACITOR	
38	C514-515	X	X	X	X	CAPACITOR	
39	R636	X	X	X	X	TUNER	
40	R682-683	X	X	X	X	TUNER	
41	IC530	X	X	X	X	IC530	
42	C622-623	X	X	X	X	CAPACITOR	
43	R694-698	X	X	X	X	TUNER	
44	R727-728	X	X	X	X	TUNER	
45	R516	X	X	X	X	TUNER	
46	Q503-519-526	X	X	X	X	Q503	
47	R787-788-789	X	X	X	X	TUNER	
48	R517-520	X	X	X	X	TUNER	
49	R519	X	X	X	X	TUNER	
50	Q504	X	X	X	X	Q504	
51	C513	X	X	X	X	CAPACITOR	
52	R668	X	X	X	X	TUNER	
53	C516	X	X	X	X	CAPACITOR	
54	R921	X	X	X	X	TUNER	
55	R922	X	X	X	X	TUNER	
56	C505-507-508	X	X	X	X	CAPACITOR	
57	R712-715	X	X	X	X	TUNER	
58	R514-516	X	X	X	X	TUNER	
59							
60	J501-502	X	X	X	X	JACK	
61	J503-504	X	X	X	X	JACK	
62	J505-506	X	X	X	X	JACK	
63	Q501	O	O	O	O	Q501	
64	R515	O	O	O	O	R515	
65	R501-502-512	O	O	O	O	R501	
66	R514	O	O	O	O	R514	
67	CS11	O	O	O	O	CS11	
68	IC508	O	O	O	O	IC508	
69	R833-838	O	O	O	O	R833	
70							
71	J501-502	WSP-244V1-03GL	WSP-244V1-01N1	WSP-244V1-01N1	WSP-244V1-01N1	JACK	
72	J503	WSP-244V1-03GL	WSP-244V1-01N1	WSP-244V1-01N1	WSP-244V1-01N1	JACK	
73	J504	WSP-244V1-03GL	WSP-244V1-01N1	WSP-244V1-01N1	WSP-244V1-01N1	JACK	

NOTICE (model)
 (J)..... JAPAN
 (U)..... U.S.A
 (C)..... CANADA
 (R)..... GENERAL
 (T)..... CHINA
 (K)..... KOREA
 (A)..... AUSTRALIA
 (B)..... BRITISH
 (G)..... EUROPE
 (L)..... SINGAPORE

Mark	Reference Parts Number	Parts Name
k1	9502-953-508-510-513-514	2SC3338(A/B)
	533-550-554-562	2SC3381(B)
k3	9501-954-507-511-527-530	A1037AK1(G/R/S)
	530-563	2SA1295A(E/F)
k4	9503-955-509-512-531-532	2SS355
	535-537	M411

REMARKS	PARTS NAME
NO MARK	ELECTROLYTIC CAPACITOR
NO MARK	TANTALUM CAPACITOR
NO MARK	CERAMIC TUBULAR CAPACITOR
NO MARK	POLYESTER FILM CAPACITOR
NO MARK	POLYPROPYLENE FILM CAPACITOR
NO MARK	MICA CAPACITOR
NO MARK	POLYPROPYLENE FILM CAPACITOR
NO MARK	SEMICONDUCTIVE CERAMIC CAPACITOR
NO MARK	POLYPHENYLENE SULFIDE FILM CAPACITOR

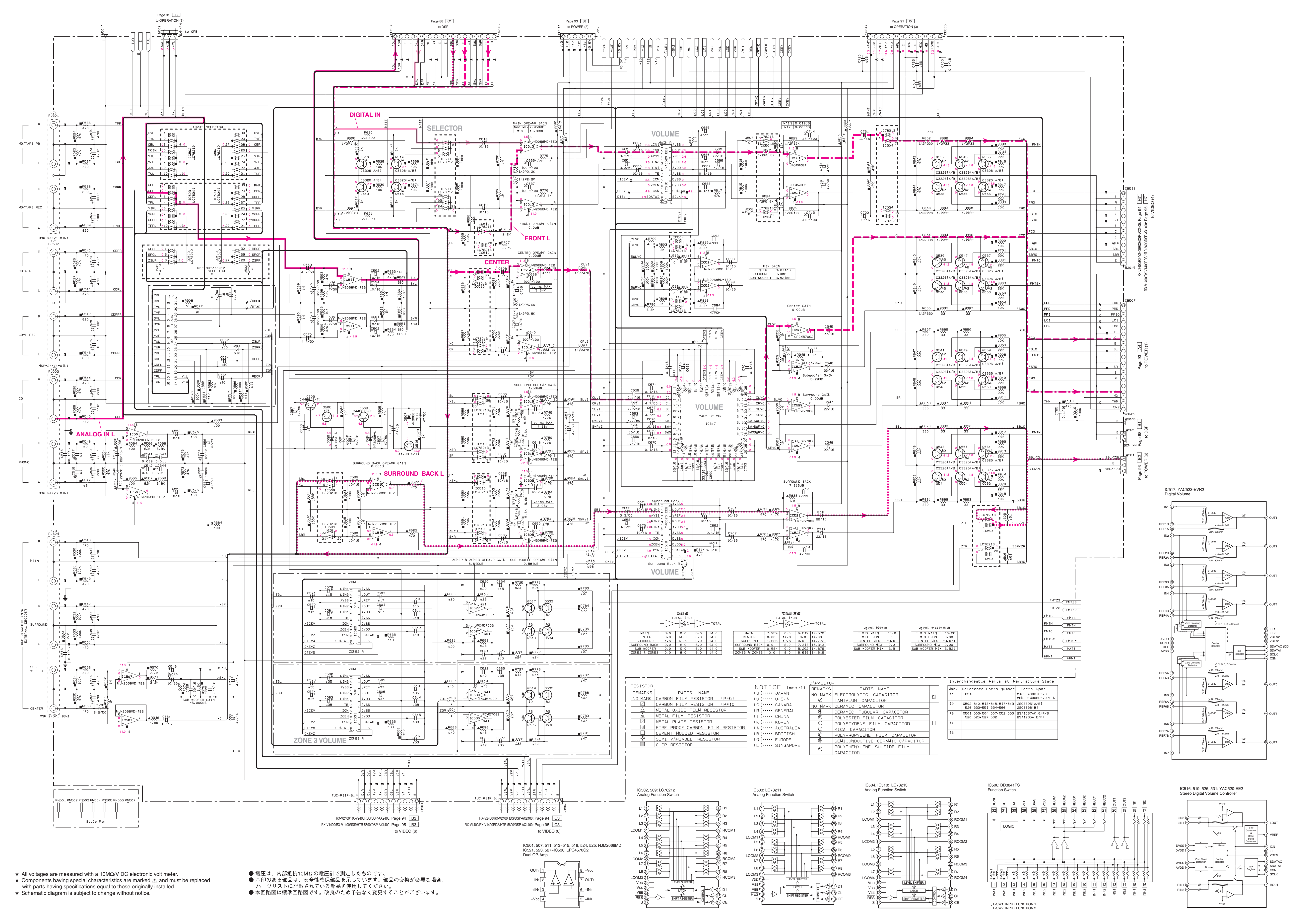
REMARKS	PARTS NAME
NO MARK	CARBON FILM RESISTOR (P=5)
NO MARK	CARBON FILM RESISTOR (P=10)
NO MARK	METAL OXIDE FILM RESISTOR
NO MARK	METAL FILM RESISTOR
NO MARK	METAL PLATE RESISTOR
NO MARK	FINE-PROOF CARBON FILM RESISTOR
NO MARK	CEMENT MOLDED RESISTOR
NO MARK	SEMI-VARIABLE RESISTOR
NO MARK	CHIP RESISTOR



* All voltages are measured with a 10MΩV DC electronic volt meter.
 * Components having special characteristics are marked !, and must be replaced with parts having specifications equal to those originally installed.
 * Schematic diagram is subject to change without notice.

● 電圧は、内部抵抗10MΩの電圧計で測定したものです。
 ● !印のある部品は、安全確保部品を示しています。部品の交換が必要な場合、パーツリストに記載されている部品を使用してください。
 ● 本回路図は標準回路図です。改良のため予告なく変更することがございます。

SCHEMATIC DIAGRAM (FUNCTION 2/2)



設計値 TOTAL 14dB

MAIN	8.0	0.0	6.0	14.0
CENTER	8.0	0.0	6.0	14.0
SURROUND	1.5	12.5	0.0	14.0
SURROUND BACK	0.0	0.0	14.0	14.0
SUB WOOFER	0.0	0.0	0.0	14.0
ZONE 2 & ZONE 3	0.0	0.0	0.0	14.0

定数計算値 TOTAL 14dB

MAIN	7.959	0.0	6.619	14.578
CENTER	8.000	0.0	6.000	14.000
SURROUND	1.688	12.5	0.0	14.722
SURROUND BACK	0.000	0.0	14.000	14.000
SUB WOOFER	0.004	0.0	0.0	14.808
ZONE 2 & ZONE 3	0.0	0.0	0.0	14.619

RESISTOR

REMARKS	PARTS NAME
NO MARK	CARBON FILM RESISTOR (P=5)
□	CARBON FILM RESISTOR (P=10)
△	METAL OXIDE FILM RESISTOR
◇	METAL FILM RESISTOR
○	METAL PLATE RESISTOR
■	FIRE PROOF CARBON FILM RESISTOR
◎	CEMENT MOLDED RESISTOR
⊙	SEMI-VARIABLE RESISTOR
■	CHIP RESISTOR

NOTICE (model)

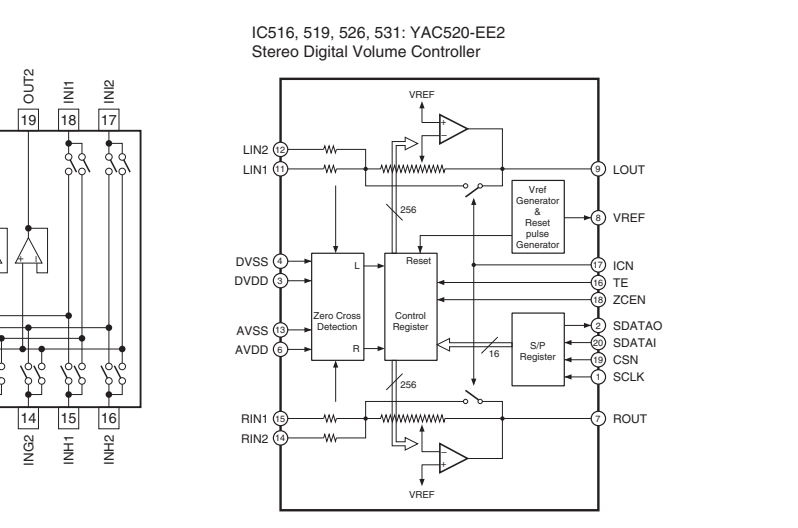
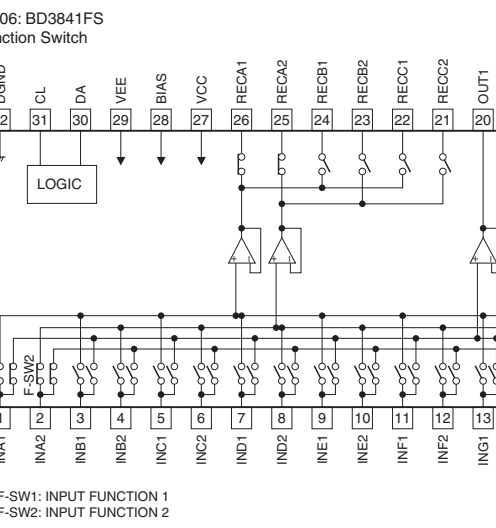
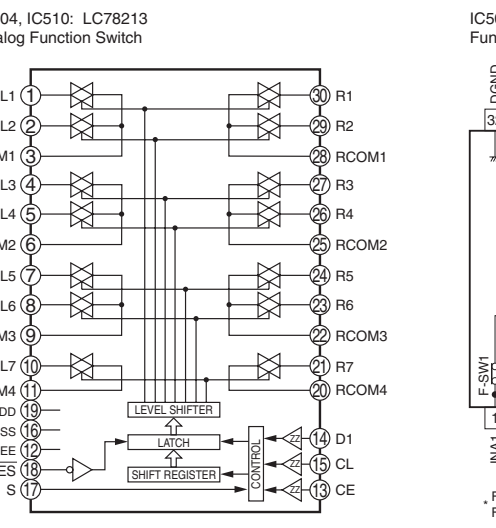
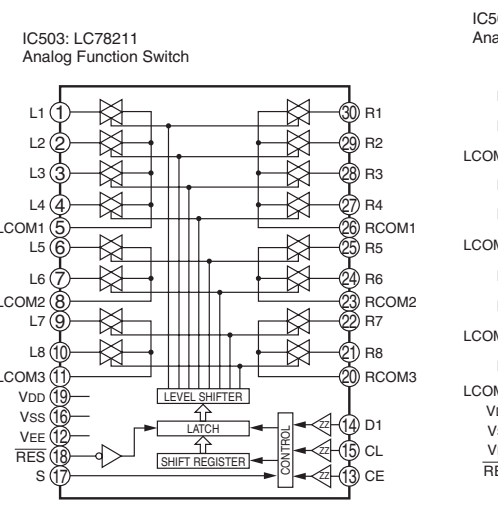
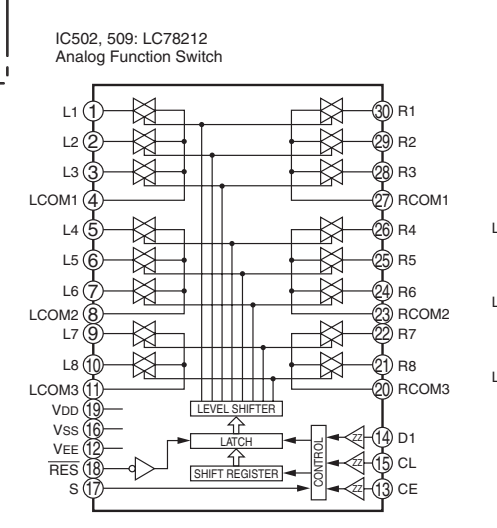
(J) JAPAN
 (U) U.S.A.
 (C) CANADA
 (R) GENERAL
 (Y) CHINA
 (K) KOREA
 (A) AUSTRALIA
 (B) BRITISH
 (G) EUROPE
 (L) SINGAPORE

CAPACITOR

REMARKS	PARTS NAME
NO MARK	ELECTROLYTIC CAPACITOR
□	TANTALUM CAPACITOR
○	POLYESTER FILM CAPACITOR
◎	CERAMIC TUBULAR CAPACITOR
◇	CERAMIC DISC CAPACITOR
■	POLYSTYRENE FILM CAPACITOR
○	MICA CAPACITOR
◎	POLYPROPYLENE FILM CAPACITOR
◎	SEMICONDUCTIVE CERAMIC CAPACITOR
◎	POLYPHENYLENE SULFIDE FILM CAPACITOR

Interchangeable Parts at Manufacture Stage

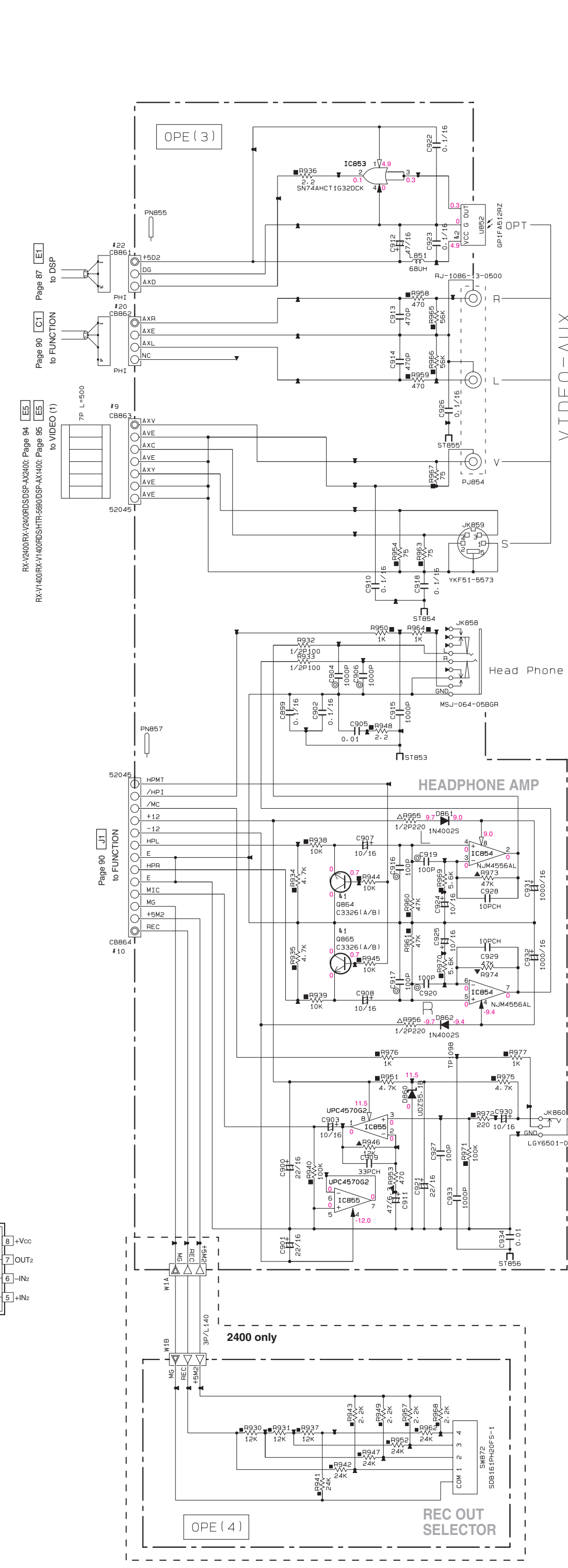
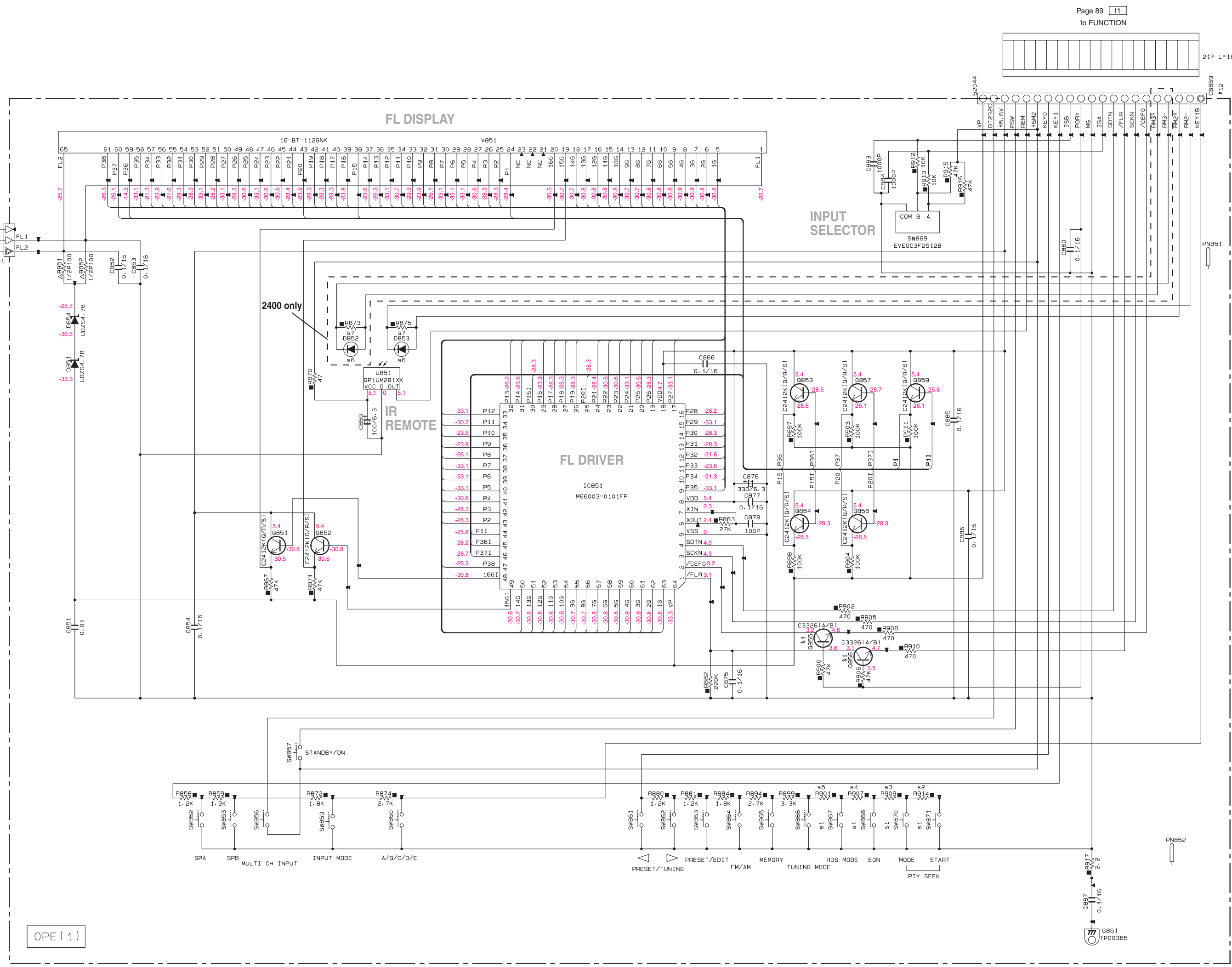
Mark	Reference Parts Number	Parts Name
41	IC512	M29F4008C-70
42	0902-610-913-918-517-519	M29F32061A/B1
43	526-533-551-554-566-	25C3261B1
44	0901-603-504-507-550-553	25A1037AK (D/R/S)
45	520-925-537-538	25A1250A1E/P1



* All voltages are measured with a 10MΩ/V DC electronic volt meter.
* Components having special characteristics are marked with a star and must be replaced with parts having specifications equal to those originally installed.
* Schematic diagram is subject to change without notice.

● 電圧は、内部抵抗10MΩの電圧計で測定したものです。
● 1印のある部品は、安全性確保部品を示しています。部品の交換が必要な場合、パーツリストに記載されている部品を使用してください。
● 本回路図は標準回路図です。改良のため予告なく変更することがございます。

SCHEMATIC DIAGRAM (OPERATION)



NOTICE (model)
 (J)..... JAPAN
 (U)..... U.S.A
 (C)..... CANADA
 (R)..... GENERAL
 (T)..... CHINA
 (K)..... KOREA
 (A)..... AUSTRALIA
 (B)..... BRITISH
 (G)..... EUROPE
 (L)..... SINGAPORE

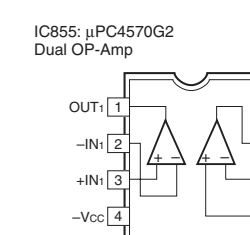
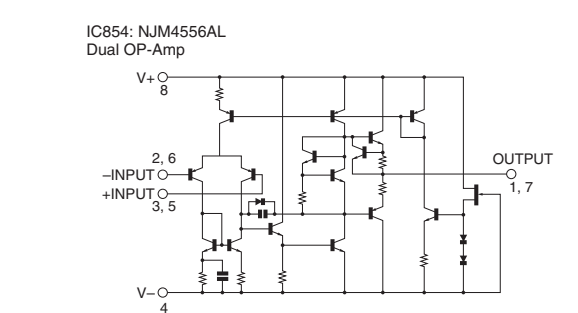
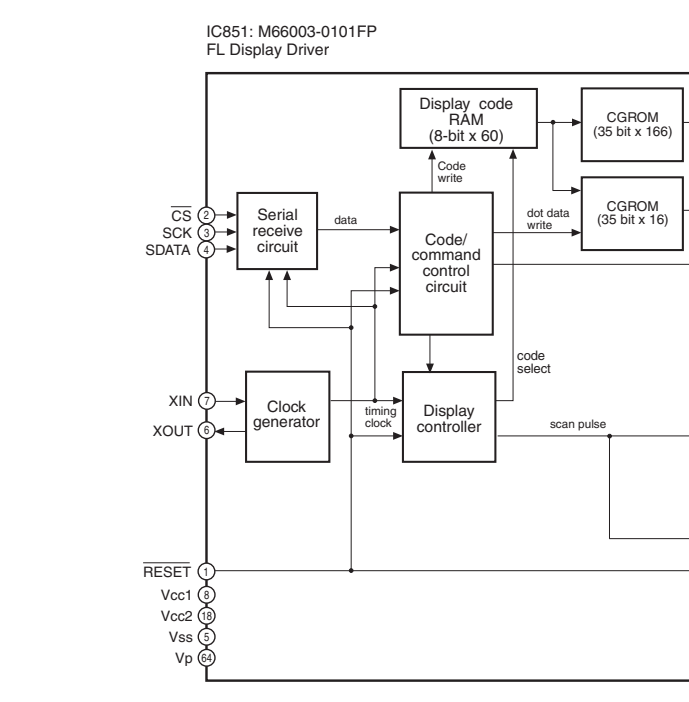
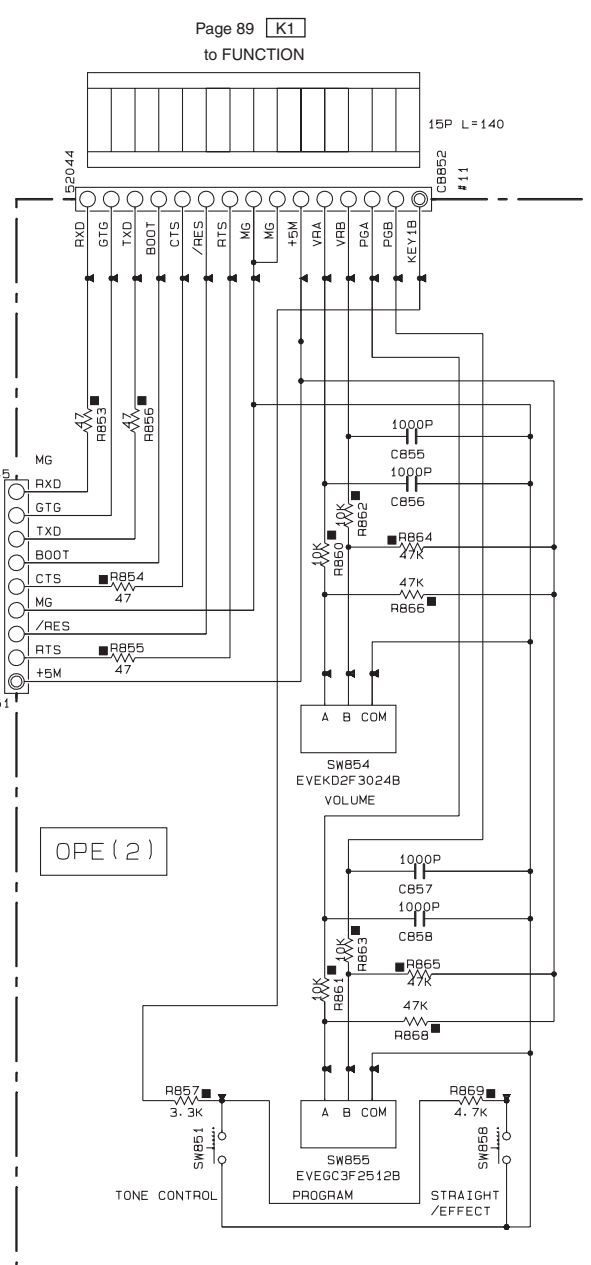
REMARKS	PARTS NAME
NO MARK	CARBON FILM RESISTOR (P=5)
□	CARBON FILM RESISTOR (P=10)
△	METAL OXIDE FILM RESISTOR
▲	METAL FILM RESISTOR
▢	METAL PLATE RESISTOR
■	FIRE PROOF CARBON FILM RESISTOR
□	CEMENT MOLDED RESISTOR
▣	SEMI VARIABLE RESISTOR
⊠	CHIP RESISTOR

REMARKS	PARTS NAME
NO MARK	ELECTROLYTIC CAPACITOR
⊗	TANTALUM CAPACITOR
NO MARK	CERAMIC CAPACITOR
⊙	CERAMIC TUBULAR CAPACITOR
○	POLYESTER FILM CAPACITOR
○	POLYSTYRENE FILM CAPACITOR
○	MICA CAPACITOR
○	POLYPROPYLENE FILM CAPACITOR
○	SEMICONDUCTIVE CERAMIC CAPACITOR
○	POLYPHENYLENE SULFIDE FILM CAPACITOR

Mark	Reference Parts Number	Parts Name
41	0B55-854-805	P5C33261A/B1
42	0B52	SP1F4018R2 SP1F4018R2
43		
44		
45		

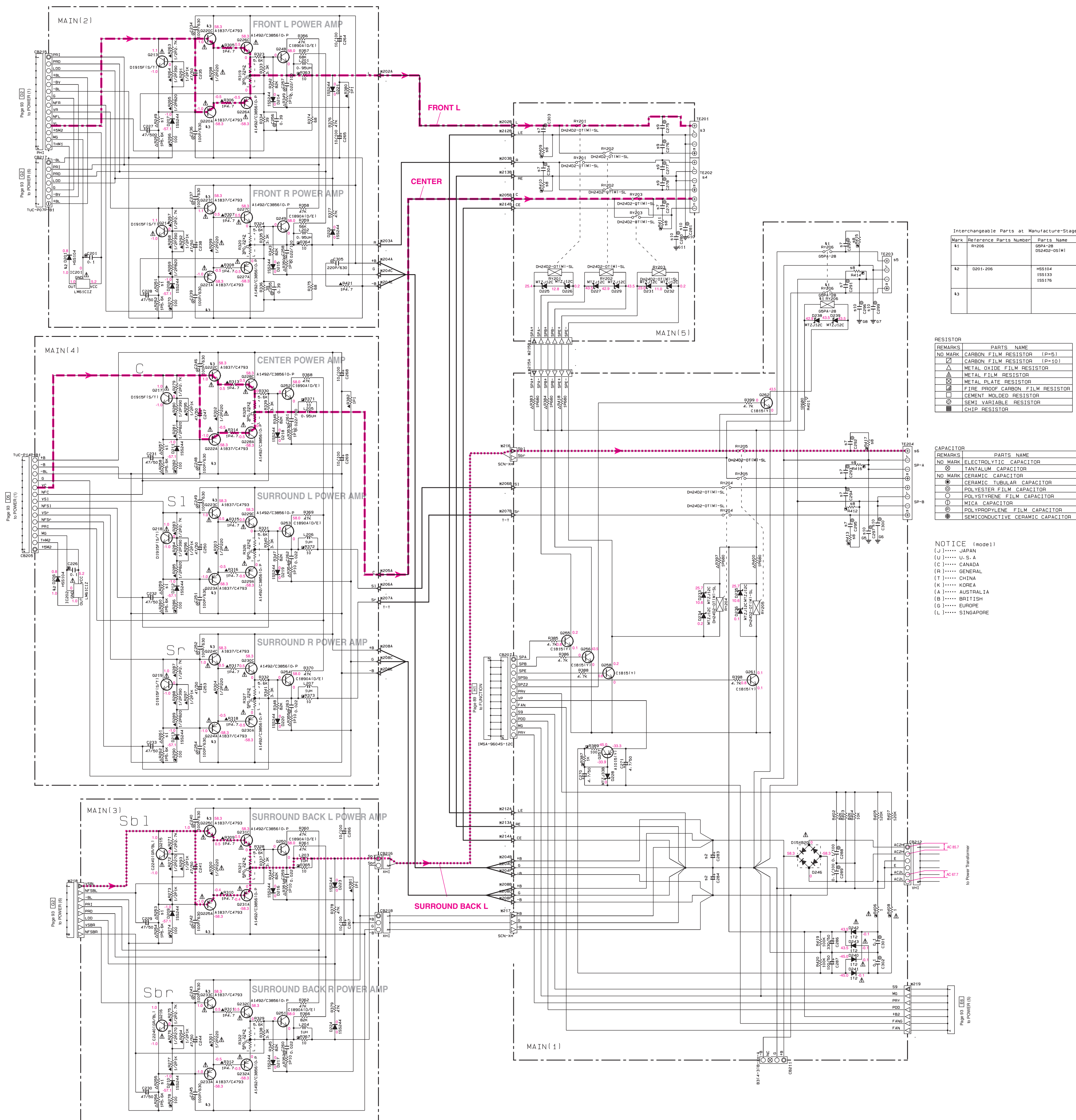
	DSP-AX2400	RX-V2400	RX-V1400	RX-V1400RDS
1	SW867-868	X	X	V475710
2	RB14	X	X	47K RD35747
3	R909	X	X	18K RD35718
4	R907	X	X	8.2K RD35682
5	R901	X	X	4.7K RD35647
6	0B52-853	X	S1R-8085T V259820	X
7	RB73-875	X	10K RD35710	X

	DSP-AX1400	RX-V1400	RX-V1400RDS
1	SW867-868	X	X
2	RB14	X	X
3	R909	X	X
4	R907	X	X
5	R901	X	X
6	0B53	X	S1R-8085T V259820
7	RB75	X	10K RD35710



* All voltages are measured with a 10MQV DC electronic volt meter.
 * 電圧は、内部抵抗10MQの電圧計で測定したものです。
 * Components having special characteristics are marked !, and must be replaced with parts having specifications equal to those originally installed.
 * 上記のある部品は、安全性確保部品を示しています。部品の交換が必要な場合、パーツリストに記載されている部品を使用してください。
 * Schematic diagram is subject to change without notice.
 * 本回路図は標準回路図です。改良のため予告なく変更することがございます。

SCHEMATIC DIAGRAM (MAIN)



Interchangeable Parts at Manufacture-Stage

Mark	Reference Parts Number	Parts Name
41	RV006	0594-78 052402-051M
42	0201-206	H55104 155153 155176
43		

RESISTOR

REMARKS	PARTS NAME
NO MARK	CARBON FILM RESISTOR (P=5)
□	CARBON FILM RESISTOR (P=10)
△	METAL OXIDE FILM RESISTOR
▲	METAL FILM RESISTOR
⊠	METAL PLATE RESISTOR
■	FIRE PROOF CARBON FILM RESISTOR
⊙	CEMENT MOLDED RESISTOR
⊚	SEMI VARIABLE RESISTOR
■	CHIP RESISTOR

CAPACITOR

REMARKS	PARTS NAME
NO MARK	ELECTROLYTIC CAPACITOR
⊗	TANTALUM CAPACITOR
NO MARK	CERAMIC CAPACITOR
⊙	CERAMIC TUBULAR CAPACITOR
⊚	POLYESTER FILM CAPACITOR
○	POLYSTYRENE FILM CAPACITOR
⊖	MICA CAPACITOR
⊕	POLYPROPYLENE FILM CAPACITOR
●	SEMICONDUCTIVE CERAMIC CAPACITOR

NOTICE (model)

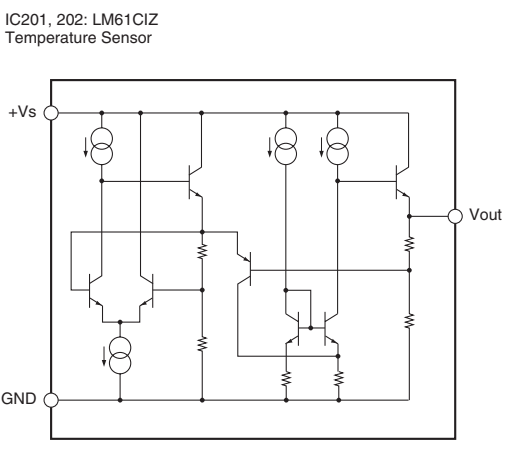
(J)..... JAPAN
 (U)..... U.S.A
 (C)..... CANADA
 (R)..... GENERAL
 (T)..... CHINA
 (K)..... KOREA
 (A)..... AUSTRALIA
 (B)..... BRITISH
 (G)..... EUROPE
 (L)..... SINGAPORE

2400

	J	U.C.R.T.A	K.B.G.L
41	Y241150	Y241170	Y241170
42	Y241150	Y241150	Y241150
43	Y241150	Y241150	Y241150
44	Y241150	Y241150	Y241150
45	Y241150	Y241150	Y241150
46	Y241150	Y241150	Y241150
47	Y241150	Y241150	Y241150
48	Y241150	Y241150	Y241150
49	Y241150	Y241150	Y241150
50	Y241150	Y241150	Y241150

1400

	J	U.C.R.T.A	K.B.G.L
41	Y241150	Y241170	Y241170
42	Y241150	Y241150	Y241150
43	Y241150	Y241150	Y241150
44	Y241150	Y241150	Y241150
45	Y241150	Y241150	Y241150
46	Y241150	Y241150	Y241150
47	Y241150	Y241150	Y241150
48	Y241150	Y241150	Y241150
49	Y241150	Y241150	Y241150
50	Y241150	Y241150	Y241150



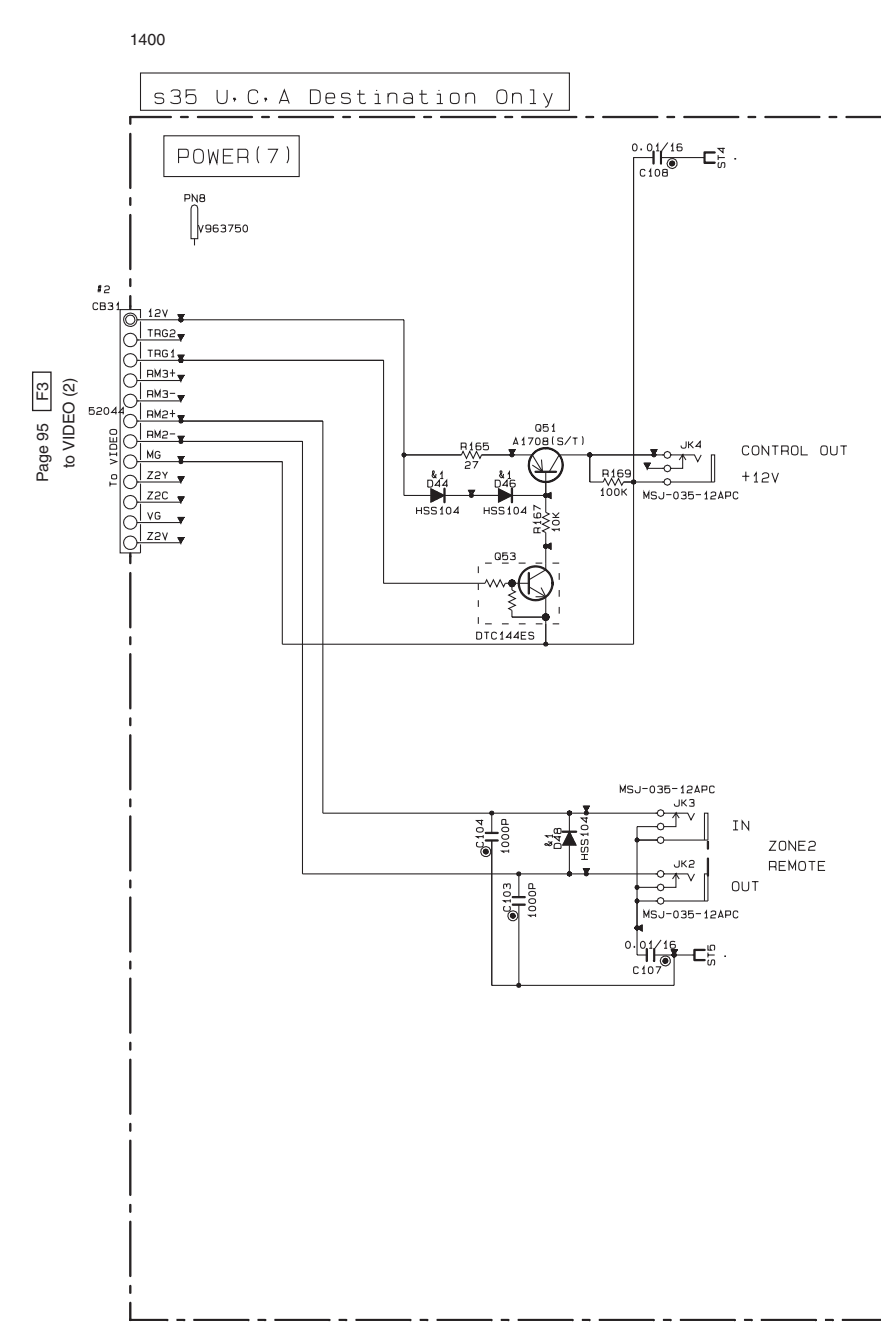
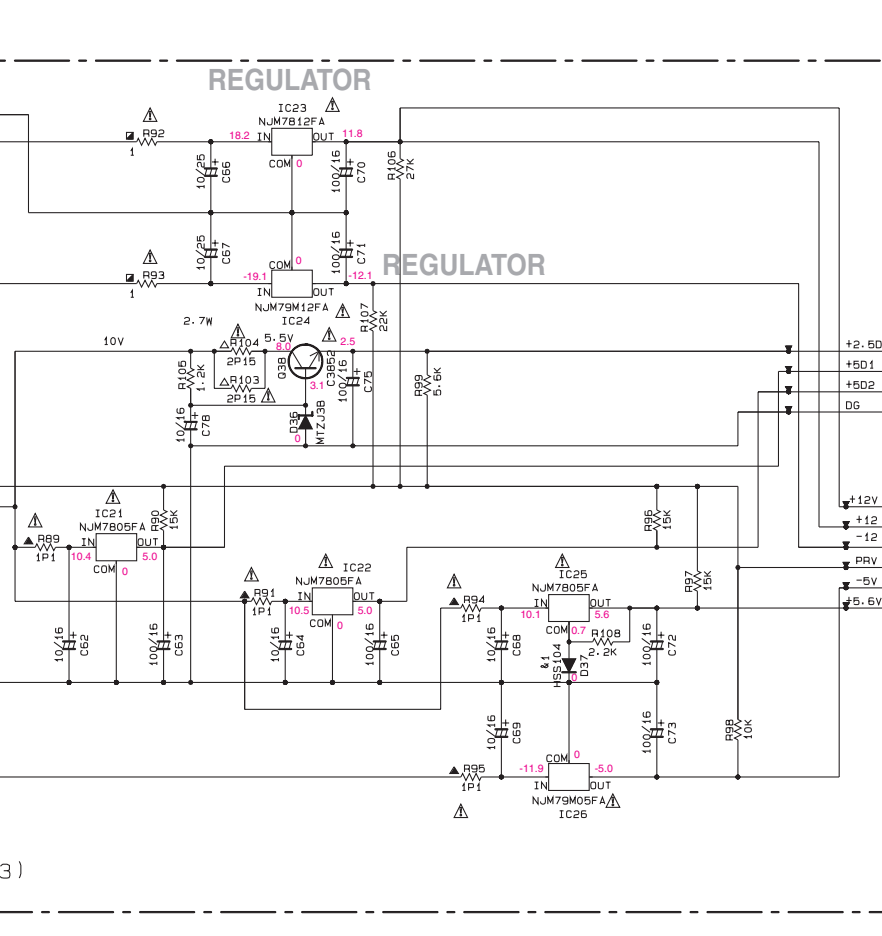
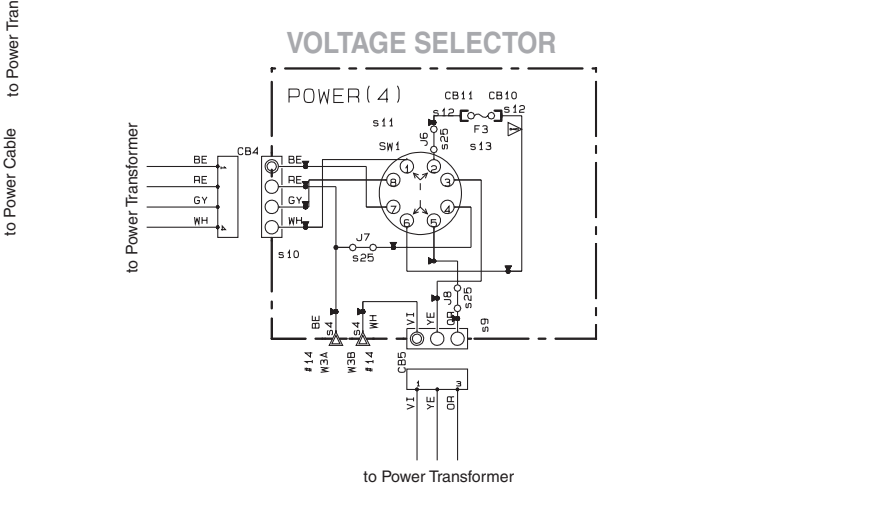
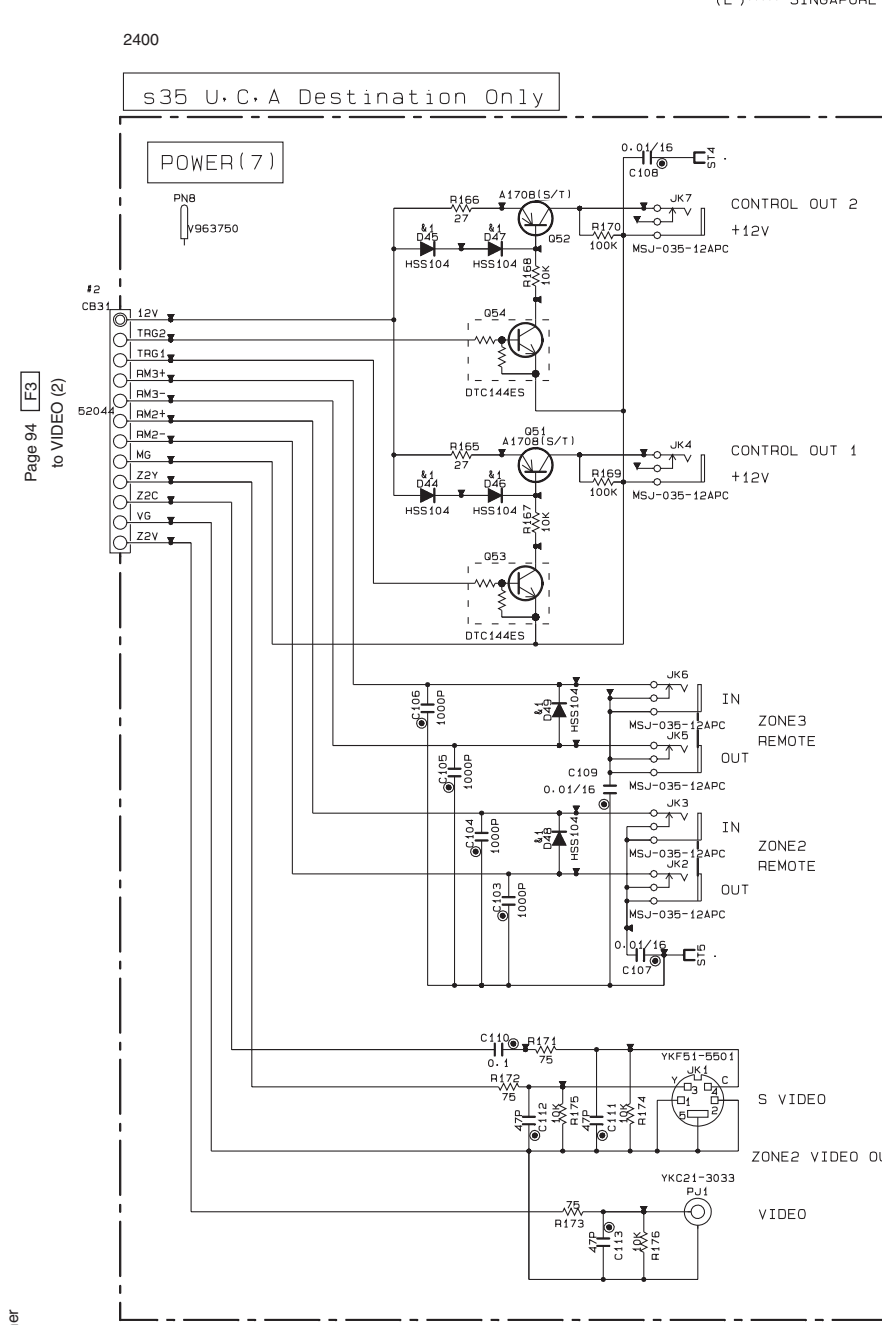
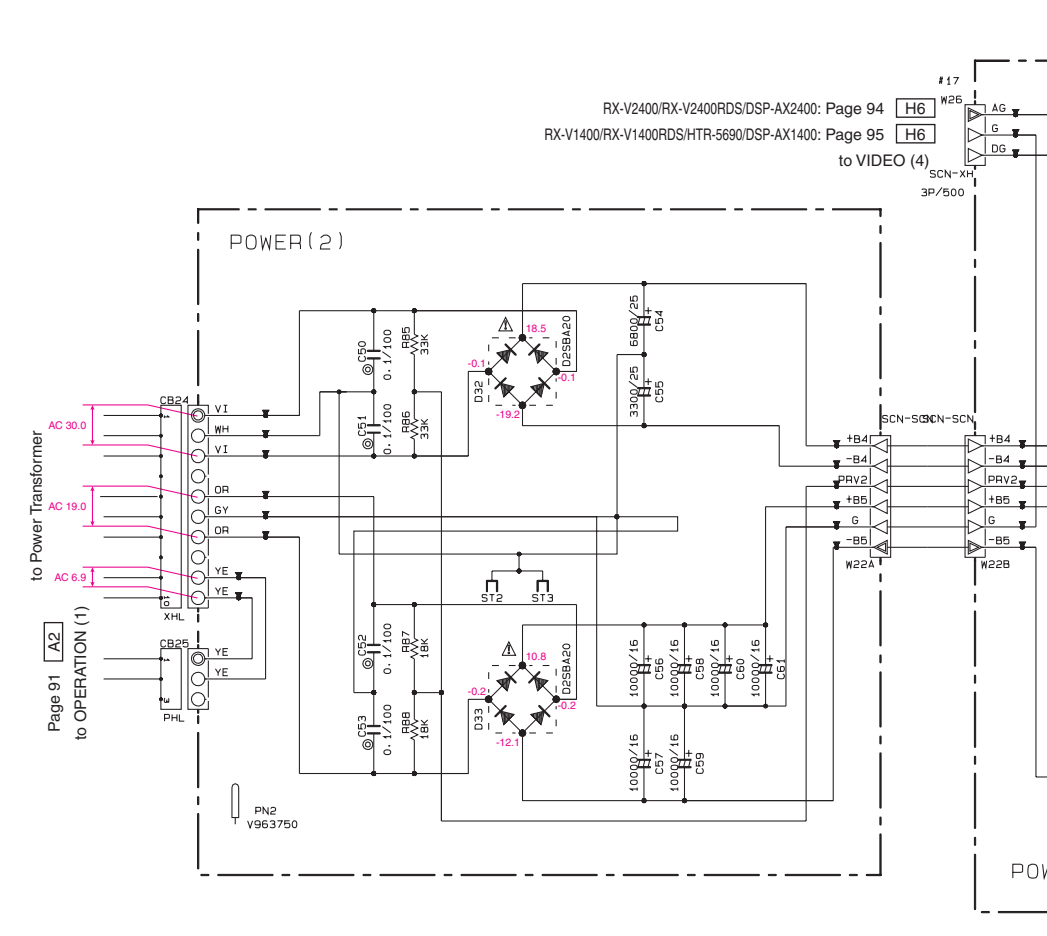
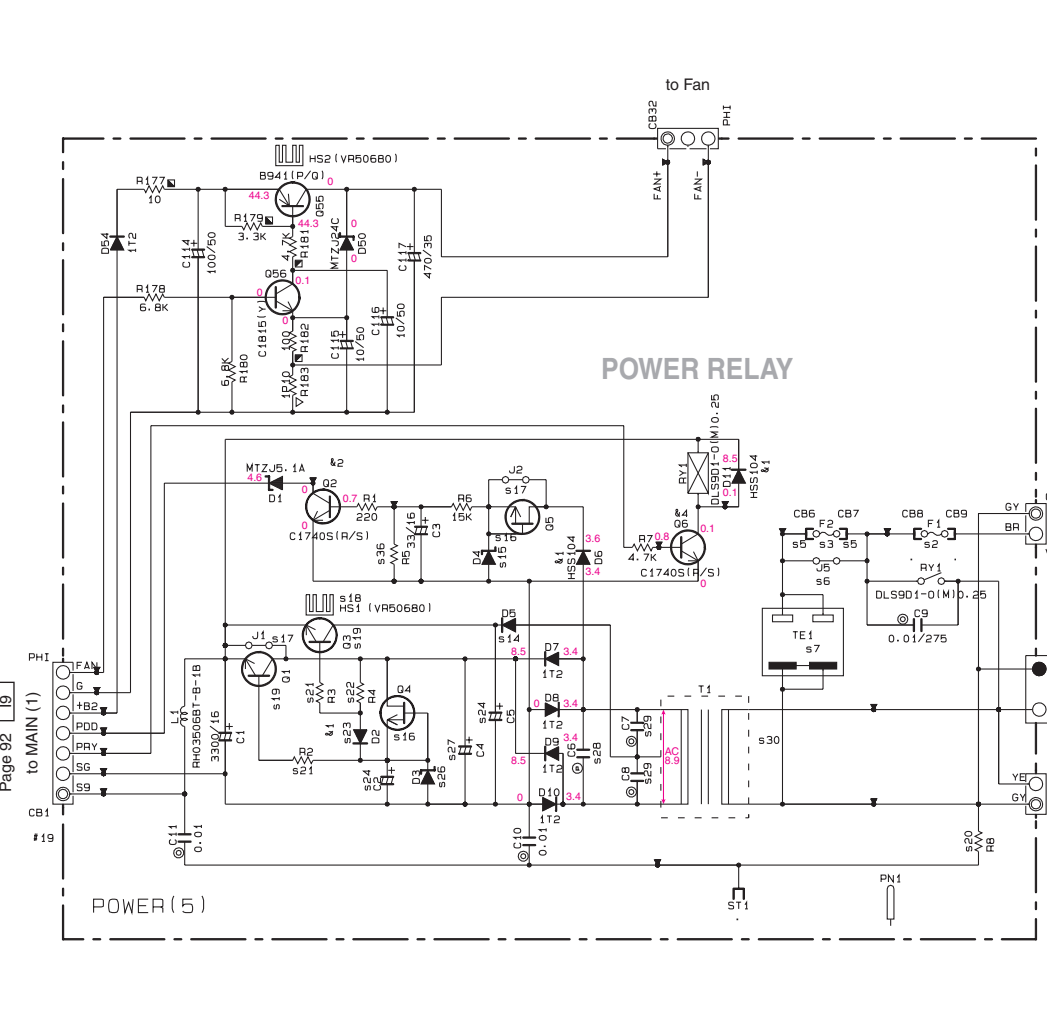
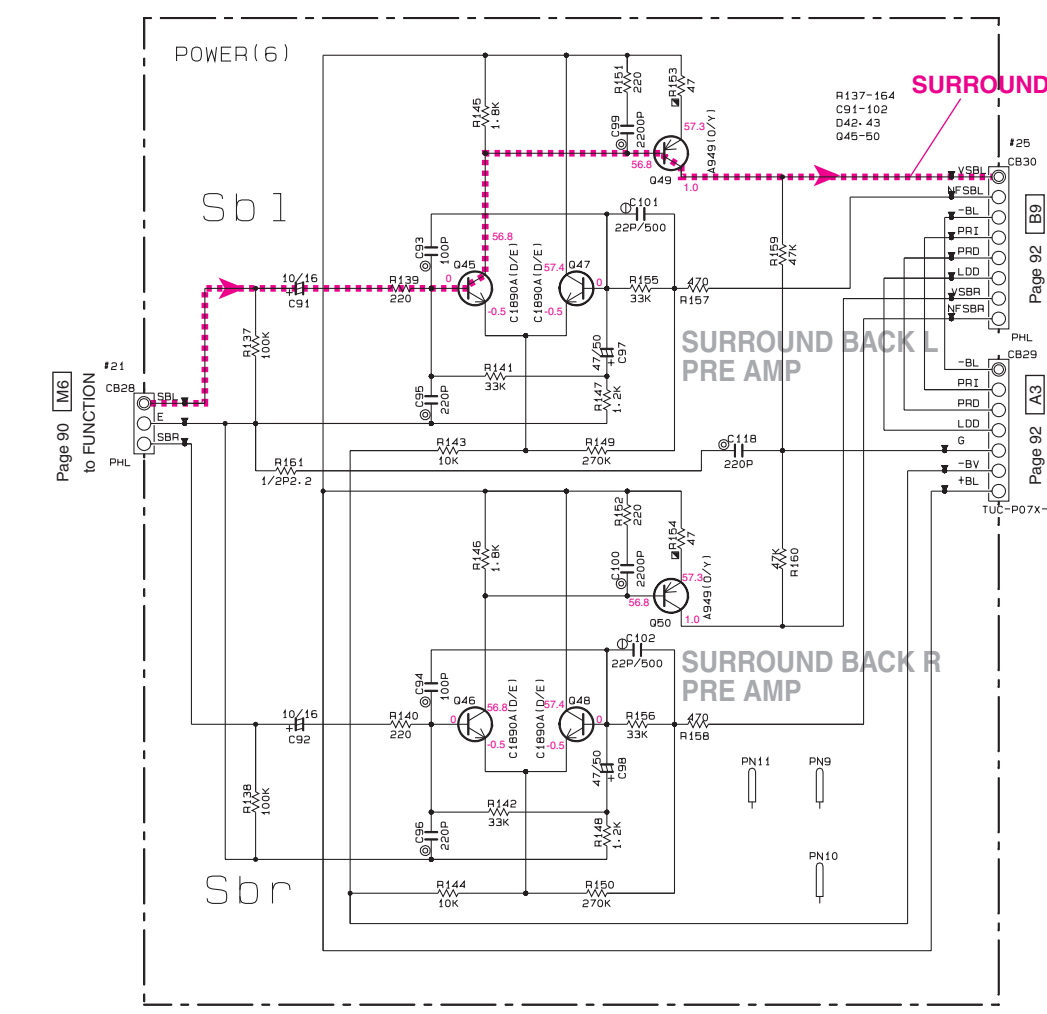
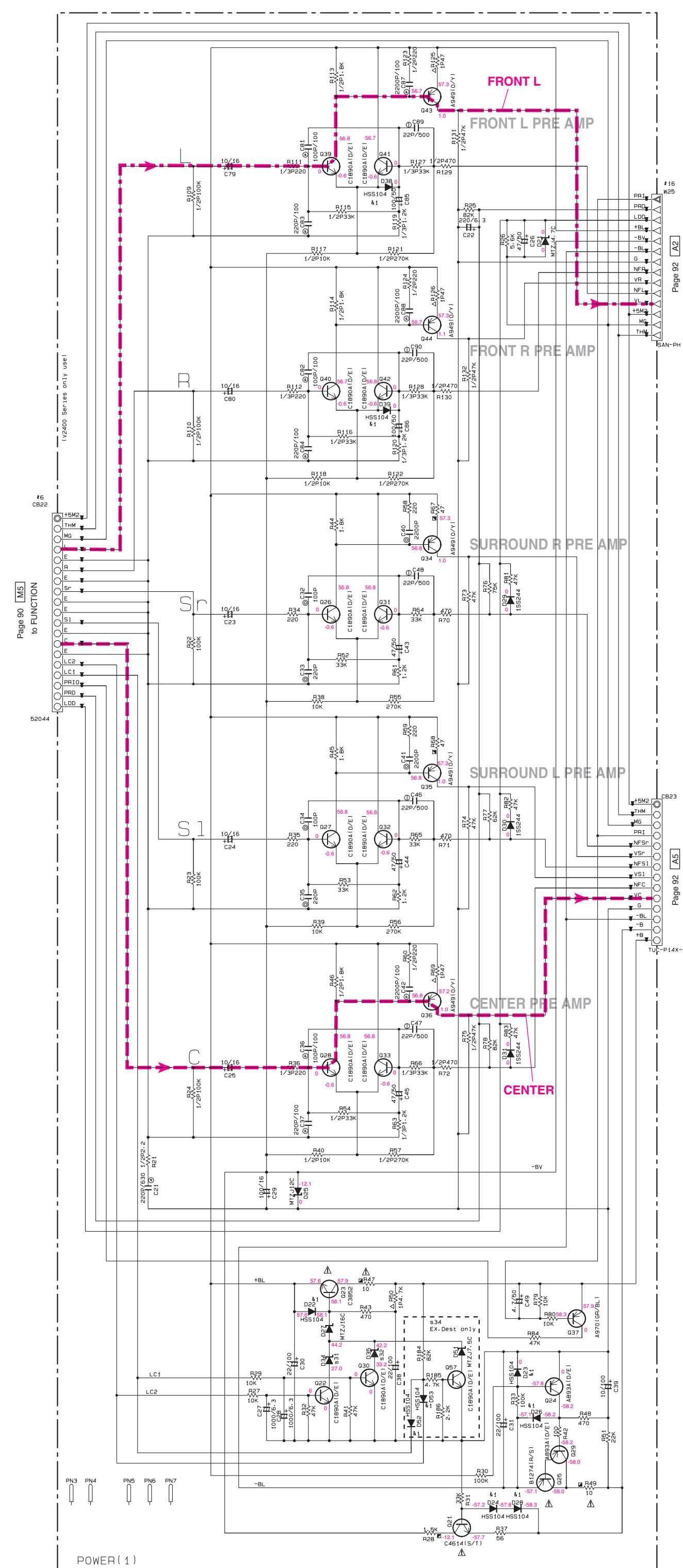
* All voltages are measured with a 10MΩ/V DC electronic volt meter.
 * Components having special characteristics are marked "!" and must be replaced with parts having specifications equal to those originally installed.
 * Schematic diagram is subject to change without notice.

● 電圧は、内部抵抗10MΩの電圧計で測定したものです。
 ● !印のある部品は、安全性確保部品を示しています。部品の交換が必要な場合、パーツリストに記載されている部品を使用してください。
 ● 本回路図は標準回路図です。改良のため予告なく変更することがございます。

SCHEMATIC DIAGRAM (POWER)

RX-V2400/RX-V2400RDS/DSP-AX2400/RX-V1400/RX-V1400RDS/HTR-5690/DSP-AX1400

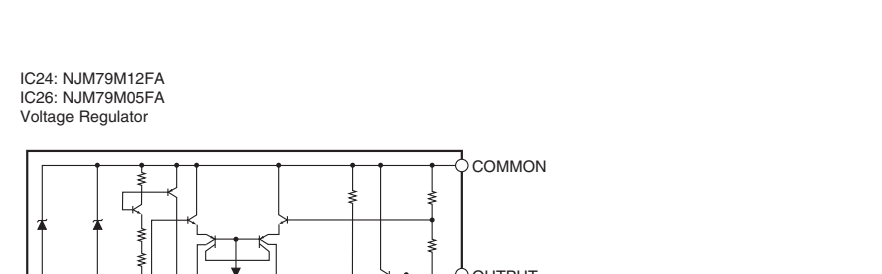
NOTICE (mode1)
 (J) JAPAN
 (U) U.S.A
 (C) CANADA
 (R) GENERAL
 (T) CHINA
 (K) KOREA
 (A) ASYRIA
 (B) BRITISH
 (G) EUROPE
 (L) SINGAPORE



RESISTOR	PARTS NAME	CAPACITOR	PARTS NAME
NO MARK	CARBON FILM RESISTOR (P=5)	NO MARK	ELECTROLYTIC CAPACITOR
△	CARBON FILM RESISTOR (P=10)	NO MARK	TANTALUM CAPACITOR
□	METAL OXIDE FILM RESISTOR	NO MARK	CERAMIC CAPACITOR
◇	METAL FILM RESISTOR	NO MARK	CERAMIC TUBULAR CAPACITOR
○	METAL PLATE RESISTOR	○	POLYESTER FILM CAPACITOR
□	FINE-PROOF CARBON FILM RESISTOR	○	POLYETHYLENE FILM CAPACITOR
□	CEMENT MOLDED RESISTOR	○	MICA CAPACITOR
○	SEMI-VARIABLE RESISTOR	○	POLYPROPYLENE FILM CAPACITOR
■	CHIP RESISTOR	○	SEMICONDUCTIVE CERAMIC CAPACITOR

Interchangeable Parts at Manufacture-Stage

Max. Reference Parts Number	Parts Name
41 00-6-11-00-24-26-28	H5014
037-39-44-49-90-93	155130
	155176
42 00-6	25C174051R/51
	25C20031R/51
	25C33141G/4/51



	J	U.C	R	L	T-K	A	B	G	Remarks
S1 TE2	R-30190 M80390	R-30190 M87890	x	x	x	x	x	R-30190 M87890	2400
S2 P1	R-30190 M80390	R-30190 M87890	x	x	x	x	x	R-30190 M87890	1400
S3 P2	10A120V V80200	10A120V V80200	10A120V V80200	10A120V V80200	TS-0AL200V A80304	TS-0AL200V A80304	TS-0AL200V A80304	TS-0AL200V V84200	
S4	x	x	10A120V V80200	x	x	x	x	TS-0AL200V V84200	
S5	x	x	VP20650	x	x	x	x	x	VP20650
S6 JS	x	x	x	x	x	x	x	x	
S7 TE1	S2-7647-214 V84310	S2-7647-214 V84310	AC-160-08-11V V86740	S2-7647-214 V84310	AC-160-08-11V V86740	S2-7737-210 V84390	S2-7737-210 V84390	S2-7737-210 V84390	
S8 CR0	x	x	S-3953-VH V87590	x	x	x	x	x	
S9 CR6	x	x	S-3953-VH V87590	x	x	x	x	x	
S10 S84	x	x	S-3953-VH V87590	x	x	x	x	x	
S11 SK1	x	x	MB40246 V84310	MB40246 V84310	x	x	x	x	
S12 CR10-11	x	x	VP20650	VP20650	x	x	x	x	
S13 F3	x	x	TS-0AL200V A80304	TS-0AL200V A80304	x	x	x	x	
S14 DS	x	x	V82780	V82780	x	x	x	x	
S15 S8	x	x	W726-AC V84310	W726-AC V84310	x	x	x	x	
S16 S4-5	x	x	1E10282	1E10282	x	x	x	x	
S17 J1-2	x	x	1E10282	1E10282	x	x	x	x	
S18 H41	x	x	V80680	V80680	x	x	x	x	
S19 D1-3	x	x	V3952	V3952	x	x	x	x	
S20 H8	x	x	V33950	V33950	x	x	x	x	
S21 R2-3	x	x	100	100	x	x	x	x	
S22 R4	x	x	100	100	x	x	x	x	
S23 D2	x	x	H5104	H5104	x	x	x	x	
S24 CR-5	x	x	100	100	x	x	x	x	
S25 JS-7-8	x	x	x	x	x	x	x	x	
S26 D3	x	x	W12108	W12108	x	x	x	x	
S27 CR	x	x	V82780	V82780	x	x	x	x	
S28 CR	0.01000 V88450	0.01000 V88450	0.01000 V88450	0.01000 V88450	0.01000 V88450	0.01000 V88450	0.01000 V88450	0.01000 V88450	
S29 CR	x	x	100	100	x	x	x	x	
S30 T1	x	x	V88410	V88410	x	x	x	x	
S31 D34	W12108	W12108	W12108	W12108	W12108	W12108	W12108	W12108	2400
S32 D36	W12108	W12108	W12108	W12108	W12108	W12108	W12108	W12108	1400
S33									
S34 CR1-03-03									
S35 CR1-04									
S36 CR1-05									
S37 CR1-06									
S38 CR1-07									
S39 CR1-08									
S40 CR1-09									
S41 CR1-10									
S42 CR1-11									
S43 CR1-12									
S44 CR1-13									
S45 CR1-14									
S46 CR1-15									
S47 CR1-16									
S48 CR1-17									
S49 CR1-18									
S50 CR1-19									
S51 CR1-20									
S52 CR1-21									
S53 CR1-22									
S54 CR1-23									
S55 CR1-24									
S56 CR1-25									
S57 CR1-26									
S58 CR1-27									
S59 CR1-28									
S60 CR1-29									
S61 CR1-30									
S62 CR1-31									
S63 CR1-32									
S64 CR1-33									
S65 CR1-34									
S66 CR1-35									
S67 CR1-36									
S68 CR1-37									
S69 CR1-38									
S70 CR1-39									
S71 CR1-40									
S72 CR1-41									
S73 CR1-42									
S74 CR1-43									
S75 CR1-44									
S76 CR1-45									
S77 CR1-46									
S78 CR1-47									
S79 CR1-48									
S80 CR1-49									
S81 CR1-50									
S82 CR1-51									
S83 CR1-52									
S84 CR1-53									
S85 CR1-54									
S86 CR1-55									
S87 CR1-56									
S88 CR1-57									
S89 CR1-58									
S90 CR1-59									
S91 CR1-60									
S92 CR1-61									
S93 CR1-62									
S94 CR1-63									
S95 CR1-64									
S96 CR1-65									
S97 CR1-66									
S98 CR1-67									
S99 CR1-68									
S100 CR1-69									
S101 CR1-70									
S102 CR1-71									
S103 CR1-72									
S104 CR1-73									
S105 CR1-74									
S106 CR1-75									
S107 CR1-76									
S108 CR1-77									
S109 CR1-78									
S110 CR1-79									
S111 CR1-80									
S112 CR1-81									
S113 CR1-82									
S114 CR1-83									
S115 CR1-84									
S116 CR1-85									
S117 CR1-86									
S118 CR1-87									
S119 CR1-88									
S120 CR1-89									
S121 CR1-90									
S122 CR1-91									
S123 CR1-92									
S124 CR1-93									
S125 CR1-94									
S126 CR1-95									
S127 CR1-96									
S128 CR1-97									
S129 CR1-98									
S130 CR1-99									
S131 CR1-100									

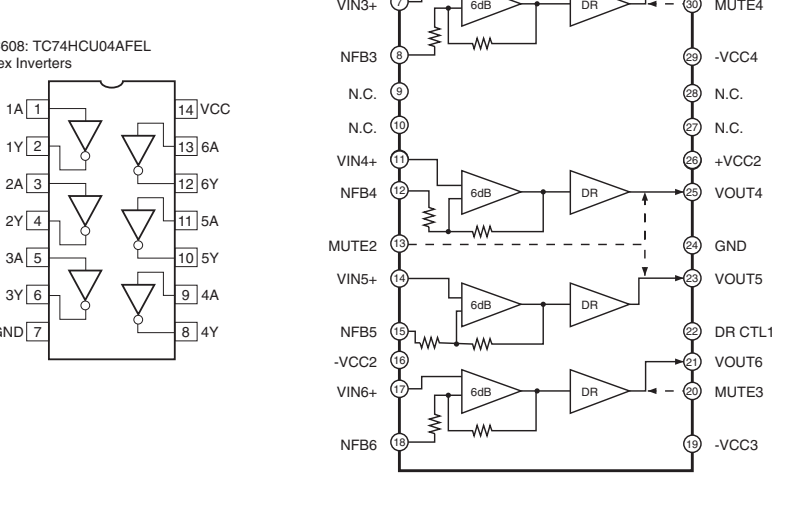
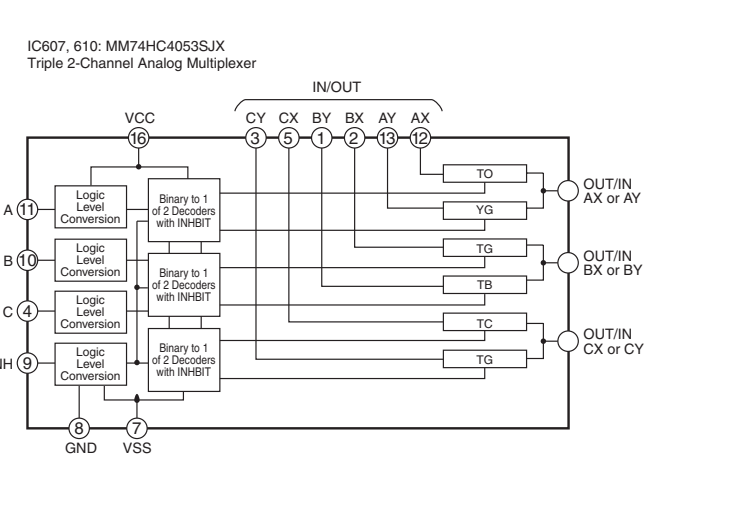
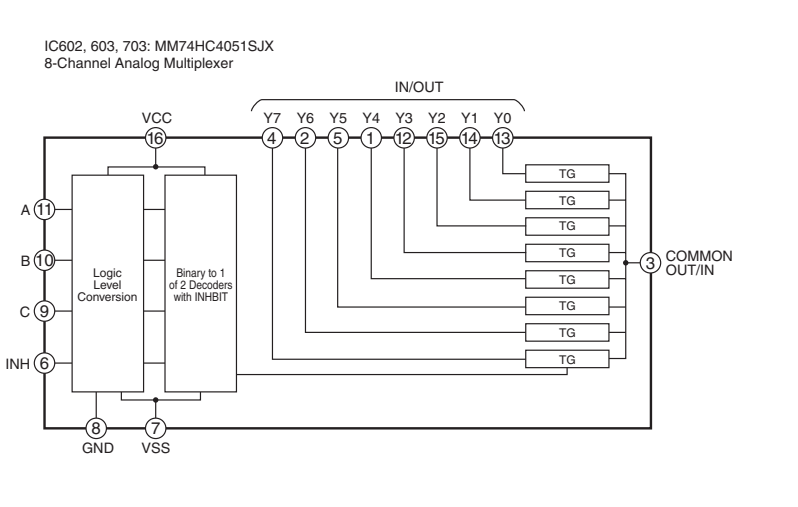
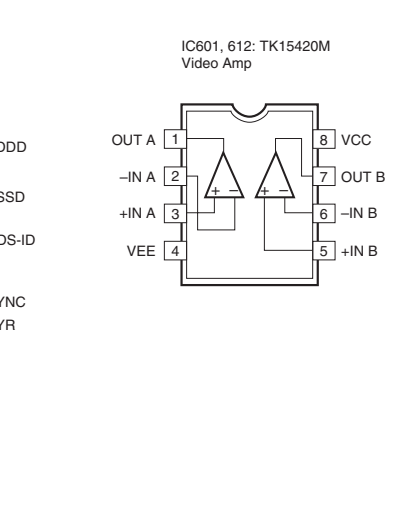
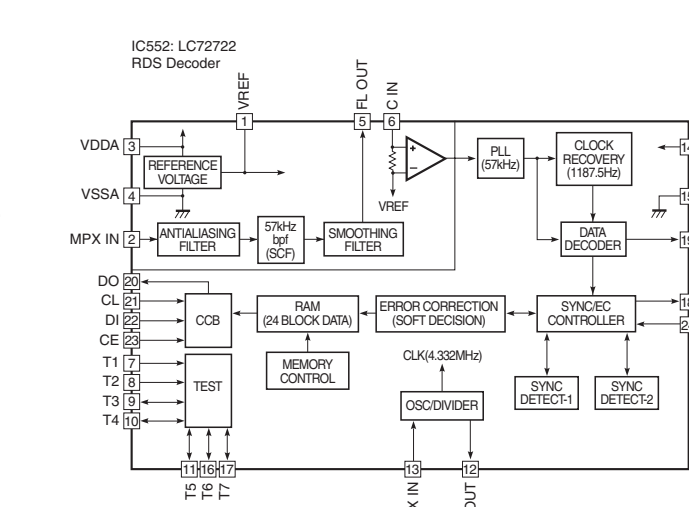
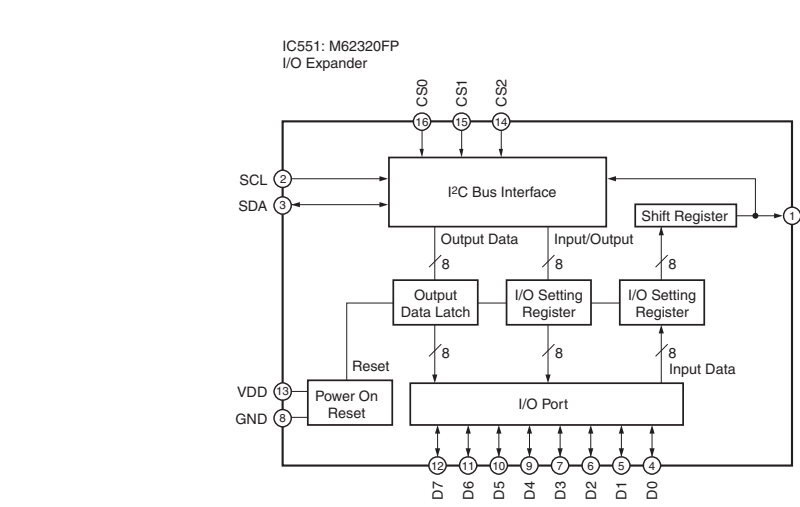
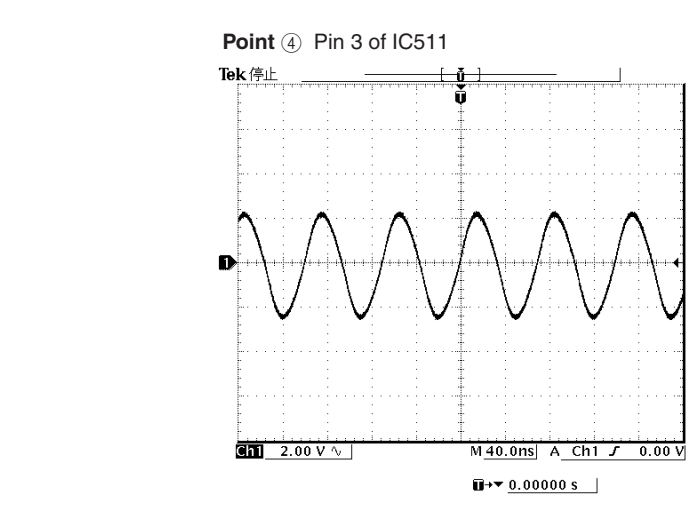
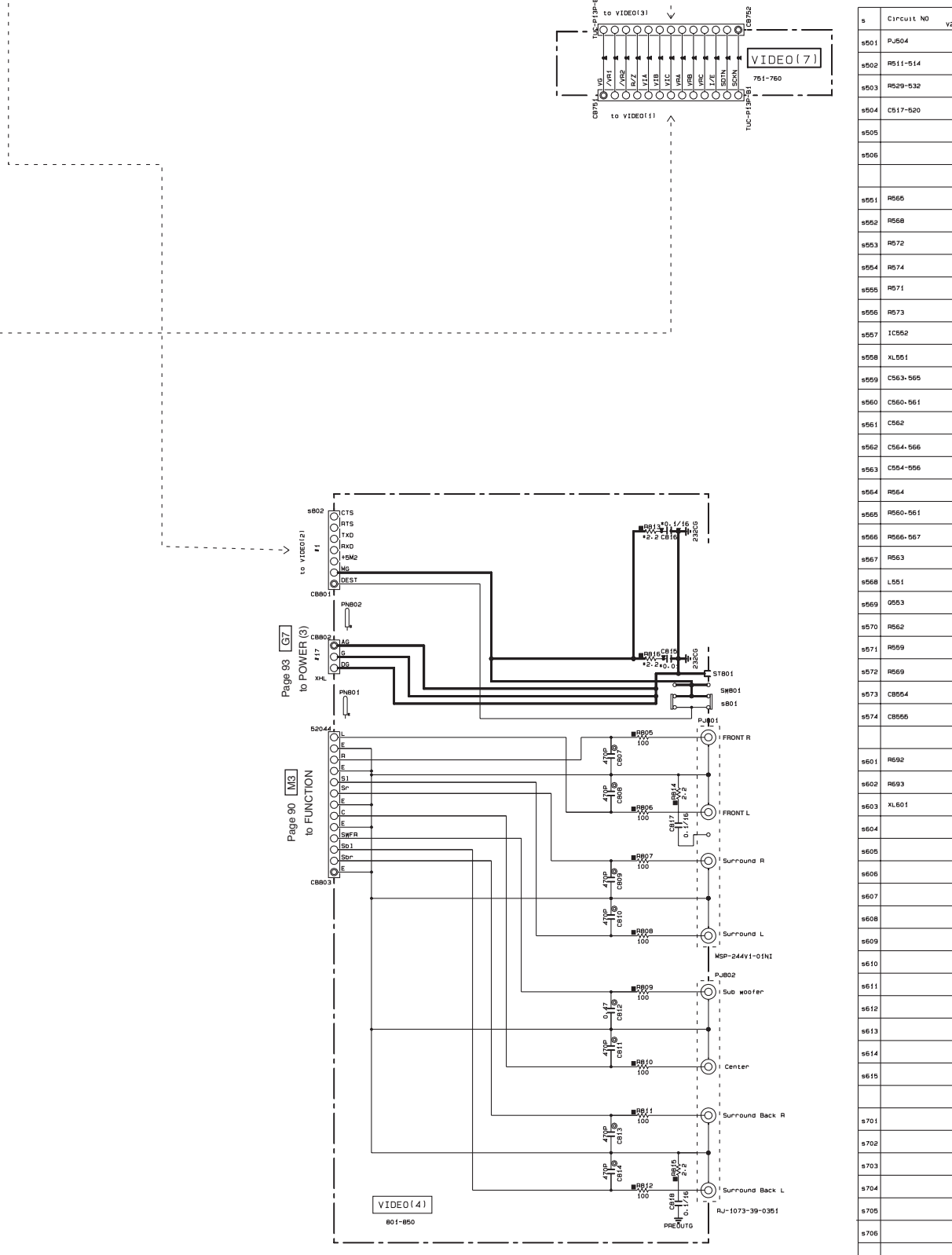
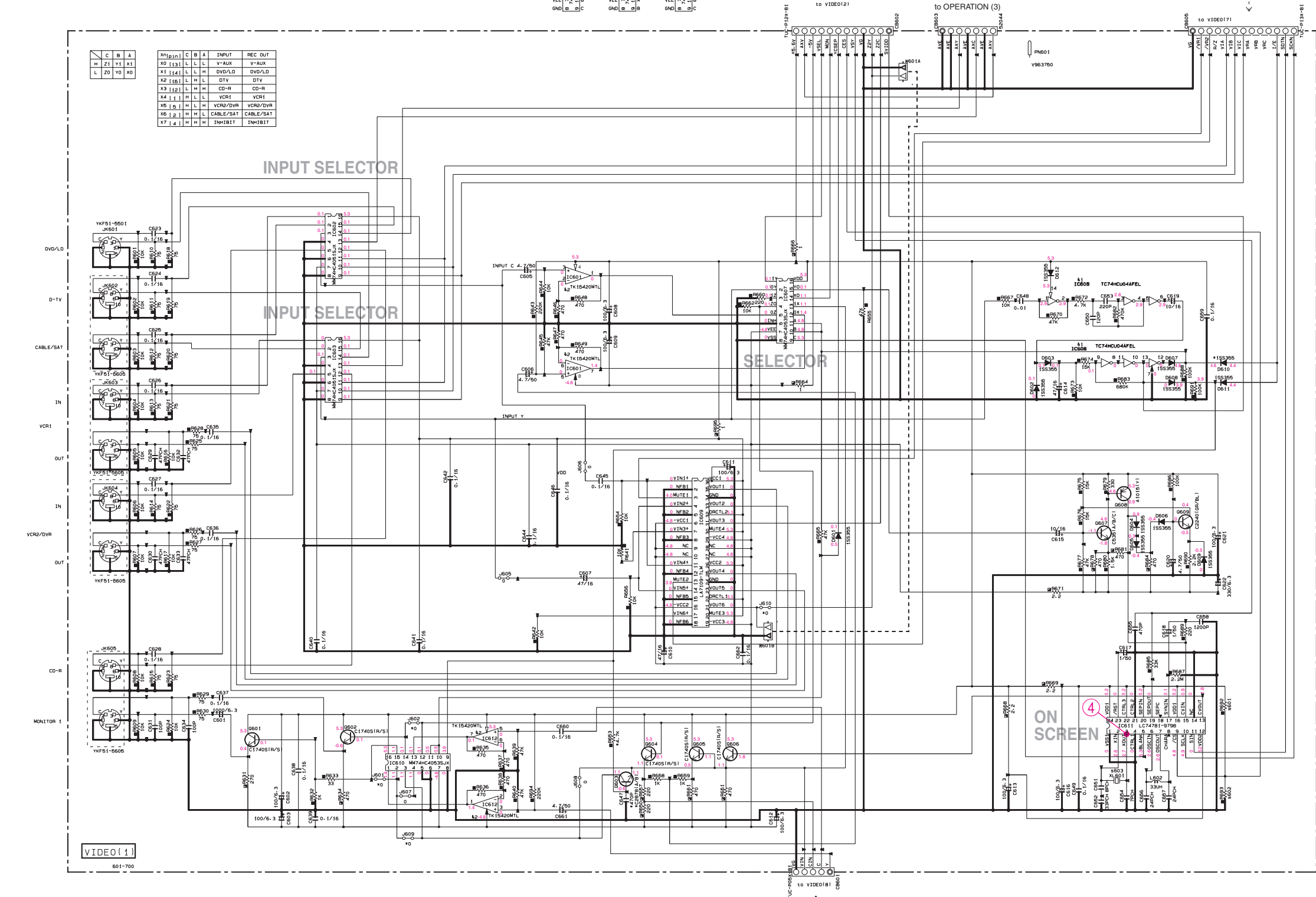
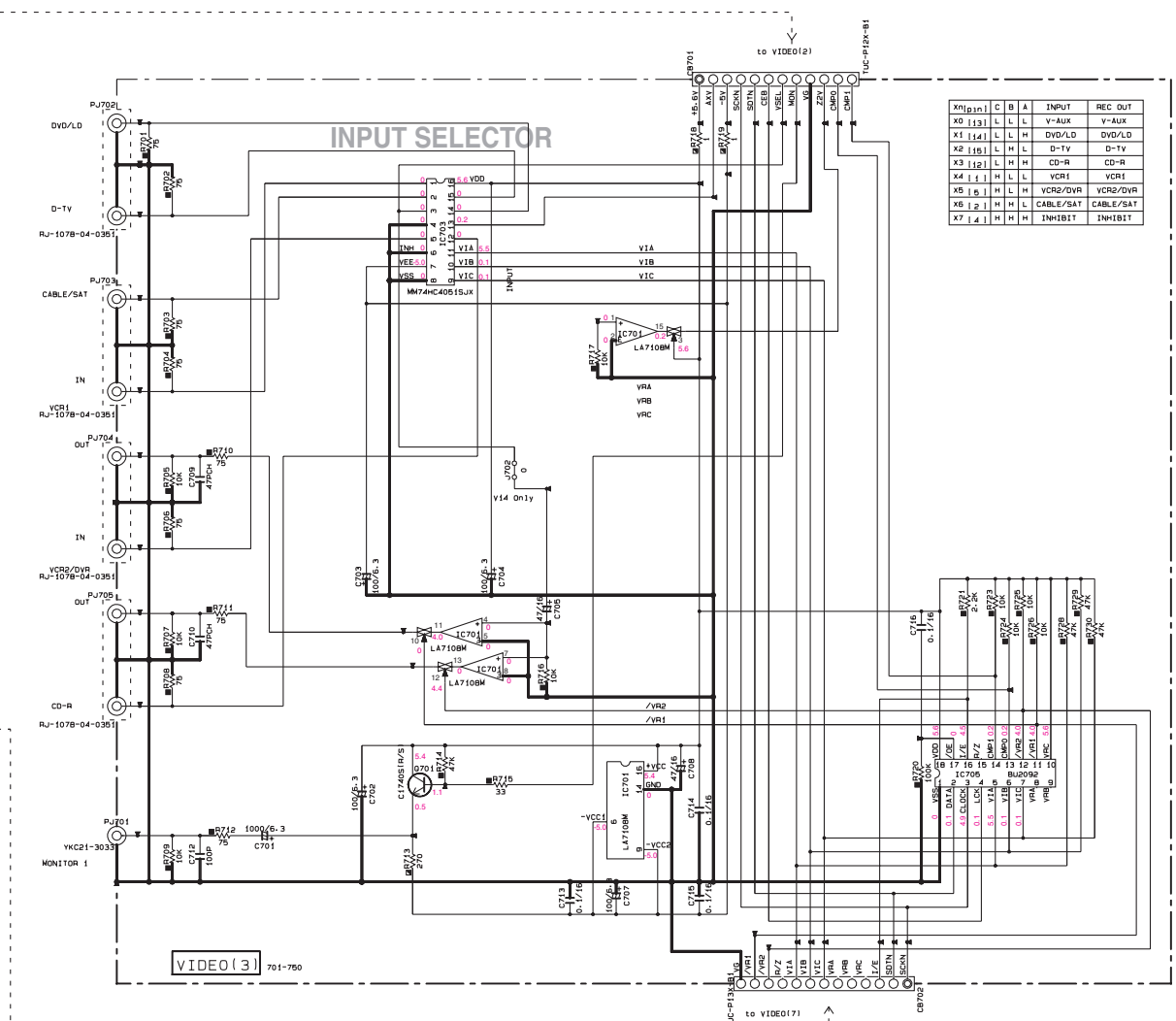
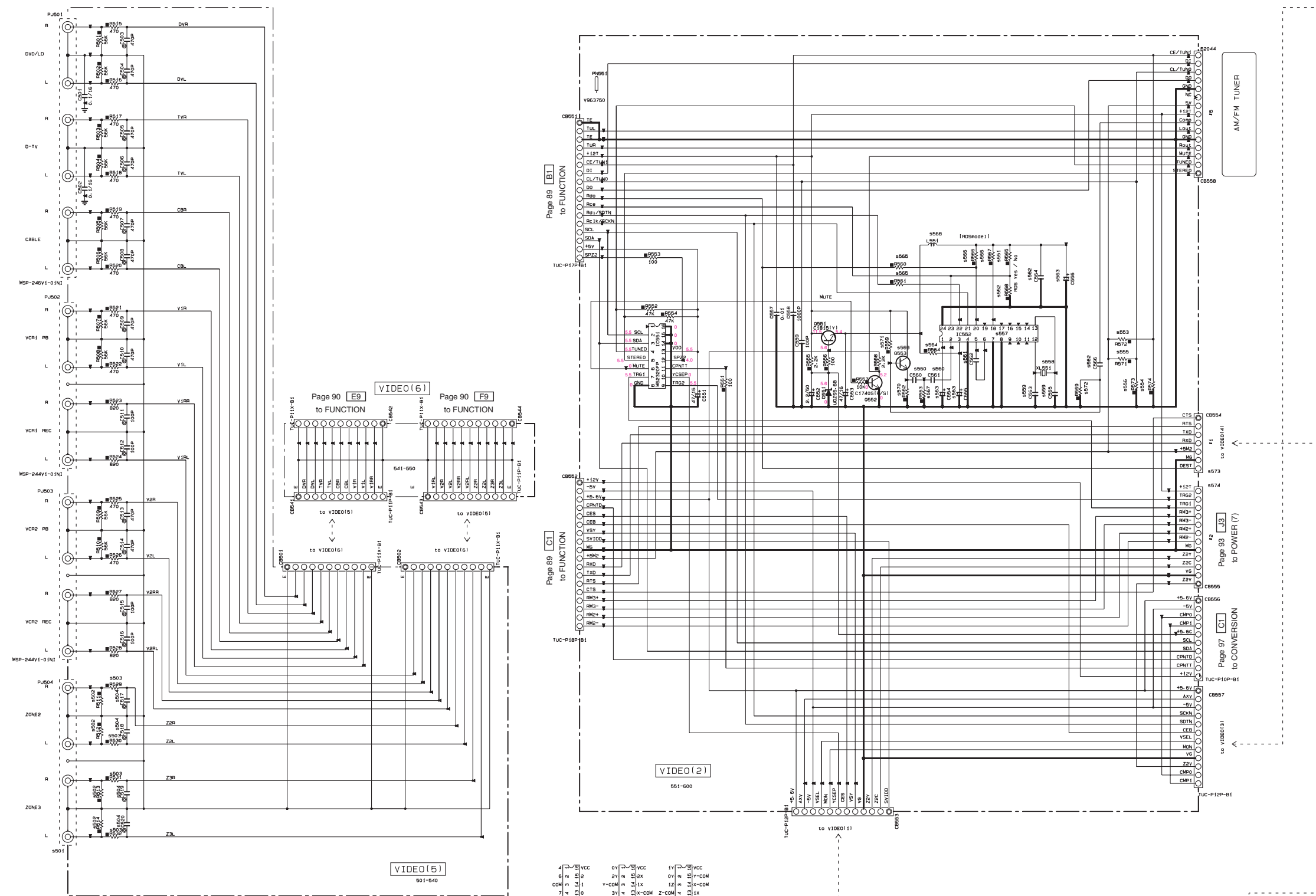
● All voltages are measured with a 10MΩV DC electronic volt meter.
 ● Components having special characteristics are marked !, and must be replaced with parts having specifications equal to those originally installed.
 ● Schematic diagram is subject to change without notice.
 ● 電圧は、内部抵抗10MΩの電圧計で測定したものです。
 ● !印のある部品は、安全性確保部品を示しています。部品の交換が必要な場合、パーツリストに記載されている部品を使用してください。
 ● 本回路図は標準回路図です。改良のため予告なく変更することがございます。

SCHEMATIC DIAGRAM (VIDEO) RX-V1400/RX-V1400RDS/HTR-5690/DSP-AX1400

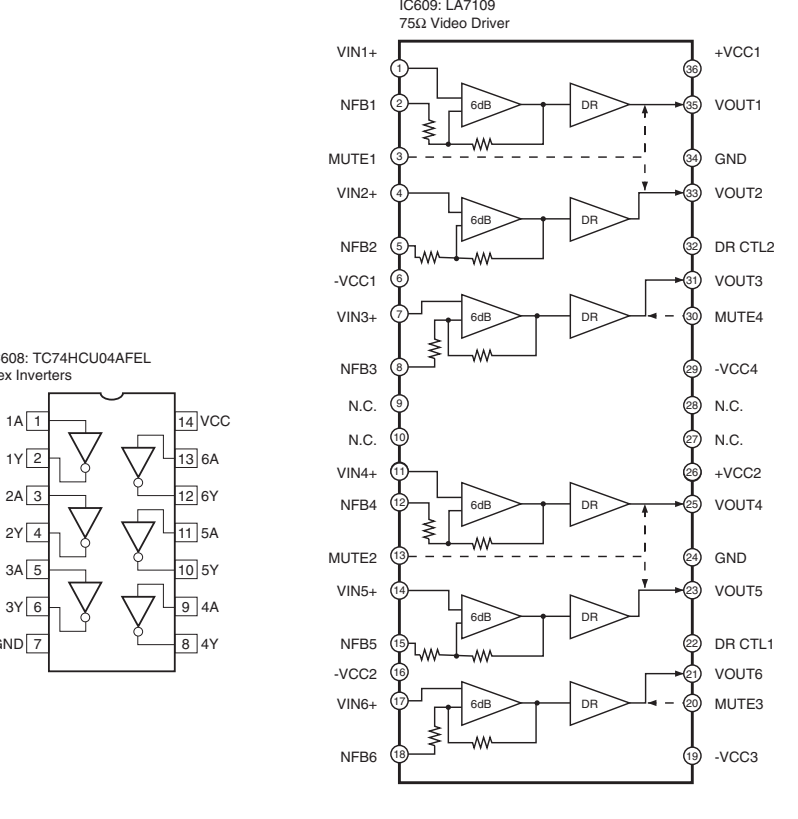
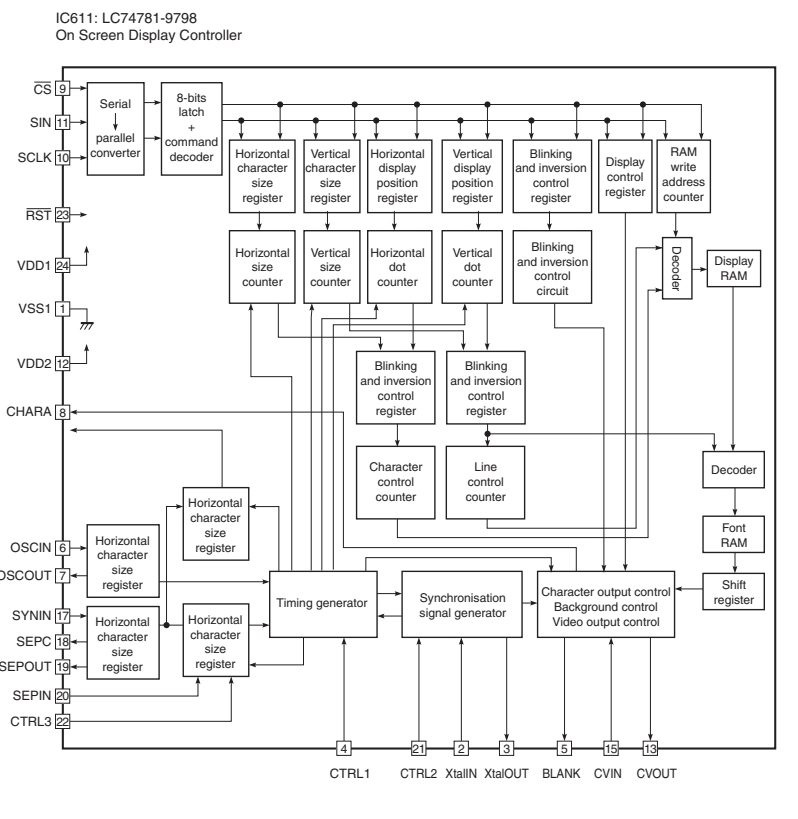
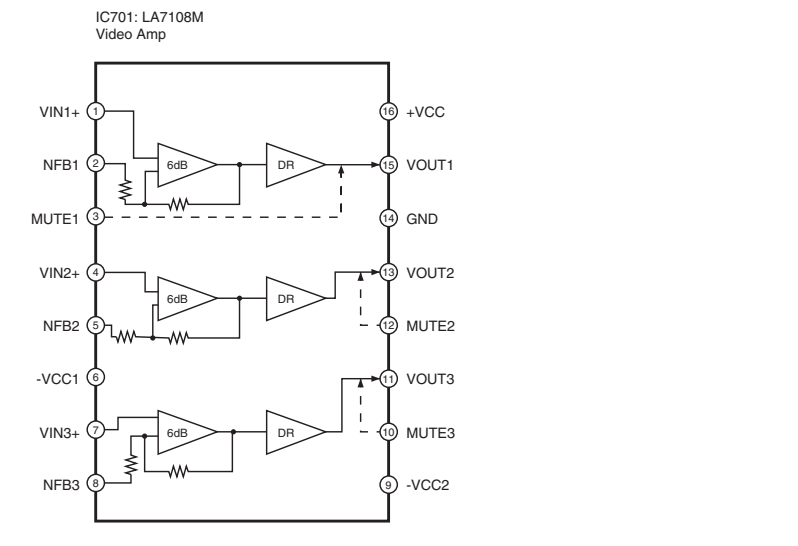
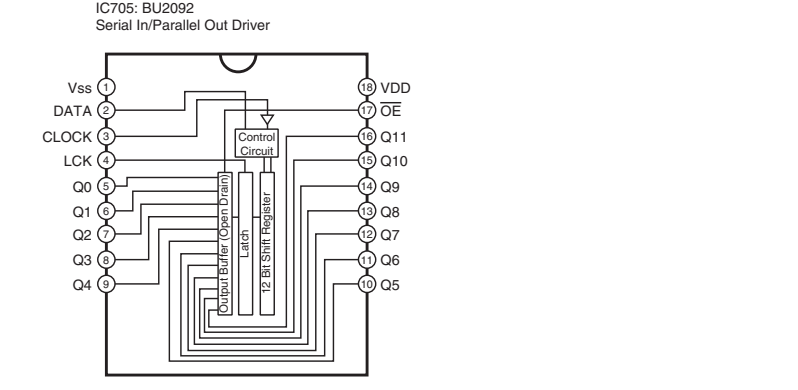
RX-V2400/RX-V2400RDS/DSP-AX2400/RX-V1400/RX-V1400RDS/HTR-5690/DSP-AX1400

- All voltages are measured with a 10MΩ/V DC electronic volt meter.
- Components having special characteristics are marked **!** and must be replaced with parts having specifications equal to those originally installed.
- Schematic diagram is subject to change without notice.

- 電圧は、内部抵抗10MΩの電圧計で測定したものです。
- 1印のある部品は、安全性確保部品を示しています。部品の交換が必要な場合、パーツリストに記載されている部品を使用してください。
- 本回路図は標準回路図です。改良のため予告なく変更することがございます。



IC	Part No.	Lot No.	QTY	DESCRIPTION	MANUFACTURER	REMARKS
IC601	612	TK15420M	1	Video Amp	TAIYO YUDEN	
IC602	603, 703	MM74HC4051JX	1	8-Channel Analog Multiplexer	ROHM	
IC603	610	MM74HC4053JX	1	Triple 2-Channel Multiplexer	ROHM	
IC604	608	TC74HC04AFEL	1	Hex Inverters	ROHM	

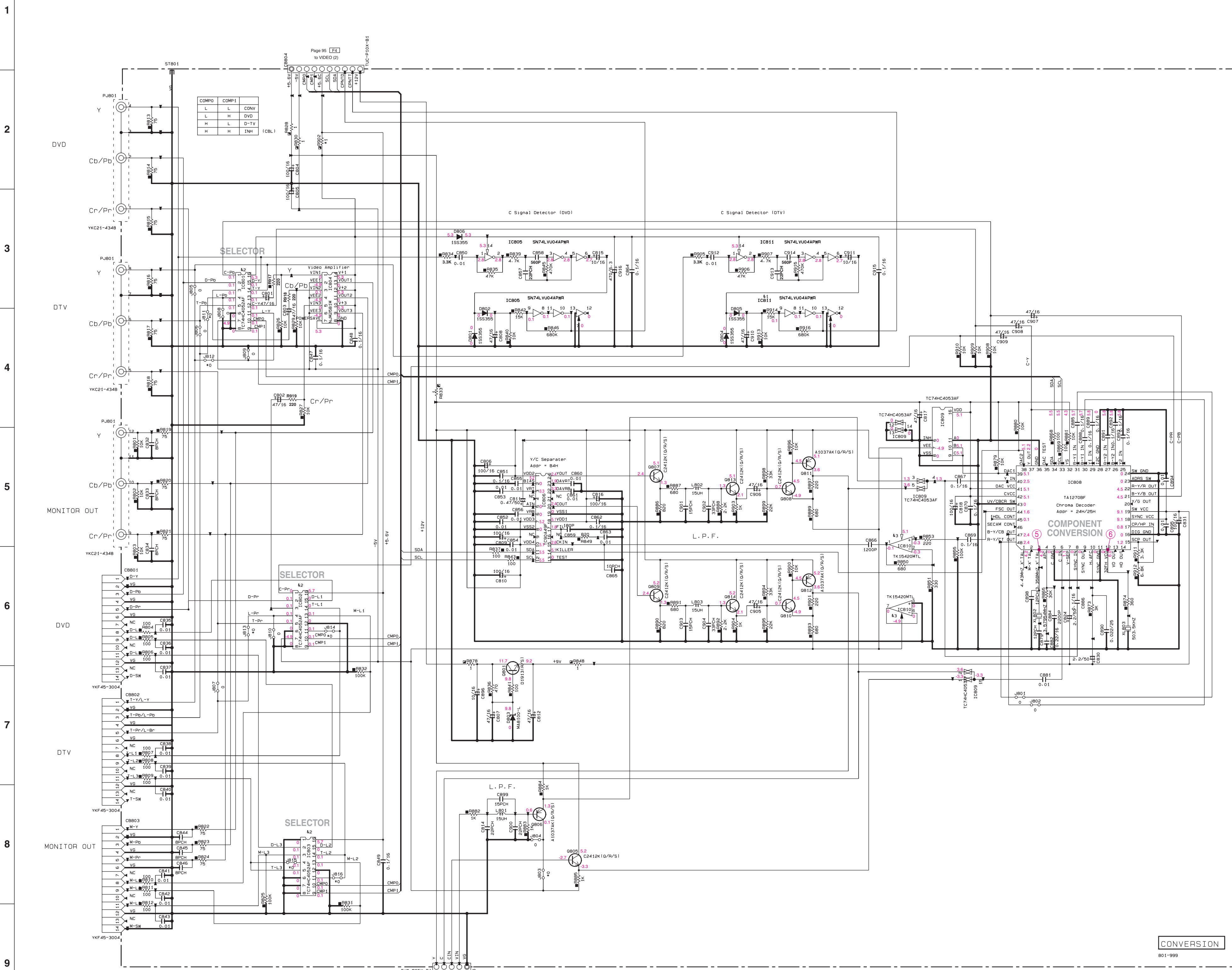


SCHEMATIC DIAGRAM (CONVERSION) RX-V1400/RX-V1400RDS/HTR-5690/DSP-AX1400

RX-V2400/RX-V2400RDS/DSP-AX2400/RX-V1400/RX-V1400RDS/HTR-5690/DSP-AX1400

- All voltages are measured with a 10MΩ/V DC electronic volt meter.
- Components having special characteristics are marked !, and must be replaced with parts having specifications equal to those originally installed.
- Schematic diagram is subject to change without notice.

- 電圧は、内部抵抗10MΩの電圧計で測定したものです。
- !印のある部品は、安全性確保部品を示しています。部品の交換が必要な場合、パーツリストに記載されている部品を使用してください。
- 本回路図は標準回路図です。改良のため予告なく変更することがございます。



RESISTOR

REMARKS	PARTS NAME
NO MARK	CARBON FILM RESISTOR (P=5)
□	CARBON FILM RESISTOR (P=10)
△	METAL OXIDE FILM RESISTOR
⊠	METAL FILM RESISTOR
⊞	FIRE PROOF CARBON FILM RESISTOR
⊞	CEMENT MOLDED RESISTOR
⊞	SEMI-VARIABLE RESISTOR
■	CHIP RESISTOR

NOTICE (mode1)

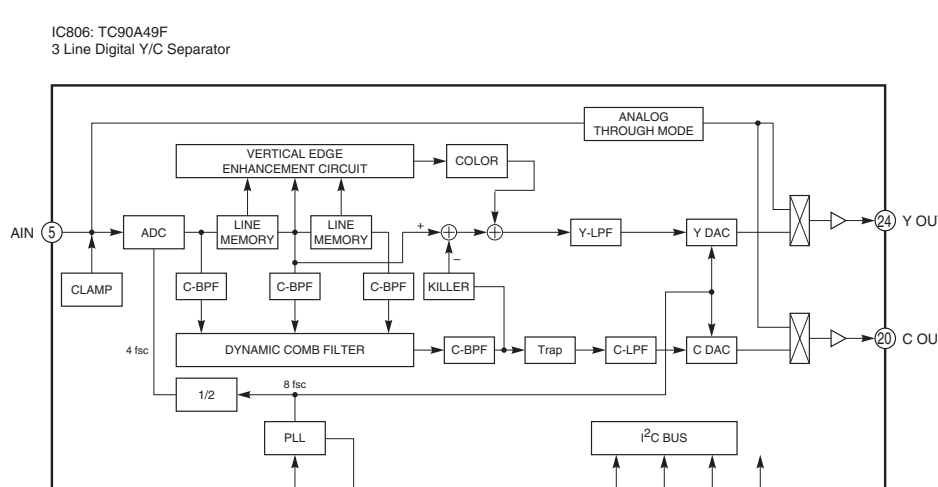
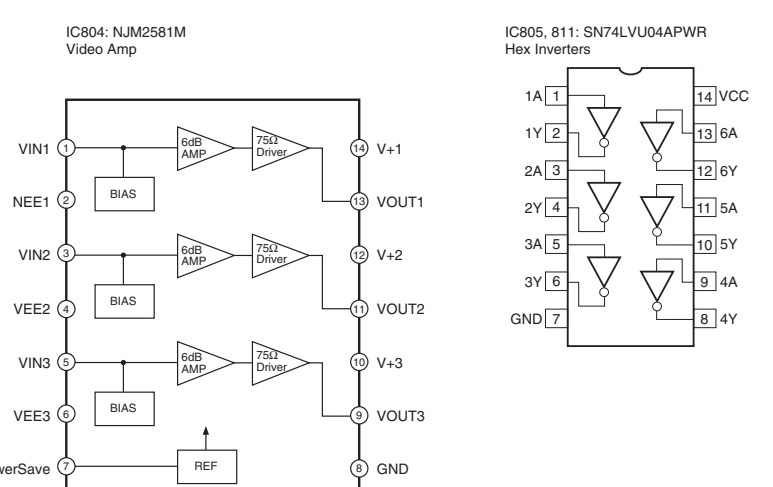
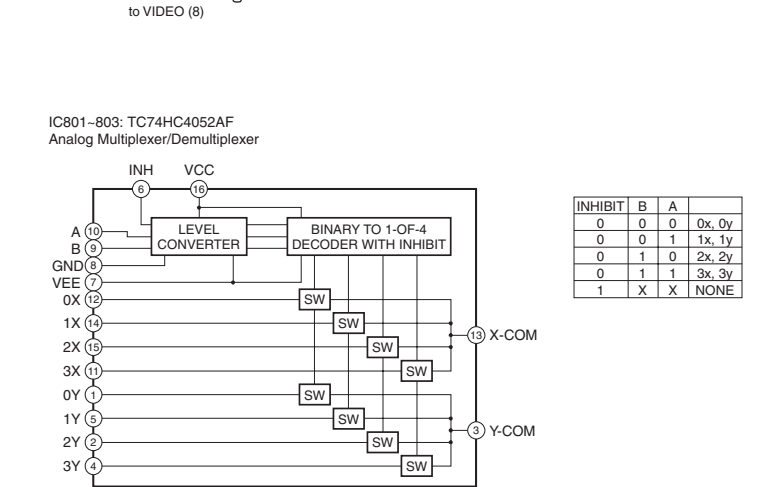
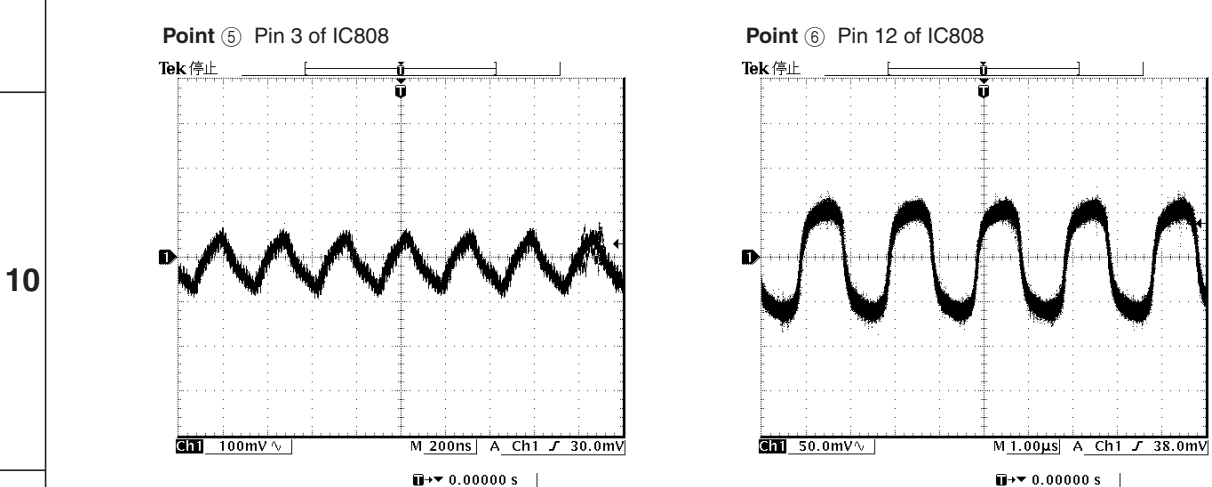
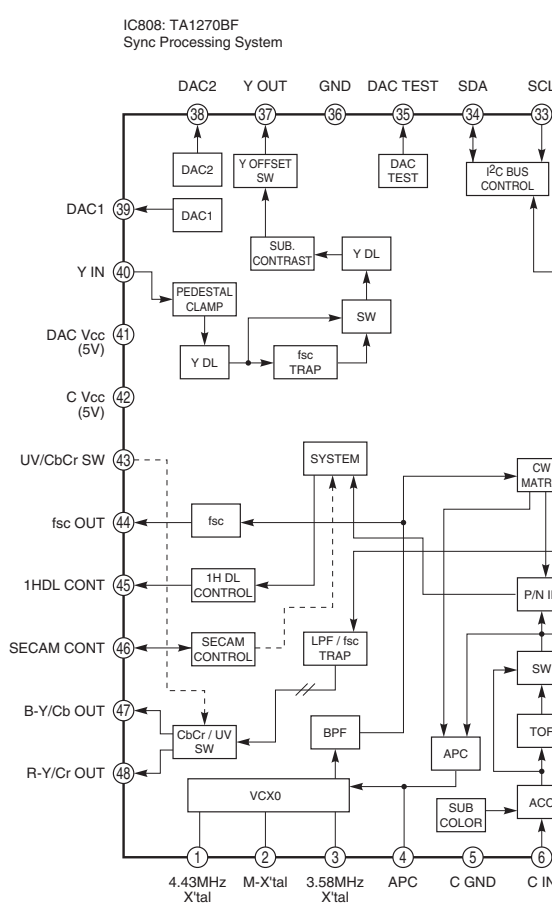
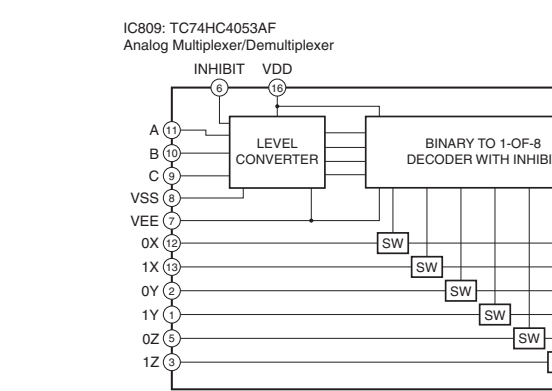
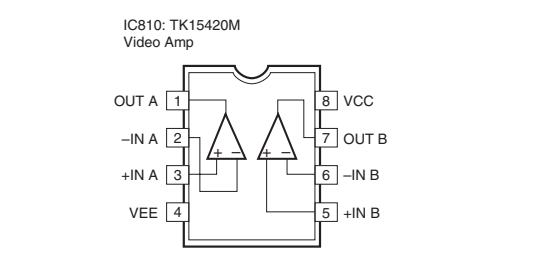
(J)..... JAPAN
 (U)..... U.S.A
 (C)..... CANADA
 (R)..... GENERAL
 (T)..... CHINA
 (K)..... KOREA
 (A)..... AUSTRALIA
 (B)..... BRITISH
 (G)..... EUROPE
 (L)..... SINGAPORE

CAPACITOR

REMARKS	PARTS NAME
NO MARK	ELECTROLYTIC CAPACITOR
⊗	TANTALUM CAPACITOR
NO MARK	CERAMIC CAPACITOR
⊙	CERAMIC TUBULAR CAPACITOR
⊚	POLYESTER FILM CAPACITOR
○	POLYSTYRENE FILM CAPACITOR
①	MICA CAPACITOR
⊖	POLYPROPYLENE FILM CAPACITOR
⊖	SEMICONDUCTIVE CERAMIC CAPACITOR

Interchangeable Parts at Manufacture-Stage

Mark	Reference Parts Number	Parts Name
k1	IC801-803	TC74HC4052AF M74HC4052SJ
k3	IC810	TX15420M 480956AR



PARTS LIST

■ ELECTRICAL PARTS

■ WARNING

● Components having special characteristics are marked \triangle and must be replaced with parts having specifications equal to those originally installed.

- \triangle 印のある部分は、安全確保部品を示しています。部品の交換が必要な場合、パーツリストに記載されている部品を使用してください。
- 部品価格ランクは、予告なく変更することがあります。

ABBREVIATIONS IN THIS LIST ARE AS FOLLOWS:

C.A.EL.CHP	: CHIP ALUMI.ELECTROLYTIC CAP	L.EMIT	: LIGHT EMITTING MODULE
C.CE	: CERAMIC CAP	LED.DSPLY	: LED DISPLAY
C.CE.ARRAY	: CERAMIC CAP ARRAY	LED.INFRD	: LED,INFRARED
C.CE.CHP	: CHIP CERAMIC CAP	MODUL.RF	: MODULATOR,RF
C.CE.ML	: MULTILAYER CERAMIC CAP	PHOT.CPL	: PHOTO COUPLER
C.CE.M.CHP	: CHIP MULTILAYER CERAMIC CAP	PHOT.INTR	: PHOTO INTERRUPTER
C.CE.SAFTY	: RECOGNIZED CERAMIC CAP	PHOT.RFLCT	: PHOTO REFLECTOR
C.CE.TUBLR	: CERAMIC TUBULAR CAP	PIN.TEST	: PIN,TEST POINT
C.CE.SMI	: SEMI CONDUCTIVE CERAMIC CAP	PLST.RIVET	: PLASTIC RIVET
C.EL	: ELECTROLYTIC CAP	R.ARRAY	: RESISTOR ARRAY
C.MICA	: MICA CAP	R.CAR.	: CARBON RESISTOR
C.ML.FLM	: MULTILAYER FILM CAP	R.CAR.CHP	: CHIP RESISTOR
C.MP	: METALLIZED PAPER CAP	R.CAR.FP	: FLAME PROOF CARBON RESISTOR
C.MYLAR	: MYLAR FILM CAP	R.FUS	: FUSABLE RESISTOR
C.MYLAR.ML	: MULTILAYER MYLAR FILM CAP	R.MTL.CHP	: CHIP METAL FILM RESISTOR
C.PAPER	: PAPER CAPACITOR	R.MTL.FLM	: METAL FILM RESISTOR
C.PLS	: POLYSTYRENE FILM CAP	R.MTL.OXD	: METAL OXIDE FILM RESISTOR
C.POL	: POLYESTER FILM CAP	R.MTL.PLAT	: METAL PLATE RESISTOR
C.POLY	: POLYETHYLENE FILM CAP	RSNR.CE	: CERAMIC RESONATOR
C.PP	: POLYPROPYLENE FILM CAP	RSNR.CRYS	: CRYSTAL RESONATOR
C.TNTL	: TANTALUM CAP	R.TW.CEM	: TWIN CEMENT FIXED RESISTOR
C.TNTL.CHP	: CHIP TANTALUM CAP	R.WW	: WIRE WOUND RESISTOR
C.TRIM	: TRIMMER CAP	SCR.BND.HD	: BIND HEAD B-TITE SCREW
CN	: CONNECTOR	SCR.BW.HD	: BW HEAD TAPPING SCREW
CN.BS.PIN	: CONNECTOR,BASE PIN	SCR.CUP	: CUP TITE SCREW
CN.CANNON	: CONNECTOR,CANNON	SCR.TERM	: SCREW TERMINAL
CN.DIN	: CONNECTOR,DIN	SCR.TR	: SCREW,TRANSISTOR
CN.FLAT	: CONNECTOR,FLAT CABLE	SUPRT.PCB	: SUPPORT,P.C.B.
CN.POST	: CONNECTOR,BASE POST	SURG.PRTCT	: SURGE PROTECTOR
COIL.MX.AM	: COIL,AM MIX	SW.TACT	: TACT SWITCH
COIL.AT.FM	: COIL,FM ANTENNA	SW.LEAF	: LEAF SWITCH
COIL.DT.FM	: COIL,FM DETECT	SW.LEVER	: LEVER SWITCH
COIL.MX.FM	: COIL,FM MIX	SW.MICRO	: MICRO SWITCH
COIL.OUTPT	: OUTPUT COIL	SW.PUSH	: PUSH SWITCH
DIOD.ARRAY	: DIODE ARRAY	SW.RT.ENC	: ROTARY ENCODER
DIODE.BRG	: DIODE BRIDGE	SW.RT.MTR	: ROTARY SWITCH WITH MOTOR
DIODE.CHP	: CHIP DIODE	SW.RT	: ROTARY SWITCH
DIODE.VAR	: VARACTOR DIODE	SW.SLIDE	: SLIDE SWITCH
DIOD.Z.CHP	: CHIP ZENER DIODE	TERM.SP	: SPEAKER TERMINAL
DIODE.ZENR	: ZENER DIODE	TERM.WRAP	: WRAPPING TERMINAL
DSCR.CE	: CERAMIC DISCRIMINATOR	THRMST.CHP	: CHIP THERMISTOR
FER.BEAD	: FERRITE BEADS	TR.CHP	: CHIP TRANSISTOR
FER.CORE	: FERRITE CORE	TR.DGT	: DIGITAL TRANSISTOR
FET.CHP	: CHIP FET	TR.DGT.CHP	: CHIP DIGITAL TRANSISTOR
FL.DSPLY	: FLUORESCENT DISPLAY	TRANS	: TRANSFORMER
FLTR.CE	: CERAMIC FILTER	TRANS.PULS	: PULSE TRANSFORMER
FLTR.COMB	: COMB FILTER MODULE	TRANS.PWR	: POWER TRANSFORMER ASS'Y
FLTR.LC.RF	: LC FILTER,EMI	TUNER.AM	: TUNER PACK,AM
GND.MTL	: GROUND PLATE	TUNER.FM	: TUNER PACK,FM
GND.TERM	: GROUND TERMINAL	TUNER.PK	: FRONT-ENDTUNER PACK
HOLDER.FUS	: FUSE HOLDER	VR	: ROTARY POTENTIOMETER
IC.PRTCT	: IC PROTECTOR	VR.MTR	: POTENTIOMETER WITH MOTOR
JUMPER.CN	: JUMPER CONNECTOR	VR.SW	: POTENTIOMETER WITH ROTARY SW
JUMPER.TST	: JUMPER,TEST POINT	VR.SLIDE	: SLIDE POTENTIOMETER
L.DTCT	: LIGHT DETECTING MODULE	VR.TRIM	: TRIMMER POTENTIOMETER

Note) Those parts marked with “#” are not included in the P.C.B. ass'y.

P.C.B. DSP

Schm Ref.	PART NO.	Description	Remarks	Markets	部 品 名	Rank	
*	WB724800	P. C. B.	DSP	2400	J	P C B D S P	
*	WB724900	P. C. B.	DSP	2400	UCRTKABGL	P C B D S P	
*	WB725000	P. C. B.	DSP	1400, 5690	J	P C B D S P	
*	WB725100	P. C. B.	DSP	1400, 5690	UCRTKABGL	P C B D S P	
	CB501	VF982300	CN. BS. PIN	17P		F F C コネクタ	01
	CB503	VQ044800	CN. BS. PIN	18P		F F C コネクタ	01
	CB504	VB858300	CN. BS. PIN	4P		コネクタベースポスト	01
	CB505	LB919020	CN. BS. PIN	2P		ベース付ポスト	01
*	C513	UR237220	C. EL	22uF 16V		ケミコン	
*	C514	UR237220	C. EL	22uF 16V		ケミコン	
*	C515	UR237220	C. EL	22uF 16V		ケミコン	
*	C516	UR219100	C. EL	1000uF 6.3V		ケミコン	
*	C518	UR237470	C. EL	47uF 16V		ケミコン	
*	C521	UR237470	C. EL	47uF 16V		ケミコン	
*	C533	UR218100	C. EL	100uF 6.3V		ケミコン	
*	C537	UR218470	C. EL	470uF 6.3V		ケミコン	
	C542	UA654680	C. MYLAR	0.068uF 50V		マイラーコン	02
	C543	UA653100	C. MYLAR	1000pF 50V		マイラーコン	03
*	C548	UR218100	C. EL	100uF 6.3V		ケミコン	
*	C549	UR237220	C. EL	22uF 16V		ケミコン	
*	C554	UR218100	C. EL	100uF 6.3V		ケミコン	
*	C558	UR237470	C. EL	47uF 16V		ケミコン	
*	C560	UR237470	C. EL	47uF 16V		ケミコン	
*	C561	UR218470	C. EL	470uF 6.3V		ケミコン	
*	C565	UR237100	C. EL	10uF 16V		ケミコン	
*	C566	UR237470	C. EL	47uF 16V		ケミコン	
*	C569	UR237470	C. EL	47uF 16V		ケミコン	
*	C602	UR237100	C. EL	10uF 16V		ケミコン	
*	C611	UR237100	C. EL	10uF 16V		ケミコン	
*	C649	UR237470	C. EL	47uF 16V		ケミコン	
*	C662	UR237100	C. EL	10uF 16V		ケミコン	
*	C663	UR237220	C. EL	22uF 16V		ケミコン	
*	C667	UR237220	C. EL	22uF 16V		ケミコン	
*	C675	UR237100	C. EL	10uF 16V		ケミコン	
*	C682	UR237100	C. EL	10uF 16V		ケミコン	
*	C683	UR237220	C. EL	22uF 16V		ケミコン	
*	C692	UU137470	C. EL	47uF 16V		ケミコン	
*	C693	UU137470	C. EL	47uF 16V		ケミコン	
*	C694	UU166220	C. EL	2.2uF 50V		ケミコン	
*	C697	UR237100	C. EL	10uF 16V		ケミコン	
*	C699	UR037100	C. EL	10uF 16V		ケミコン	
*	C700	UR037100	C. EL	10uF 16V		ケミコン	
*	C705	UU137470	C. EL	47uF 16V		ケミコン	
*	C706	UU137470	C. EL	47uF 16V		ケミコン	
	C708	UA655100	C. MYLAR. ML	0.1uF 50V		積層マイラーコン	01
	C709	UA655100	C. MYLAR. ML	0.1uF 50V		積層マイラーコン	01
*	C710	UR037470	C. EL	47uF 16V		ケミコン	
*	C711	UR037470	C. EL	47uF 16V		ケミコン	
*	C712	UU137470	C. EL	47uF 16V		ケミコン	
*	C715	UU137470	C. EL	47uF 16V		ケミコン	
*	C719	UU137470	C. EL	47uF 16V		ケミコン	
*	C720	UU137470	C. EL	47uF 16V		ケミコン	
*	C721	UU137470	C. EL	47uF 16V		ケミコン	

* New Parts * 新規部品(マーク#の部品は、基板に含まれません)

RX-V2400/RX-V2400RDS/DSP-AX2400
 RX-V1400/RX-V1400RDS/HTR-5690/DSP-AX1400

P.C.B. DSP

Schm Ref.	PART NO.	Description	Remarks	Markets	部 品 名	Rank
C722	UA653390	C. MYLAR 3900pF 50V			マイラーコン	01
C723	UA653390	C. MYLAR 3900pF 50V			マイラーコン	01
C724	UA653390	C. MYLAR 3900pF 50V			マイラーコン	01
C725	UA653390	C. MYLAR 3900pF 50V			マイラーコン	01
C726	UA653390	C. MYLAR 3900pF 50V			マイラーコン	01
C727	UA653390	C. MYLAR 3900pF 50V			マイラーコン	01
C728	UA653390	C. MYLAR 3900pF 50V			マイラーコン	01
C729	UA653390	C. MYLAR 3900pF 50V			マイラーコン	01
C730	UA654330	C. MYLAR 0.033uF 50V			マイラーコン	01
C731	UA654330	C. MYLAR 0.033uF 50V			マイラーコン	01
C732	UA654100	C. MYLAR 0.01uF 50V			マイラーコン	01
C733	UA654100	C. MYLAR 0.01uF 50V			マイラーコン	01
C734	UA652390	C. MYLAR 390pF 50V			マイラーコン	01
C735	UA652390	C. MYLAR 390pF 50V			マイラーコン	01
C736	UA652390	C. MYLAR 390pF 50V			マイラーコン	01
C737	UA652390	C. MYLAR 390pF 50V			マイラーコン	01
C738	UA652390	C. MYLAR 390pF 50V			マイラーコン	01
C739	UA652390	C. MYLAR 390pF 50V			マイラーコン	01
C740	UA652390	C. MYLAR 390pF 50V			マイラーコン	01
C741	UA652390	C. MYLAR 390pF 50V			マイラーコン	01
C742	UA654150	C. MYLAR 0.015uF 50V			マイラーコン	01
C743	UA654150	C. MYLAR 0.015uF 50V			マイラーコン	01
C744	UA652390	C. MYLAR 390pF 50V			マイラーコン	01
C745	UA652390	C. MYLAR 390pF 50V			マイラーコン	01
C746	UA652390	C. MYLAR 390pF 50V			マイラーコン	01
C747	UA652390	C. MYLAR 390pF 50V			マイラーコン	01
C748	UA652390	C. MYLAR 390pF 50V			マイラーコン	01
C749	UA652390	C. MYLAR 390pF 50V			マイラーコン	01
C750	UA652390	C. MYLAR 390pF 50V			マイラーコン	01
C751	UA652390	C. MYLAR 390pF 50V			マイラーコン	01
C752	UA652390	C. MYLAR 390pF 50V			マイラーコン	01
C753	UA652390	C. MYLAR 390pF 50V			マイラーコン	01
C754	UA654150	C. MYLAR 0.015uF 50V			マイラーコン	01
C755	UA654150	C. MYLAR 0.015uF 50V			マイラーコン	01
C756	UA652390	C. MYLAR 390pF 50V			マイラーコン	01
C757	UA652390	C. MYLAR 390pF 50V			マイラーコン	01
* C770	URO37100	C. EL 10uF 16V			ケミコン	
* C771	URO37100	C. EL 10uF 16V			ケミコン	
* C772	URO37100	C. EL 10uF 16V			ケミコン	
* C773	URO37100	C. EL 10uF 16V			ケミコン	
* C774	URO37100	C. EL 10uF 16V			ケミコン	
* C775	URO37100	C. EL 10uF 16V			ケミコン	
* C776	URO37100	C. EL 10uF 16V			ケミコン	
* C777	URO37100	C. EL 10uF 16V			ケミコン	
* C778	URO37100	C. EL 10uF 16V			ケミコン	
* C779	URO37100	C. EL 10uF 16V			ケミコン	
* C780	URO37100	C. EL 10uF 16V			ケミコン	
* C781	URO37100	C. EL 10uF 16V			ケミコン	
C782	VE326000	C. MYLAR. ML 0.1uF 50V			積層マイラーコン	01
C783	VE326000	C. MYLAR. ML 0.1uF 50V			積層マイラーコン	01
C784	UA655100	C. MYLAR. ML 0.1uF 50V			積層マイラーコン	01
C785	UA655100	C. MYLAR. ML 0.1uF 50V			積層マイラーコン	01
C786	VE326000	C. MYLAR. ML 0.1uF 50V			積層マイラーコン	01

* New Parts * 新規部品(マーク#の部品は、基板に含まれません)

RX-V2400/RX-V2400RDS/DSP-AX2400
RX-V1400/RX-V1400RDS/HTR-5690/DSP-AX1400

P.C.B. DSP

Schm Ref.	PART NO.	Description	Remarks	Markets	部 品 名	Rank
C787	VE326000	C. MYLAR. ML 0. 1uF 50V			積層マイラーコン	01
C788	UA655100	C. MYLAR. ML 0. 1uF 50V			積層マイラーコン	01
C789	UA655100	C. MYLAR. ML 0. 1uF 50V			積層マイラーコン	01
C790	VE326000	C. MYLAR. ML 0. 1uF 50V			積層マイラーコン	01
C791	VE326000	C. MYLAR. ML 0. 1uF 50V			積層マイラーコン	01
C792	UA655100	C. MYLAR. ML 0. 1uF 50V			積層マイラーコン	01
C793	UA655100	C. MYLAR. ML 0. 1uF 50V			積層マイラーコン	01
* C794	UR037470	C. EL 47uF 16V			ケミコン	
* C795	UR037470	C. EL 47uF 16V			ケミコン	
* C796	UR237470	C. EL 47uF 16V			ケミコン	
* C797	UR237470	C. EL 47uF 16V			ケミコン	
* C798	UR037470	C. EL 47uF 16V			ケミコン	
* C799	UR037470	C. EL 47uF 16V			ケミコン	
* C800	UR237470	C. EL 47uF 16V			ケミコン	
* C801	UR237470	C. EL 47uF 16V			ケミコン	
* C802	UR037470	C. EL 47uF 16V			ケミコン	
* C803	UR037470	C. EL 47uF 16V			ケミコン	
* C804	UR237470	C. EL 47uF 16V			ケミコン	
* C805	UR237470	C. EL 47uF 16V			ケミコン	
* C806	UR237100	C. EL 10uF 16V			ケミコン	
* C807	UR237100	C. EL 10uF 16V			ケミコン	
D501	VT332900	D10DE 1SS355			ダイオード	01
D502	VT332900	D10DE 1SS355			ダイオード	01
D509	VT332900	D10DE 1SS355			ダイオード	01
D510	VT332900	D10DE 1SS355			ダイオード	01
D512	VV220700	D10DE. SHOT RB501V-40			ショットキーダイオード	01
D513	VV220700	D10DE. SHOT RB501V-40			ショットキーダイオード	01
D514	VT332900	D10DE 1SS355			ダイオード	01
D515	VT332900	D10DE 1SS355			ダイオード	01
D516	VV220700	D10DE. SHOT RB501V-40			ショットキーダイオード	01
D517	VV220700	D10DE. SHOT RB501V-40			ショットキーダイオード	01
D518	VV220700	D10DE. SHOT RB501V-40			ショットキーダイオード	01
D519	VV220700	D10DE. SHOT RB501V-40			ショットキーダイオード	01
D520	VV220700	D10DE. SHOT RB501V-40			ショットキーダイオード	01
D521	VV220700	D10DE. SHOT RB501V-40			ショットキーダイオード	01
D524	VT332900	D10DE 1SS355			ダイオード	01
D525	VT332900	D10DE 1SS355			ダイオード	01
D528	VT332900	D10DE 1SS355			ダイオード	01
D529	VT332900	D10DE 1SS355			ダイオード	01
D530	VT332900	D10DE 1SS355			ダイオード	01
D531	VT332900	D10DE 1SS355			ダイオード	01
D532	VT332900	D10DE 1SS355			ダイオード	01
D533	VT332900	D10DE 1SS355			ダイオード	01
D534	VT332900	D10DE 1SS355			ダイオード	01
D535	VT332900	D10DE 1SS355			ダイオード	01
D536	VT332900	D10DE 1SS355			ダイオード	01
D537	VT332900	D10DE 1SS355			ダイオード	01
D538	VT332900	D10DE 1SS355			ダイオード	01
D539	VT332900	D10DE 1SS355			ダイオード	01
D540	VT332900	D10DE 1SS355			ダイオード	01
D541	VT332900	D10DE 1SS355			ダイオード	01
D542	VT332900	D10DE 1SS355			ダイオード	01
D543	VT332900	D10DE 1SS355			ダイオード	01

* New Parts * 新規部品(マーク#の部品は、基板に含まれません)

RX-V2400/RX-V2400RDS/DSP-AX2400
 RX-V1400/RX-V1400RDS/HTR-5690/DSP-AX1400

P.C.B. DSP

Schm Ref.	PART NO.	Description	Remarks	Markets	部 品 名	Rank	
D544	VT332900	D10DE	1SS355		ダイオード	01	
D545	VT332900	D10DE	1SS355		ダイオード	01	
D546	VT332900	D10DE	1SS355		ダイオード	01	
D547	VT332900	D10DE	1SS355		ダイオード	01	
* IC501	X3936A00	IC	SN74LVU04APWR		ロジックIC		
* IC502	X3018A00	IC	SN74AHCT00PWR NAND		ロジックIC T SOP	01	
* IC503	X4314A00	IC	PQ012FZ01ZP 1.2V1A		電源IC QFP		
* IC504	XV894A00	IC	TC74VHC153FT MULTI		ロジックIC	03	
* IC505	XV894A00	IC	TC74VHC153FT MULTI		ロジックIC	03	
IC506	XR038A00	IC	NJM2904M OP AMP		IC	01	
IC508	XZ003A00	IC	PQ025EZ5MZP 2.5V		電源IC QFP	03	
* IC509	X3566A00	IC	LC89057W-VF4-E		IC		
IC510	XU965A00	IC	uPC29M33T-E1 3.3V		電源IC	03	
* IC511	X3824A00	IC	SN74AHCT08PWR		ロジックIC		
* IC512	X4290A00	IC	D601A002PYP180		IC		
* IC513	X3693A00	IC	SN74LV245APWR TRAN		ロジックIC TSSOP		
* IC515	X2590A00	IC	W981616BH-7 SDRAM		メモリIC 16M		
* IC516	X3567A00	IC	YSS930-SZ		IC		
IC517	XV077B00	IC	MSM514260E-60JS		メモリIC 4M	07	
* IC518	X3567A00	IC	YSS930-SZ		IC		
* IC519	X2096A00	IC	AK5380-VT		IC	06	
IC520	X3505A00	IC	NJM2068MD-TE2		アンプIC SOP	02	
IC521	X0661A00	IC	AK4382AVT		IC	07	
* IC522	X0293A00	IC	74VHC157MTCX		ロジックIC TSSOP	02	
IC523	X0661A00	IC	AK4382AVT		IC	07	
* IC524	X4289A00	IC	AK4358VQ		IC		
IC525	X3505A00	IC	NJM2068MD-TE2		アンプIC SOP	02	
IC526	X3505A00	IC	NJM2068MD-TE2		アンプIC SOP	02	
IC527	X3505A00	IC	NJM2068MD-TE2		アンプIC SOP	02	
IC528	X3505A00	IC	NJM2068MD-TE2		アンプIC SOP	02	
IC529	X3505A00	IC	NJM2068MD-TE2		アンプIC SOP	02	
IC530	X3505A00	IC	NJM2068MD-TE2		アンプIC SOP	02	
* IC531	X3833A00	IC	SN74AHC1G08DCKR		ロジックIC SOP	01	
* IC532	X3833A00	IC	SN74AHC1G08DCKR		ロジックIC SOP	01	
* IC533	XJ598A00	IC	NJM78L05UA 5V		電源IC フラット	02	
* PJ501	WB824400	JACK. PIN	YKC21-4228N	2400	J	ピンジャック 3P	
* PJ501	WB491400	JACK. PIN	MSD-253V-29 NI	2400	UCRTKABGL	ピンジャック 3P	
* PJ501	WB491400	JACK. PIN	MSD-253V-29 NI	1400, 5690		ピンジャック 3P	
Q501	VV655300	TR. DGT	DTA144EKA			デジタルトランジスタ	01
Q503	VV655300	TR. DGT	DTA144EKA			デジタルトランジスタ	01
Q504	VV655300	TR. DGT	DTA144EKA			デジタルトランジスタ	01
Q505	VV655300	TR. DGT	DTA144EKA			デジタルトランジスタ	01
Q506	VV655300	TR. DGT	DTA144EKA			デジタルトランジスタ	01
Q507	VV655300	TR. DGT	DTA144EKA			デジタルトランジスタ	01
Q508	VV655300	TR. DGT	DTA144EKA			デジタルトランジスタ	01
Q509	VV655300	TR. DGT	DTA144EKA			デジタルトランジスタ	01
Q510	VV655300	TR. DGT	DTA144EKA			デジタルトランジスタ	01
Q511	VV655300	TR. DGT	DTA144EKA			デジタルトランジスタ	01
Q512	VV655300	TR. DGT	DTA144EKA			デジタルトランジスタ	01
Q513	VD303700	TR	2SC3326 A, B			トランジスタ	01
Q514	VD303700	TR	2SC3326 A, B			トランジスタ	01
Q515	VD303700	TR	2SC3326 A, B			トランジスタ	01
Q516	VD303700	TR	2SC3326 A, B			トランジスタ	01

* New Parts * 新規部品(マーク#の部品は、基板に含まれません)

P.C.B. DSP & P.C.B. FUNCTION

Schm Ref.	PART NO.	Description	Remarks	Markets	部 品 名	Rank
Q517	VD303700	TR	2SC3326 A,B		トランジスタ	01
Q518	VD303700	TR	2SC3326 A,B		トランジスタ	01
Q519	VD303700	TR	2SC3326 A,B		トランジスタ	01
Q520	VD303700	TR	2SC3326 A,B		トランジスタ	01
Q521	VD303700	TR	2SC3326 A,B		トランジスタ	01
Q522	VD303700	TR	2SC3326 A,B		トランジスタ	01
Q523	VD303700	TR	2SC3326 A,B		トランジスタ	01
Q524	VD303700	TR	2SC3326 A,B		トランジスタ	01
R516	HV753100	R. CAR. FP	1 Ω 1/4W		不燃化カーボン抵抗	01
R517	HV753100	R. CAR. FP	1 Ω 1/4W		不燃化カーボン抵抗	01
R527	HV753100	R. CAR. FP	1 Ω 1/4W		不燃化カーボン抵抗	01
R528	HV753100	R. CAR. FP	1 Ω 1/4W		不燃化カーボン抵抗	01
R535	HV753100	R. CAR. FP	1 Ω 1/4W		不燃化カーボン抵抗	01
R556	HV753100	R. CAR. FP	1 Ω 1/4W		不燃化カーボン抵抗	01
R562	HV753100	R. CAR. FP	1 Ω 1/4W		不燃化カーボン抵抗	01
R673	VP939600	R. MTL. FLM	2.2 Ω 1W		金属被膜抵抗	
R674	VP939600	R. MTL. FLM	2.2 Ω 1W		金属被膜抵抗	
R686	HV753470	R. CAR. FP	4.7 Ω 1/4W		不燃化カーボン抵抗	01
* U501	WB001600	CN. PHOT. SN	1P GP1FA553TZ		光ファイバリンク	
* U502	WB001600	CN. PHOT. SN	1P GP1FA553TZ		光ファイバリンク	
* U503	WB001400	CN. PHOT. SN	1P GP1FA553RZ		光ファイバ受信器	
* U504	WB001400	CN. PHOT. SN	1P GP1FA553RZ		光ファイバ受信器	
* U505	WB001400	CN. PHOT. SN	1P GP1FA553RZ		光ファイバ受信器	
* U506	WB001400	CN. PHOT. SN	1P GP1FA553RZ		光ファイバ受信器	
XL501	V6931900	RESONATOR	24.576MHz DS0751SV		水晶発振器	05
* WB725200	P. C. B.	FUNCTION	2400	J	P C B ファンクション	
* WB725300	P. C. B.	FUNCTION	2400	UC	P C B ファンクション	
* WB725400	P. C. B.	FUNCTION	2400	RL	P C B ファンクション	
* WB725500	P. C. B.	FUNCTION	2400	TKBG	P C B ファンクション	
* WB725600	P. C. B.	FUNCTION	2400	A	P C B ファンクション	
* WB725900	P. C. B.	FUNCTION	1400, 5690	J	P C B ファンクション	
* WB726000	P. C. B.	FUNCTION	1400, 5690	UC	P C B ファンクション	
* WB726100	P. C. B.	FUNCTION	1400, 5690	RL	P C B ファンクション	
* WB726200	P. C. B.	FUNCTION	1400, 5690	TKBG	P C B ファンクション	
* WB726300	P. C. B.	FUNCTION	1400, 5690	A	P C B ファンクション	
* CB501	V7826100	CN	11P TE TUC SERIES		コネクタープラグ	
* CB502	V7826100	CN	11P TE TUC SERIES		コネクタープラグ	
* CB503	V7828400	SOCKET	17P SE TUC SERIES		コネクタースOCKET	
* CB504	VP573800	CN. BS. PIN	18P		F F C コネクタ	
* CB505	VQ044600	CN. BS. PIN	13P		F F C コネクタ	
* CB506	VM973500	CN. BS. PIN	17P		F F C コネクタ	
* CB507	VQ047400	CN. BS. PIN	19P		F F C コネクタ	
* CB508	V7828500	SOCKET	18P TE TUC SERIES		コネクタースOCKET	
* CB509	VQ045100	CN. BS. PIN	21P		F F C コネクタ	
* CB510	VN066500	CN. BS. PIN	12P		コネクタ	01
* CB511	LB919060	CN. BS. PIN	6P		ベース付ポスト	01
* CB512	VM929900	CN. BS. PIN	15P		F P C コネクタ	01
* CB513	VM923600	CN. BS. PIN	13P		F F C コネクタ	01
* C501	UR267470	C. EL	47uF 50V		ケミコン	
* C502	UR267470	C. EL	47uF 50V		ケミコン	

* New Parts * 新規部品(マーク#の部品は、基板に含まれません)

RX-V2400/RX-V2400RDS/DSP-AX2400
 RX-V1400/RX-V1400RDS/HTR-5690/DSP-AX1400

P.C.B. FUNCTION

Schm Ref.	PART NO.	Description	Remarks	Markets	部 品 名	Rank
* C504	UR237100	C. EL	10uF 16V		ケミコン	
* C510	UR267470	C. EL	47uF 50V		ケミコン	
* C512	UR248100	C. EL	100uF 25V		ケミコン	
* C513	UR266220	C. EL	2. 2uF 50V	UCA	ケミコン	
C517	UA652220	C. MYLAR	220pF 50V	TKABG	マイラーコン	01
C518	UA652220	C. MYLAR	220pF 50V	TKABG	マイラーコン	01
C519	UA652470	C. MYLAR	470pF 50V		マイラーコン	01
C520	UA652470	C. MYLAR	470pF 50V		マイラーコン	01
C521	UA652100	C. MYLAR	100pF 50V		マイラーコン	01
C522	UA652100	C. MYLAR	100pF 50V		マイラーコン	01
C523	UA652470	C. MYLAR	470pF 50V		マイラーコン	01
C524	UA652470	C. MYLAR	470pF 50V		マイラーコン	01
C525	UA652100	C. MYLAR	100pF 50V		マイラーコン	01
C526	UA652100	C. MYLAR	100pF 50V		マイラーコン	01
C527	VQ462600	C. MYLAR	220pF 50V		マイラーコン	01
C528	VQ462600	C. MYLAR	220pF 50V		マイラーコン	01
C529	UA652220	C. MYLAR	220pF 50V		マイラーコン	01
C530	UA652220	C. MYLAR	220pF 50V		マイラーコン	01
C531	UA652470	C. MYLAR	470pF 50V		マイラーコン	01
C532	UA652470	C. MYLAR	470pF 50V		マイラーコン	01
* C533	UR266220	C. EL	2. 2uF 50V	UCA	ケミコン	
C534	UA652470	C. MYLAR	470pF 50V		マイラーコン	01
C535	UA652470	C. MYLAR	470pF 50V		マイラーコン	01
C536	UA652470	C. MYLAR	470pF 50V		マイラーコン	01
C537	UA652470	C. MYLAR	470pF 50V		マイラーコン	01
* C538	UR266220	C. EL	2. 2uF 50V		ケミコン	
* C539	UR218220	C. EL	220uF 6. 3V		ケミコン	
* C540	UR218220	C. EL	220uF 6. 3V		ケミコン	
C541	UA654390	C. MYLAR	0. 039uF 50V		マイラーコン	01
C542	UA654390	C. MYLAR	0. 039uF 50V		マイラーコン	01
C543	UA654110	C. MYLAR	0. 011uF 50V		マイラーコン	01
C544	UA654110	C. MYLAR	0. 011uF 50V		マイラーコン	01
* C545	UR237220	C. EL	22uF 16V		ケミコン	
* C546	UR237220	C. EL	22uF 16V		ケミコン	
* C547	UR237220	C. EL	22uF 16V		ケミコン	
* C548	UR237220	C. EL	22uF 16V		ケミコン	
* C549	UR237100	C. EL	10uF 16V		ケミコン	
* C550	UR237100	C. EL	10uF 16V		ケミコン	
* C551	UR237100	C. EL	10uF 16V		ケミコン	
* C552	UR237100	C. EL	10uF 16V		ケミコン	
* C553	UR237100	C. EL	10uF 16V		ケミコン	
C554	UA653100	C. MYLAR	1000pF 50V		マイラーコン	03
C555	UA653100	C. MYLAR	1000pF 50V		マイラーコン	03
* C556	UR267470	C. EL	47uF 50V		ケミコン	
* C557	UR267470	C. EL	47uF 50V		ケミコン	
* C558	UR237470	C. EL	47uF 16V		ケミコン	
* C559	UR237470	C. EL	47uF 16V		ケミコン	
* C560	UR267470	C. EL	47uF 50V	2400	ケミコン	
* C560	UR267470	C. EL	47uF 50V	1400	UCA	ケミコン
* C561	UR237100	C. EL	10uF 16V		ケミコン	
* C562	UR237100	C. EL	10uF 16V		UCA	ケミコン
* C563	UR265470	C. EL	0. 47uF 50V		ケミコン	
* C564	UR237100	C. EL	10uF 16V		ケミコン	

* New Parts * 新規部品(マーク#の部品は、基板に含まれません)

RX-V2400/RX-V2400RDS/DSP-AX2400
RX-V1400/RX-V1400RDS/HTR-5690/DSP-AX1400

P.C.B. FUNCTION

Schm Ref.	PART NO.	Description	Remarks	Markets	部 品 名	Rank	
*	C565	UR267470 C.EL	47uF 50V	2400		ケミコン	
*	C565	UR267470 C.EL	47uF 50V	1400	UCA	ケミコン	
*	C566	UR237100 C.EL	10uF 16V		UCA	ケミコン	
*	C567	UR267470 C.EL	47uF 50V			ケミコン	
*	C568	UR237470 C.EL	47uF 16V		UCA	ケミコン	
*	C569	UR266470 C.EL	4.7uF 50V			ケミコン	
*	C570	UR266470 C.EL	4.7uF 50V			ケミコン	
*	C571	UR237100 C.EL	10uF 16V		UCA	ケミコン	
*	C572	UR237100 C.EL	10uF 16V		UCA	ケミコン	
*	C573	UR237100 C.EL	10uF 16V	2400	UCA	ケミコン	
*	C574	UR237100 C.EL	10uF 16V	2400	UCA	ケミコン	
*	C575	UT952100 C.PP	100pF 100V			P Pコン	
*	C576	UR239100 C.EL	1000uF 16V			ケミコン	
*	C577	UR237470 C.EL	47uF 16V			ケミコン	
*	C578	UT952100 C.PP	100pF 100V			P Pコン	
*	C579	UR237100 C.EL	10uF 16V		UCA	ケミコン	
*	C580	VT180400 C.EL	4700uF 5.5V			バックアップケミコン	02
*	C581	UR237100 C.EL	10uF 16V		UCA	ケミコン	
*	C582	UR237100 C.EL	10uF 16V	2400	UCA	ケミコン	
*	C583	UR237100 C.EL	10uF 16V	2400	UCA	ケミコン	
*	C584	UR266470 C.EL	4.7uF 50V			ケミコン	
*	C585	UR266470 C.EL	4.7uF 50V			ケミコン	
*	C586	UR219100 C.EL	1000uF 6.3V			ケミコン	
*	C587	UR219100 C.EL	1000uF 6.3V			ケミコン	
*	C588	UR267470 C.EL	47uF 50V			ケミコン	
*	C589	UR237100 C.EL	10uF 16V			ケミコン	
*	C590	UR237100 C.EL	10uF 16V			ケミコン	
*	C591	UR237470 C.EL	47uF 16V			ケミコン	
*	C592	UR237100 C.EL	10uF 16V			ケミコン	
*	C593	UR248100 C.EL	100uF 25V			ケミコン	
*	C594	UR237100 C.EL	10uF 16V			ケミコン	
*	C595	UR266220 C.EL	2.2uF 50V			ケミコン	
*	C596	UR266220 C.EL	2.2uF 50V			ケミコン	
*	C597	UR266220 C.EL	2.2uF 50V			ケミコン	
*	C598	UR266220 C.EL	2.2uF 50V			ケミコン	
*	C600	UR266220 C.EL	2.2uF 50V			ケミコン	
*	C601	UR237100 C.EL	10uF 16V			ケミコン	
*	C602	UR237100 C.EL	10uF 16V			ケミコン	
*	C603	UR237470 C.EL	47uF 16V		UCA	ケミコン	
*	C604	UR237470 C.EL	47uF 16V		UCA	ケミコン	
*	C605	UR237470 C.EL	47uF 16V	2400	UCA	ケミコン	
*	C606	UR237470 C.EL	47uF 16V	2400	UCA	ケミコン	
*	C607	UR267470 C.EL	47uF 50V			ケミコン	
*	C609	UR237470 C.EL	47uF 16V			ケミコン	
*	C610	UR237100 C.EL	10uF 16V		UCA	ケミコン	
*	C613	UR237100 C.EL	10uF 16V	2400	UCA	ケミコン	
*	C616	UR237470 C.EL	47uF 16V		UCA	ケミコン	
*	C617	UR267470 C.EL	47uF 50V			ケミコン	
*	C618	UR237100 C.EL	10uF 16V			ケミコン	
*	C619	UR237100 C.EL	10uF 16V			ケミコン	
*	C624	UR237100 C.EL	10uF 16V		UCA	ケミコン	
*	C625	UR237100 C.EL	10uF 16V		UCA	ケミコン	
*	C626	UR237100 C.EL	10uF 16V		UCA	ケミコン	

* New Parts * 新規部品(マーク#の部品は、基板に含まれません)

RX-V2400/RX-V2400RDS/DSP-AX2400
 RX-V1400/RX-V1400RDS/HTR-5690/DSP-AX1400

P.C.B. FUNCTION

Schm Ref.	PART NO.	Description	Remarks	Markets	部 品 名	Rank
* C627	UR237100	C. EL 10uF 16V		UCA	ケミコン	
* C628	UR237100	C. EL 10uF 16V			ケミコン	
* C629	UR237100	C. EL 10uF 16V			ケミコン	
* C630	UR237100	C. EL 10uF 16V			ケミコン	
* C631	UR237100	C. EL 10uF 16V			ケミコン	
* C632	UR237100	C. EL 10uF 16V			ケミコン	
* C635	UR237100	C. EL 10uF 16V			ケミコン	
* C636	UT952100	C. PP 100pF 100V			PPコン	
* C637	UT952100	C. PP 100pF 100V			PPコン	
* C638	UT952100	C. PP 100pF 100V			PPコン	
* C640	UT952100	C. PP 100pF 100V			PPコン	
* C651	UR267470	C. EL 47uF 50V			ケミコン	
* C652	UR267470	C. EL 47uF 50V			ケミコン	
* C653	UR266330	C. EL 3.3uF 50V			ケミコン	
* C654	UR266330	C. EL 3.3uF 50V			ケミコン	
* C655	UR266330	C. EL 3.3uF 50V			ケミコン	
* C658	UR266330	C. EL 3.3uF 50V			ケミコン	
* C662	UR266470	C. EL 4.7uF 50V			ケミコン	
* C663	UR266470	C. EL 4.7uF 50V			ケミコン	
* C666	UR237100	C. EL 10uF 16V			ケミコン	
* C667	UR237100	C. EL 10uF 16V			ケミコン	
* C668	UR237100	C. EL 10uF 16V			ケミコン	
* C671	UR237100	C. EL 10uF 16V			ケミコン	
* C672	UR237100	C. EL 10uF 16V			ケミコン	
* C676	UR266470	C. EL 4.7uF 50V			ケミコン	
* C677	UR266470	C. EL 4.7uF 50V			ケミコン	
* C678	UR237100	C. EL 10uF 16V			ケミコン	
* C679	UR237100	C. EL 10uF 16V			ケミコン	
* C681	UR237330	C. EL 33uF 16V			ケミコン	
* C682	UR237100	C. EL 10uF 16V			ケミコン	
* C683	UR237330	C. EL 33uF 16V			ケミコン	
* C684	UR237330	C. EL 33uF 16V			ケミコン	
* C685	UR267470	C. EL 47uF 50V			ケミコン	
* C686	UR267100	C. EL 10uF 50V			ケミコン	
* C689	UR237100	C. EL 10uF 16V			ケミコン	
* C690	UR237330	C. EL 33uF 16V			ケミコン	
* C695	UR237470	C. EL 47uF 16V			ケミコン	
* C696	UR237470	C. EL 47uF 16V			ケミコン	
* C697	UR237330	C. EL 33uF 16V			ケミコン	
* C698	UR237100	C. EL 10uF 16V			ケミコン	
* C699	UR237100	C. EL 10uF 16V			ケミコン	
* C700	UR237330	C. EL 33uF 16V			ケミコン	
* C701	UR237100	C. EL 10uF 16V			ケミコン	
* C702	UR237100	C. EL 10uF 16V			ケミコン	
* C703	UR237330	C. EL 33uF 16V			ケミコン	
* C706	UR238100	C. EL 100uF 16V			ケミコン	
* C707	UR238100	C. EL 100uF 16V			ケミコン	
* C708	UR238100	C. EL 100uF 16V			ケミコン	
* C709	UR238100	C. EL 100uF 16V			ケミコン	
* C710	UR238100	C. EL 100uF 16V			ケミコン	
* C711	UR238100	C. EL 100uF 16V			ケミコン	
C714	V9607800	C. PP 47pF 100V			PPコン	
C715	V9607800	C. PP 47pF 100V			PPコン	

* New Parts * 新規部品(マーク#の部品は、基板に含まれません)

P.C.B. FUNCTION

Schm Ref.	PART NO.	Description	Remarks	Markets	部 品 名	Rank	
*	C716	UR237220 C. EL	22uF 16V			ケミコン	
*	C717	UR237220 C. EL	22uF 16V			ケミコン	
*	C718	UR267470 C. EL	47uF 50V			ケミコン	
*	C719	UR267470 C. EL	47uF 50V			ケミコン	
*	C721	UR237220 C. EL	22uF 16V			ケミコン	
*	C722	UR237220 C. EL	22uF 16V			ケミコン	
*	C726	UR266220 C. EL	2.2uF 50V			ケミコン	
	D501	VU992600 D1ODE.ZENR	MA8051-M 5.1V			ツェナーダイオード	
	D502	VU993000 D1ODE.ZENR	MA8056-M 5.6V			ツェナーダイオード	
	D503	VT332900 D1ODE	1SS355			ダイオード	
	D504	VT332900 D1ODE	1SS355			ダイオード	
	D505	VT332900 D1ODE	1SS355			ダイオード	
	D506	VU993700 D1ODE.ZENR	MA8068-L 6.6V			ツェナーダイオード	
	D507	VU993700 D1ODE.ZENR	MA8068-L 6.6V			ツェナーダイオード	
	D509	VT332900 D1ODE	1SS355			ダイオード	
	D510	VV833200 D1ODE	1SS380			ダイオード	
	D511	VV833200 D1ODE	1SS380			ダイオード	
	D512	VT332900 D1ODE	1SS355			ダイオード	
	D513	VU992600 D1ODE.ZENR	MA8051-M 5.1V			ツェナーダイオード	
	D531	VT332900 D1ODE	1SS355			ダイオード	
	D532	VT332900 D1ODE	1SS355			ダイオード	
	D535	VU992600 D1ODE.ZENR	MA8051-M 5.1V			ツェナーダイオード	
	D536	VT332900 D1ODE	1SS355			ダイオード	
	D537	VT332900 D1ODE	1SS355			ダイオード	
	IC501	X3505A00 IC	NJM2068MD-TE2			アンプ IC SOP	
	IC502	XP895A00 IC	LC78212			IC	
	IC503	XP894A00 IC	LC78211			IC	
	IC504	XP896A00 IC	LC78213			IC	
	IC505	X2896A00 IC	M62320FP I/O PORT			CPU/周辺 IC	
	IC506	X3547A00 IC	BD3841FS	2400		IC	
	IC506	X3547A00 IC	BD3841FS	1400	UCA	IC	
	IC507	X3505A00 IC	NJM2068MD-TE2			アンプ IC SOP	
*	IC508	X4536A00 IC	SN74AHCT126PW	2400		ロジック IC	
	IC509	XP895A00 IC	LC78212			IC	
	IC510	XP896A00 IC	LC78213			IC	
	IC511	X3505A00 IC	NJM2068MD-TE2			アンプ IC SOP	
*	IC512	X4678A00 IC.EPROM	MBM29F800BA	unwritten		EPROM	
	IC513	X3505A00 IC	NJM2068MD-TE2			アンプ IC SOP	
	IC514	X3505A00 IC	NJM2068MD-TE2			アンプ IC SOP	
	IC515	X3505A00 IC	NJM2068MD-TE2			アンプ IC SOP	
	IC516	XZ545A00 IC	YAC520-EE2			IC	
*	IC517	X4325A00 IC	YAC523-EVR2			IC, アナログ	
	IC518	X3505A00 IC	NJM2068MD-TE2			アンプ IC SOP	
	IC519	XZ545A00 IC	YAC520-EE2			IC	
	IC520	X2965A00 IC.CPU	M30805SGP			CPU/周辺 IC	
	IC521	XF291A00 IC	uPC4570G2			IC	03
	IC522	XA507A00 IC	AN78N05			IC	02
	IC523	XF291A00 IC	uPC4570G2			IC	03
	IC524	X3505A00 IC	NJM2068MD-TE2			アンプ IC SOP	
	IC525	X3505A00 IC	NJM2068MD-TE2			アンプ IC SOP	
	IC526	XZ545A00 IC	YAC520-EE2		UCA	IC	
	IC527	XF291A00 IC	uPC4570G2		UCA	IC	03
	IC528	XF291A00 IC	uPC4570G2			IC	03

* New Parts * 新規部品(マーク#の部品は、基板に含まれません)

RX-V2400/RX-V2400RDS/DSP-AX2400
 RX-V1400/RX-V1400RDS/HTR-5690/DSP-AX1400

P.C.B. FUNCTION

Schm Ref.	PART NO.	Description	Remarks	Markets	部 品 名	Rank
IC529	XF291A00	IC	uPC4570G2		I C	03
IC530	XF291A00	IC	uPC4570G2	2400	UCA	03
IC531	XZ545A00	IC	YAC520-EE2	2400	UCA	
PJ501	V9796700	JACK. PIN	MSP-244V1-03 GILT	2400	J	ピンジャック 4 P
PJ501	V7046700	JACK. PIN	MSP-244V1-01NI	2400	UCRTKABGL	ピンジャック 4 P
PJ501	V7046700	JACK. PIN	MSP-244V1-01NI	1400		ピンジャック 4 P
PJ502	V9796700	JACK. PIN	MSP-244V1-03 GILT	2400	J	ピンジャック 4 P
PJ502	V7046700	JACK. PIN	MSP-244V1-01NI	2400	UCRTKABGL	ピンジャック 4 P
PJ502	V7046700	JACK. PIN	MSP-244V1-01NI	1400		ピンジャック 4 P
PJ503	V9796800	JACK. PIN	MSP-244V6-03 GILT	2400	J	ピンジャック 4 P
PJ503	V8041300	JACK. PIN	4P	2400	UCRTKABGL	ピンジャック 4 P アース付
PJ503	V8041300	JACK. PIN	4P	1400		ピンジャック 4 P アース付
PJ504	V9796900	JACK. PIN	MSP-246V1-32 GILT	2400	J	ピンジャック 6 P
PJ504	V9394300	JACK. PIN	MSP-246V1-18NI	2400	UCRTKABGL	ピンジャック 6 P
PJ504	V9394300	JACK. PIN	MSP-246V1-18NI	1400		ピンジャック 6 P
0501	VV556500	TR	2SA1037K Q, R, S	2400		トランジスタ
0502	VD303700	TR	2SC3326 A, B			トランジスタ
0503	VD303700	TR	2SC3326 A, B		UCA	トランジスタ
0504	VV556500	TR	2SA1037K Q, R, S		UCA	トランジスタ
0505	VP872700	TR	2SC4488 S, T			トランジスタ
0506	VP872700	TR	2SC4488 S, T		UCA	トランジスタ
0507	VV556500	TR	2SA1037K Q, R, S		UCA	トランジスタ
0508	VD303700	TR	2SC3326 A, B		UCA	トランジスタ
0509	VP872700	TR	2SC4488 S, T			トランジスタ
0510	VD303700	TR	2SC3326 A, B			トランジスタ
0511	VV556500	TR	2SA1037K Q, R, S			トランジスタ
0512	VV655700	TR. DGT	DTC144EKA			デジタルトランジスタ
0513	VD303700	TR	2SC3326 A, B			トランジスタ
0514	VD303700	TR	2SC3326 A, B			トランジスタ
0515	VD303700	TR	2SC3326 A, B			トランジスタ
0516	VP872600	TR	2SA1708 S, T			トランジスタ
0517	VD303700	TR	2SC3326 A, B		UCA	トランジスタ
0518	VD303700	TR	2SC3326 A, B		UCA	トランジスタ
0519	VD303700	TR	2SC3326 A, B		UCA	トランジスタ
0520	VD303700	TR	2SC3326 A, B			トランジスタ
0521	VD303700	TR	2SC3326 A, B			トランジスタ
0522	VD303700	TR	2SC3326 A, B			トランジスタ
0523	VD303700	TR	2SC3326 A, B			トランジスタ
0525	VD303700	TR	2SC3326 A, B			トランジスタ
0526	VD303700	TR	2SC3326 A, B		UCA	トランジスタ
0527	VV556500	TR	2SA1037K Q, R, S			トランジスタ
0528	VV556500	TR	2SA1037K Q, R, S			トランジスタ
0529	VV556500	TR	2SA1037K Q, R, S			トランジスタ
0530	VV556500	TR	2SA1037K Q, R, S			トランジスタ
0532	VV556500	TR	2SA1037K Q, R, S			トランジスタ
0533	VD303700	TR	2SC3326 A, B		UCA	トランジスタ
0534	VD303700	TR	2SC3326 A, B		UCA	トランジスタ
0535	VD303700	TR	2SC3326 A, B		UCA	トランジスタ
0536	VD303700	TR	2SC3326 A, B		UCA	トランジスタ
0537	VD303700	TR	2SC3326 A, B			トランジスタ
0538	VD303700	TR	2SC3326 A, B			トランジスタ
0539	VD303700	TR	2SC3326 A, B			トランジスタ
0540	VD303700	TR	2SC3326 A, B			トランジスタ

* New Parts * 新規部品(マーク#の部品は、基板に含まれません)

P.C.B. FUNCTION & P.C.B. OPERATION

Schm Ref.	PART NO.	Description	Remarks	Markets	部 品 名	Rank
Q541	VD303700	TR	2SC3326 A,B		トランジスタ	01
Q542	VD303700	TR	2SC3326 A,B		トランジスタ	01
Q543	VD303700	TR	2SC3326 A,B		トランジスタ	01
Q544	VD303700	TR	2SC3326 A,B		トランジスタ	01
Q545	VD303700	TR	2SC3326 A,B		トランジスタ	01
Q546	VD303700	TR	2SC3326 A,B		トランジスタ	01
Q547	VD303700	TR	2SC3326 A,B		トランジスタ	01
Q548	VD303700	TR	2SC3326 A,B		トランジスタ	01
Q549	VD303700	TR	2SC3326 A,B		トランジスタ	01
Q550	VD303700	TR	2SC3326 A,B		トランジスタ	01
Q551	VD303700	TR	2SC3326 A,B		トランジスタ	01
Q552	VD303700	TR	2SC3326 A,B		トランジスタ	01
Q553	VV556500	TR	2SA1037K Q, R, S		トランジスタ	
Q554	VD303700	TR	2SC3326 A,B		トランジスタ	01
Q555	VD303700	TR	2SC3326 A,B		トランジスタ	01
Q556	VD303700	TR	2SC3326 A,B		トランジスタ	01
Q557	VD303700	TR	2SC3326 A,B		トランジスタ	01
Q558	VD303700	TR	2SC3326 A,B		トランジスタ	01
Q559	VD303700	TR	2SC3326 A,B		トランジスタ	01
Q560	VD303700	TR	2SC3326 A,B		トランジスタ	01
Q561	VD303700	TR	2SC3326 A,B		トランジスタ	01
Q562	VD303700	TR	2SC3326 A,B		トランジスタ	01
R513	HV754100	R. CAR. FP	10Ω 1/4W		不燃化カーボン抵抗	01
R583	HV755100	R. CAR. FP	100Ω 1/4W		不燃化カーボン抵抗	01
R584	HV755100	R. CAR. FP	100Ω 1/4W		不燃化カーボン抵抗	01
R668	HV753470	R. CAR. FP	4.7Ω 1/4W	UCA	不燃化カーボン抵抗	01
R792	VP939700	R. MTL. FLM	4.7Ω 1W		金属被膜抵抗	01
R793	VP939700	R. MTL. FLM	4.7Ω 1W		金属被膜抵抗	01
R813	HV753470	R. CAR. FP	4.7Ω 1/4W		不燃化カーボン抵抗	01
R839	VP939700	R. MTL. FLM	4.7Ω 1W		金属被膜抵抗	01
R840	VP939700	R. MTL. FLM	4.7Ω 1W		金属被膜抵抗	01
ST502	V4040500	SCR. TERM	M3		スクリュー/ターミナル	
XL511	WA674700	RSNR. CE	16MHz CSTLS16M0X51		セラミック振動子	
*	WB726600	P. C. B.	OPERATION	2400	JRTKL	P C Bオペレーション
*	WB726700	P. C. B.	OPERATION	2400	UCA	P C Bオペレーション
*	WB726800	P. C. B.	OPERATION	2400	BG	P C Bオペレーション
*	WB726900	P. C. B.	OPERATION	1400, 5690	JRTKL	P C Bオペレーション
*	WB727000	P. C. B.	OPERATION	1400, 5690	UCA	P C Bオペレーション
*	WB727100	P. C. B.	OPERATION	1400, 5690	BG	P C Bオペレーション
CB851	VQ047200	CN. BS. PIN	9P		F F Cコネクタ	
CB852	VM929900	CN. BS. PIN	15P		F P Cコネクタ	01
CB859	VQ045100	CN. BS. PIN	21P		F F Cコネクタ	
CB861	VB389900	CN. BS. PIN	3P		ベースピン	01
CB862	VB390000	CN. BS. PIN	4P		ベースピン	01
CB863	VQ047100	CN. BS. PIN	7P		F F Cコネクタ	
CB864	VM923600	CN. BS. PIN	13P		F F Cコネクタ	01
* C859	UR218100	C. EL	100uF 6.3V		ケミコン	
* C876	UR218330	C. EL	330uF 6.3V		ケミコン	
C900	UM397220	C. EL	22uF 25V		ケミコン	01
C901	UM397220	C. EL	22uF 25V		ケミコン	01

* New Parts * 新規部品(マーク#の部品は、基板に含まれません)

RX-V2400/RX-V2400RDS/DSP-AX2400
RX-V1400/RX-V1400RDS/HTR-5690/DSP-AX1400

P.C.B. OPERATION

Schm Ref.	PART NO.	Description	Remarks	Markets	部 品 名	Rank
C903	UM397100	C. EL	10uF 16V		ケミコン	01
C904	UA653100	C. MYLAR	1000pF 50V		マイラーコン	03
C906	UA653100	C. MYLAR	1000pF 50V		マイラーコン	03
C907	UM397100	C. EL	10uF 16V		ケミコン	01
C908	UM397100	C. EL	10uF 16V		ケミコン	01
C911	UM387470	C. EL	47uF 16V		ケミコン	01
* C912	UR237470	C. EL	47uF 16V		ケミコン	
C916	UA652100	C. MYLAR	100pF 50V		マイラーコン	01
C917	UA652100	C. MYLAR	100pF 50V		マイラーコン	01
C919	UA652100	C. MYLAR	100pF 50V		マイラーコン	01
C920	UA652100	C. MYLAR	100pF 50V		マイラーコン	01
C921	UM397220	C. EL	22uF 25V		ケミコン	01
* C924	UR237100	C. EL	10uF 16V		ケミコン	
* C925	UR237100	C. EL	10uF 16V		ケミコン	
* C930	UM397100	C. EL	10uF 16V		ケミコン	01
* C931	WB553000	C. EL	1000uF 16V		ケミコン V K	
* C932	WB553000	C. EL	1000uF 16V		ケミコン V K	
D851	VU171500	D10DE. ZENR	UDZ 3.6BTE-17 3.6V		ツェナーダイオード	01
D852	V2598200	LED	SIR-505ST	2400	U C A L E D	
D853	V2598200	LED	SIR-505ST		U C A L E D	
D854	VU171500	D10DE. ZENR	UDZ 3.6BTE-17 3.6V		ツェナーダイオード	01
D860	VU171900	D10DE. ZENR	UDZ5.1B 5.1V		ツェナーダイオード	01
D861	VV307700	D10DE	1N4002S		ダイオード	
D862	VV307700	D10DE	1N4002S		ダイオード	
* IC851	X2874A00	IC	M66003-0101FP FLD		アンプ I C	
* IC853	X2080A00	IC	SN74AHCT1G32DCKR		ロジック I C	
IC854	XP844A00	IC	NJM4556AL		I C	
IC855	XF291A00	IC	uPC4570G2		I C	03
JK858	V9408200	JACK. PHONE	MSJ-064-05B GR		ホーンジャック	
JK859	V2589500	CN	1P		ミニ D I N コネクタ	
JK860	VJ726800	JACK. MINI	1P		モノラルミニジャック	01
PJ854	V6222800	JACK. P I N	3P		ピンジャック 3 P	
Q851	VV556400	TR	2SC2412K Q, R, S		トランジスタ	
Q852	VV556400	TR	2SC2412K Q, R, S		トランジスタ	
Q853	VV556400	TR	2SC2412K Q, R, S		トランジスタ	
Q854	VV556400	TR	2SC2412K Q, R, S		トランジスタ	
Q855	VD303700	TR	2SC3326 A, B		トランジスタ	01
Q856	VD303700	TR	2SC3326 A, B		トランジスタ	01
Q857	VV556400	TR	2SC2412K Q, R, S		トランジスタ	
Q858	VV556400	TR	2SC2412K Q, R, S		トランジスタ	
Q859	VV556400	TR	2SC2412K Q, R, S		トランジスタ	
Q864	VD303700	TR	2SC3326 A, B		トランジスタ	01
Q865	VD303700	TR	2SC3326 A, B		トランジスタ	01
* R851	HL005100	R. MTL. OXD	100 Ω 1/2W		酸化金属被膜抵抗	
* R852	HL005100	R. MTL. OXD	100 Ω 1/2W		酸化金属被膜抵抗	
R955	HL005220	R. MTL. OXD	220 Ω 1/2W		酸化金属被膜抵抗	
R956	HL005220	R. MTL. OXD	220 Ω 1/2W		酸化金属被膜抵抗	
ST853	V4040500	SCR. TERM	M3		スクリュー/ターミナル	
ST854	V4040500	SCR. TERM	M3		スクリュー/ターミナル	
ST855	V4040500	SCR. TERM	M3		スクリュー/ターミナル	
ST856	V4040500	SCR. TERM	M3		スクリュー/ターミナル	
SW851	V4757100	SW. TACT	EVQ11A		タクト S W	
SW852	V4757100	SW. TACT	EVQ11A		タクト S W	

* New Parts * 新規部品(マーク#の部品は、基板に含まれません)

P.C.B. OPERATION & P.C.B. MAIN

Schm Ref.	PART NO.	Description	Remarks	Markets	部 品 名	Rank	
SW853	V4757100	SW. TACT	EVO11A		タクトSW		
SW854	V9281300	SW. RT. ENC	EVEKD2F3024B		ロータリーエンコーダ		
SW855	V9281200	SW. RT. ENC	EVEGC1F2512B		ロータリーエンコーダ		
SW856	V4757100	SW. TACT	EVO11A		タクトSW		
SW857	V4757100	SW. TACT	EVO11A		タクトSW		
SW858	V4757100	SW. TACT	EVO11A		タクトSW		
SW859	V4757100	SW. TACT	EVO11A		タクトSW		
SW860	V4757100	SW. TACT	EVO11A		タクトSW		
SW861	V4757100	SW. TACT	EVO11A		タクトSW		
SW862	V4757100	SW. TACT	EVO11A		タクトSW		
SW863	V4757100	SW. TACT	EVO11A		タクトSW		
SW864	V4757100	SW. TACT	EVO11A		タクトSW		
SW865	V4757100	SW. TACT	EVO11A		タクトSW		
SW866	V4757100	SW. TACT	EVO11A		タクトSW		
SW867	V4757100	SW. TACT	EVO11A	BG	タクトSW		
SW868	V4757100	SW. TACT	EVO11A	BG	タクトSW		
SW869	V9281200	SW. RT. ENC	EVEGC1F2512B		ロータリーエンコーダ		
SW870	V4757100	SW. TACT	EVO11A	BG	タクトSW		
SW871	V4757100	SW. TACT	EVO11A	BG	タクトSW		
* SW872	WB544900	SW. RT. ENC	SDB161PH20FS-1-4	2400	ロータリーエンコーダ		
U851	V9240900	L. DTCT	GP1UM281XK		リモコン受光ユニット		
* U852	V7680700	CN. PHOT. SN	1P GP1FA512RZ		光ファイバ受信器		
* V851	WB585800	FL. DSPLY	16-BT-112GNK		蛍光表示管		
	V6007000	SHEET			シート/FL		
	V6007100	SPACER. FL	4.6/10/32		スペーサ FL		
* * * * *	WB722100	P. C. B.	MAIN	2400	J	P C B メイン	
* * * * *	WB722200	P. C. B.	MAIN	2400	UCRTA	P C B メイン	
* * * * *	WB722300	P. C. B.	MAIN	2400	KBGL	P C B メイン	
* * * * *	WB722400	P. C. B.	MAIN	1400, 5690	J	P C B メイン	
* * * * *	WB722500	P. C. B.	MAIN	1400, 5690	UCRTA	P C B メイン	
* * * * *	WB722600	P. C. B.	MAIN	1400, 5690	KBGL	P C B メイン	
* CB205	V7826400	CN	14P TE TUC SERIES			コネクタプラグ	
* CB207	VU271200	CN	12P TE			FFC コネクタ	
* CB211	WB127100	CN. BS. PIN	3P TE XH			ベースツキポスト	
* CB212	LB932060	CN. BS. PIN	6P			ベースポスト	01
* CB215	VE352600	CN. BS. PIN	14P			コネクタベースポスト	01
* CB216	LB918020	CN. BS. PIN	2P			ベース付ポスト	01
* CB217	V7825700	CN	7P TE TUC SERIES			コネクタプラグ	
* CB218	LB918030	CN. BS. PIN	3P			ベース付ポスト	01
* C201	VJ599100	C. CE. TUBLR	0.1uF 50V			円筒セラコン	01
* C226	VJ599100	C. CE. TUBLR	0.1uF 50V			円筒セラコン	01
* C227	UR267470	C. EL	47uF 50V			ケミコン	
* C228	UR267470	C. EL	47uF 50V			ケミコン	
* C229	UR267470	C. EL	47uF 50V			ケミコン	
* C230	UR267470	C. EL	47uF 50V			ケミコン	
* C231	UR267470	C. EL	47uF 50V			ケミコン	
* C232	UR267470	C. EL	47uF 50V			ケミコン	
* C233	UR267470	C. EL	47uF 50V			ケミコン	
* C234	V8584500	C. PP	100pF 630V			PPコン	
* C235	UR267470	C. EL	47uF 50V			ケミコン	

* New Parts * 新規部品(マーク#の部品は、基板に含まれません)

RX-V2400/RX-V2400RDS/DSP-AX2400
 RX-V1400/RX-V1400RDS/HTR-5690/DSP-AX1400

P.C.B. MAIN

Schm Ref.	PART NO.	Description	Remarks	Markets	部 品 名	Rank
C236	V8584500	C. PP	100pF 630V		P P コン	
C237	V8584500	C. PP	100pF 630V		P P コン	
* C238	UR267470	C. EL	47uF 50V		ケミコン	
C239	V8584500	C. PP	100pF 630V		P P コン	
C240	V8584500	C. PP	100pF 630V		P P コン	
* C241	UR267470	C. EL	47uF 50V		ケミコン	
C242	V8584500	C. PP	100pF 630V		P P コン	
C243	V8584500	C. PP	100pF 630V		P P コン	
* C244	UR267470	C. EL	47uF 50V		ケミコン	
C245	V8584500	C. PP	100pF 630V		P P コン	
C246	V8584500	C. PP	100pF 630V		P P コン	
* C247	UR267470	C. EL	47uF 50V		ケミコン	
C248	V8584500	C. PP	100pF 630V		P P コン	
C249	V8584500	C. PP	100pF 630V		P P コン	
* C250	UR267470	C. EL	47uF 50V		ケミコン	
C251	V8584500	C. PP	100pF 630V		P P コン	
C252	V8584500	C. PP	100pF 630V		P P コン	
* C253	UR267470	C. EL	47uF 50V		ケミコン	
C254	V8584500	C. PP	100pF 630V		P P コン	
C255	VK399200	C. MYLAR. ML	0.39uF 50V		積層マイラーコン	
C256	VK399200	C. MYLAR. ML	0.39uF 50V		積層マイラーコン	
C257	VP918300	C. PP	0.022uF 100V		P P コン	
C258	VP918300	C. PP	0.022uF 100V		P P コン	
C259	UA654220	C. MYLAR	0.022uF 50V		マイラーコン	
C260	UA654220	C. MYLAR	0.022uF 50V		マイラーコン	
C261	VP918300	C. PP	0.022uF 100V		P P コン	
C262	UA654220	C. MYLAR	0.022uF 50V		マイラーコン	
C263	UA654220	C. MYLAR	0.022uF 50V		マイラーコン	
* C264	UR297100	C. EL	10uF 100V		ケミコン	
* C265	UR297100	C. EL	10uF 100V		ケミコン	
* C266	UR297100	C. EL	10uF 100V		ケミコン	
* C267	UR297100	C. EL	10uF 100V		ケミコン	
* C268	UR297100	C. EL	10uF 100V		ケミコン	
* C269	UR297100	C. EL	10uF 100V		ケミコン	
* C270	UR266470	C. EL	4.7uF 50V		ケミコン	
* C271	UR266470	C. EL	4.7uF 50V		ケミコン	
C275	UA653470	C. MYLAR	4700pF 50V	UCRTKABGL	マイラーコン	01
C276	UA653470	C. MYLAR	4700pF 50V	UCRTKABGL	マイラーコン	01
C277	UA653470	C. MYLAR	4700pF 50V	UCRTKABGL	マイラーコン	01
C278	UA653470	C. MYLAR	4700pF 50V	UCRTKABGL	マイラーコン	01
C279	UA654220	C. MYLAR	0.022uF 50V	UCRTKABGL	マイラーコン	
C280	UA654100	C. MYLAR	0.01uF 50V	UCRTKABGL	マイラーコン	01
C281	UA654100	C. MYLAR	0.01uF 50V	UCRTKABGL	マイラーコン	01
C283	V9468900	C. EL	15000uF 71V	UCRTA	ケミコン	
* C283	WB799200	C. EL	15000uF 71V	JKBGL	ケミコン	
C284	V9468900	C. EL	15000uF 71V	UCRTA	ケミコン	
* C284	WB799200	C. EL	15000uF 71V	JKBGL	ケミコン	
* C286	UR268330	C. EL	330uF 50V		ケミコン	
* C287	UR268100	C. EL	100uF 50V		ケミコン	
C288	VR324900	C. MYLAR	0.1uF 100V		マイラーコン	01
C289	VR324900	C. MYLAR	0.1uF 100V		マイラーコン	01
C290	UA654220	C. MYLAR	0.022uF 50V	UCRTKABGL	マイラーコン	
C291	UA654220	C. MYLAR	0.022uF 50V	UCRTKABGL	マイラーコン	

* New Parts * 新規部品(マーク#の部品は、基板に含まれません)

RX-V2400/RX-V2400RDS/DSP-AX2400
RX-V1400/RX-V1400RDS/HTR-5690/DSP-AX1400

P.C.B. MAIN

Schm Ref.	PART NO.	Description	Remarks	Markets	部 品 名	Rank	
C292	UA654220	C. MYLAR	0.022uF 50V		UCRTKABGL	マイラーコン	
C293	UA654220	C. MYLAR	0.022uF 50V		UCRTKABGL	マイラーコン	
C294	UA654220	C. MYLAR	0.022uF 50V		UCRTKABGL	マイラーコン	
C295	UA654220	C. MYLAR	0.022uF 50V		UCRTKABGL	マイラーコン	
C296	UA654100	C. MYLAR	0.01uF 50V		UCRTKABGL	マイラーコン	01
C297	UA654100	C. MYLAR	0.01uF 50V		UCRTKABGL	マイラーコン	01
C299	UA654100	C. MYLAR	0.01uF 50V		UCRTKABGL	マイラーコン	01
C300	UA654100	C. MYLAR	0.01uF 50V		UCRTKABGL	マイラーコン	01
C301	UA355100	C. MYLAR	0.1uF 50V			マイラーコン	01
C302	UA355100	C. MYLAR	0.1uF 50V			マイラーコン	01
C303	UA654220	C. MYLAR	0.022uF 50V		UCRTKABGL	マイラーコン	
C304	UA654220	C. MYLAR	0.022uF 50V		UCRTKABGL	マイラーコン	
C305	V8584600	C. PP	220pF 630V			P P コン	
D201	VD631600	D10DE	1SS133, 176			ダイオード	01
D206	VD631600	D10DE	1SS133, 176			ダイオード	01
D207	WA180300	D10DE	1SS244			ダイオード	
D208	WA180300	D10DE	1SS244			ダイオード	
D209	WA180300	D10DE	1SS244			ダイオード	
D210	WA180300	D10DE	1SS244			ダイオード	
D211	WA180300	D10DE	1SS244			ダイオード	
D212	WA180300	D10DE	1SS244			ダイオード	
D213	WA180300	D10DE	1SS244			ダイオード	
D214	WA180300	D10DE	1SS244			ダイオード	
D215	WA180300	D10DE	1SS244			ダイオード	
D216	WA180300	D10DE	1SS244			ダイオード	
D217	WA180300	D10DE	1SS244			ダイオード	
D218	WA180300	D10DE	1SS244			ダイオード	
D219	WA180300	D10DE	1SS244			ダイオード	
D220	WA180300	D10DE	1SS244			ダイオード	
D221	WA180300	D10DE	1SS244			ダイオード	
D222	WA180300	D10DE	1SS244			ダイオード	
D223	WA180300	D10DE	1SS244			ダイオード	
D224	WA180300	D10DE	1SS244			ダイオード	
D225	VG440300	D10DE. ZENR	MTZJ12C 12V			ツェナーダイオード	01
D226	VG440300	D10DE. ZENR	MTZJ12C 12V			ツェナーダイオード	01
D227	VG440300	D10DE. ZENR	MTZJ12C 12V			ツェナーダイオード	01
D228	VG443700	D10DE. ZENR	MTZJ33B 33V			ツェナーダイオード	
D229	VG440300	D10DE. ZENR	MTZJ12C 12V			ツェナーダイオード	01
D231	VG440300	D10DE. ZENR	MTZJ12C 12V			ツェナーダイオード	01
D232	VG440300	D10DE. ZENR	MTZJ12C 12V			ツェナーダイオード	01
D233	VG440300	D10DE. ZENR	MTZJ12C 12V			ツェナーダイオード	01
D234	VG440300	D10DE. ZENR	MTZJ12C 12V			ツェナーダイオード	01
D235	VG440300	D10DE. ZENR	MTZJ12C 12V			ツェナーダイオード	01
D236	VG440300	D10DE. ZENR	MTZJ12C 12V			ツェナーダイオード	01
D238	VG440300	D10DE. ZENR	MTZJ12C 12V			ツェナーダイオード	01
D239	VG440300	D10DE. ZENR	MTZJ12C 12V			ツェナーダイオード	01
△ D240	VS997800	D10DE	1T2			ダイオード	
△ D241	VS997800	D10DE	1T2			ダイオード	
△ D242	VS997800	D10DE	1T2			ダイオード	
△ D243	VS997800	D10DE	1T2			ダイオード	
△ D246	VZ755200	D10DE. BRG	D15XB20 15A 200V			ダイオードブリッジ	
G201	V5995800	PLATE. GND				アースプレート	
△ IC201	X0515A00	IC	LM61CIZ THERMAL			電源 IC	

* New Parts * 新規部品(マーク#の部品は、基板に含まれません)

RX-V2400/RX-V2400RDS/DSP-AX2400
 RX-V1400/RX-V1400RDS/HTR-5690/DSP-AX1400

P.C.B. MAIN

Schm Ref.	PART NO.	Description	Remarks	Markets	部 品 名	Rank
△	IC202	X0515A00 IC	LM61CIZ THERMAL		電源 I C	
△	Q213	VK432900 TR	2SD1915F S, T		トランジスタ	01
△	Q214	VK432900 TR	2SD1915F S, T		トランジスタ	01
△	Q215	iC224030 TR	2SC2240 GR, BL		トランジスタ	01
△	Q216	iC224030 TR	2SC2240 GR, BL		トランジスタ	01
△	Q217	VK432900 TR	2SD1915F S, T		トランジスタ	01
△	Q218	VK432900 TR	2SD1915F S, T		トランジスタ	01
△	Q219	VK432900 TR	2SD1915F S, T		トランジスタ	01
△	Q220A	iX632610 TR	2SA1837 O, Y		トランジスタ	02
△	Q220C	iX632620 TR	2SC4793 O, Y		トランジスタ	02
△	Q221A	iX632610 TR	2SA1837 O, Y		トランジスタ	02
△	Q221C	iX632620 TR	2SC4793 O, Y		トランジスタ	02
△	Q222A	iX632610 TR	2SA1837 O, Y		トランジスタ	02
△	Q222C	iX632620 TR	2SC4793 O, Y		トランジスタ	02
△	Q223A	iX632610 TR	2SA1837 O, Y		トランジスタ	02
△	Q223C	iX632620 TR	2SC4793 O, Y		トランジスタ	02
△	Q224A	iX632610 TR	2SA1837 O, Y		トランジスタ	02
△	Q224C	iX632620 TR	2SC4793 O, Y		トランジスタ	02
△	Q225A	iX632610 TR	2SA1837 O, Y		トランジスタ	02
△	Q225C	iX632620 TR	2SC4793 O, Y		トランジスタ	02
△	Q226A	iX606460 TR	2SA1492 O, P, Y		トランジスタ	05
△	Q226C	iX606470 TR	2SC3856 O, P, Y		トランジスタ	05
△	Q227A	iX606460 TR	2SA1492 O, P, Y		トランジスタ	05
△	Q227C	iX606470 TR	2SC3856 O, P, Y		トランジスタ	05
△	Q228A	iX606460 TR	2SA1492 O, P, Y		トランジスタ	05
△	Q228C	iX606470 TR	2SC3856 O, P, Y		トランジスタ	05
△	Q229A	iX606460 TR	2SA1492 O, P, Y		トランジスタ	05
△	Q229C	iX606470 TR	2SC3856 O, P, Y		トランジスタ	05
△	Q230A	iX606460 TR	2SA1492 O, P, Y		トランジスタ	05
△	Q230C	iX606470 TR	2SC3856 O, P, Y		トランジスタ	05
△	Q231A	iX606460 TR	2SA1492 O, P, Y		トランジスタ	05
△	Q231C	iX606470 TR	2SC3856 O, P, Y		トランジスタ	05
△	Q232A	iX606460 TR	2SA1492 O, P, Y		トランジスタ	05
△	Q232C	iX606470 TR	2SC3856 O, P, Y		トランジスタ	05
△	Q233A	iX632610 TR	2SA1837 O, Y		トランジスタ	02
△	Q233C	iX632620 TR	2SC4793 O, Y		トランジスタ	02
	Q248	VP883100 TR	2SC1890A D, E		トランジスタ	01
	Q249	VP883100 TR	2SC1890A D, E		トランジスタ	01
	Q250	VP883100 TR	2SC1890A D, E		トランジスタ	01
	Q251	VP883100 TR	2SC1890A D, E		トランジスタ	01
	Q252	VP883100 TR	2SC1890A D, E		トランジスタ	01
	Q253	VP883100 TR	2SC1890A D, E		トランジスタ	01
	Q254	VP883100 TR	2SC1890A D, E		トランジスタ	01
	Q255	iC181510 TR	2SC1815 Y		トランジスタ	01
	Q256	iC181510 TR	2SC1815 Y		トランジスタ	01
	Q257	iA101510 TR	2SA1015 Y		トランジスタ	01
	Q258	iC181510 TR	2SC1815 Y		トランジスタ	01
	Q261	iC181510 TR	2SC1815 Y		トランジスタ	01
	Q262	iC181510 TR	2SC1815 Y		トランジスタ	01
	R249	VP941600 R. MTL. OXD	5. 6K Ω 1W	J	酸化金属被膜抵抗	01
	R249	VP941700 R. MTL. OXD	6. 8K Ω 1W	UCRTKABGL	酸化金属被膜抵抗	01
	R250	VP941600 R. MTL. OXD	5. 6K Ω 1W		酸化金属被膜抵抗	01
	R251	VP941600 R. MTL. OXD	5. 6K Ω 1W	J	酸化金属被膜抵抗	01

* New Parts * 新規部品 (マーク#の部品は、基板に含まれません)

P.C.B. MAIN

Schm Ref.	PART NO.	Description	Remarks	Markets	部 品 名	Rank
R251	VP941700	R. MTL. OXD	6.8KΩ 1W		UCRTKABGL 酸化金属被膜抵抗	01
R252	VP941600	R. MTL. OXD	5.6KΩ 1W		酸化金属被膜抵抗	01
R253	VP941600	R. MTL. OXD	5.6KΩ 1W	J	酸化金属被膜抵抗	01
R253	VP941700	R. MTL. OXD	6.8KΩ 1W	UCRTKABGL	酸化金属被膜抵抗	01
R254	VP941600	R. MTL. OXD	5.6KΩ 1W		酸化金属被膜抵抗	01
R255	VP941600	R. MTL. OXD	5.6KΩ 1W	J	酸化金属被膜抵抗	01
R255	VP941700	R. MTL. OXD	6.8KΩ 1W	UCRTKABGL	酸化金属被膜抵抗	01
R256	VP941600	R. MTL. OXD	5.6KΩ 1W		酸化金属被膜抵抗	01
R257	VP941600	R. MTL. OXD	5.6KΩ 1W	J	酸化金属被膜抵抗	01
R257	VP941700	R. MTL. OXD	6.8KΩ 1W	UCRTKABGL	酸化金属被膜抵抗	01
R258	VP941600	R. MTL. OXD	5.6KΩ 1W		酸化金属被膜抵抗	01
R259	VP941600	R. MTL. OXD	5.6KΩ 1W	J	酸化金属被膜抵抗	01
R259	VP941700	R. MTL. OXD	6.8KΩ 1W	UCRTKABGL	酸化金属被膜抵抗	01
R260	VP941600	R. MTL. OXD	5.6KΩ 1W		酸化金属被膜抵抗	01
R261	VP941600	R. MTL. OXD	5.6KΩ 1W	J	酸化金属被膜抵抗	01
R261	VP941700	R. MTL. OXD	6.8KΩ 1W	UCRTKABGL	酸化金属被膜抵抗	01
R262	VP941600	R. MTL. OXD	5.6KΩ 1W		酸化金属被膜抵抗	01
R263	V3946100	R. MTL. OXD	2.7KΩ 1/2W		酸化金属被膜抵抗	
R264	V3945100	R. MTL. OXD	390Ω 1/2W		酸化金属被膜抵抗	
R265	V3945500	R. MTL. OXD	820Ω 1/2W		酸化金属被膜抵抗	
R266	HV755100	R. CAR. FP	100Ω 1/4W		不燃化カーボン抵抗	01
R267	V3946100	R. MTL. OXD	2.7KΩ 1/2W		酸化金属被膜抵抗	
R268	V3945100	R. MTL. OXD	390Ω 1/2W		酸化金属被膜抵抗	
R269	V3945500	R. MTL. OXD	820Ω 1/2W		酸化金属被膜抵抗	
R270	HV755100	R. CAR. FP	100Ω 1/4W		不燃化カーボン抵抗	01
R271	V3946100	R. MTL. OXD	2.7KΩ 1/2W		酸化金属被膜抵抗	
* R272	V3944900	R. MTL. OXD	270Ω 1/2W		酸化金属被膜抵抗	
R273	V3945600	R. MTL. OXD	1KΩ 1/2W		酸化金属被膜抵抗	
R274	HV755100	R. CAR. FP	100Ω 1/4W		不燃化カーボン抵抗	01
R275	V3946100	R. MTL. OXD	2.7KΩ 1/2W		酸化金属被膜抵抗	
* R276	V3944900	R. MTL. OXD	270Ω 1/2W		酸化金属被膜抵抗	
R277	V3945600	R. MTL. OXD	1KΩ 1/2W		酸化金属被膜抵抗	
R278	HV755100	R. CAR. FP	100Ω 1/4W		不燃化カーボン抵抗	01
R279	V3946100	R. MTL. OXD	2.7KΩ 1/2W		酸化金属被膜抵抗	
R280	V3945100	R. MTL. OXD	390Ω 1/2W		酸化金属被膜抵抗	
R281	V3945500	R. MTL. OXD	820Ω 1/2W		酸化金属被膜抵抗	
R282	HV755100	R. CAR. FP	100Ω 1/4W		不燃化カーボン抵抗	01
R283	V3946100	R. MTL. OXD	2.7KΩ 1/2W		酸化金属被膜抵抗	
R284	V3945100	R. MTL. OXD	390Ω 1/2W		酸化金属被膜抵抗	
R285	V3945500	R. MTL. OXD	820Ω 1/2W		酸化金属被膜抵抗	
R286	HV755100	R. CAR. FP	100Ω 1/4W		不燃化カーボン抵抗	01
R287	V3946100	R. MTL. OXD	2.7KΩ 1/2W		酸化金属被膜抵抗	
R288	V3945100	R. MTL. OXD	390Ω 1/2W		酸化金属被膜抵抗	
R289	V3945500	R. MTL. OXD	820Ω 1/2W		酸化金属被膜抵抗	
R290	HV755100	R. CAR. FP	100Ω 1/4W		不燃化カーボン抵抗	01
R291	V3945600	R. MTL. OXD	1KΩ 1/2W		酸化金属被膜抵抗	
R292	V3945600	R. MTL. OXD	1KΩ 1/2W		酸化金属被膜抵抗	
R293	V3945600	R. MTL. OXD	1KΩ 1/2W		酸化金属被膜抵抗	
R294	V3945600	R. MTL. OXD	1KΩ 1/2W		酸化金属被膜抵抗	
R295	V3945600	R. MTL. OXD	1KΩ 1/2W		酸化金属被膜抵抗	
R296	V3945600	R. MTL. OXD	1KΩ 1/2W		酸化金属被膜抵抗	
R297	V3945600	R. MTL. OXD	1KΩ 1/2W		酸化金属被膜抵抗	
△ R298	V3944800	R. MTL. OXD	220Ω 1/2W		酸化金属被膜抵抗	

* New Parts * 新規部品(マーク#の部品は、基板に含まれません)

RX-V2400/RX-V2400RDS/DSP-AX2400
 RX-V1400/RX-V1400RDS/HTR-5690/DSP-AX1400

P.C.B. MAIN

Schm Ref.	PART NO.	Description	Remarks	Markets	部 品 名	Rank
△ R299	V3944800	R. MTL. OXD 220Ω 1/2W			酸化金属被膜抵抗	
△ R300	V3944800	R. MTL. OXD 220Ω 1/2W			酸化金属被膜抵抗	
△ R301	V3944800	R. MTL. OXD 220Ω 1/2W			酸化金属被膜抵抗	
△ R302	V3944800	R. MTL. OXD 220Ω 1/2W			酸化金属被膜抵抗	
△ R303	V3944800	R. MTL. OXD 220Ω 1/2W			酸化金属被膜抵抗	
△ R304	V3944800	R. MTL. OXD 220Ω 1/2W			酸化金属被膜抵抗	
R305	VP939700	R. MTL. FLM 4.7Ω 1W			金属被膜抵抗	01
R306	VP939700	R. MTL. FLM 4.7Ω 1W			金属被膜抵抗	01
R307	VP939700	R. MTL. FLM 4.7Ω 1W			金属被膜抵抗	01
R308	VP939700	R. MTL. FLM 4.7Ω 1W			金属被膜抵抗	01
R309	VP939700	R. MTL. FLM 4.7Ω 1W			金属被膜抵抗	01
R310	VP939700	R. MTL. FLM 4.7Ω 1W			金属被膜抵抗	01
R311	VP939700	R. MTL. FLM 4.7Ω 1W			金属被膜抵抗	01
R312	VP939700	R. MTL. FLM 4.7Ω 1W			金属被膜抵抗	01
R313	VP939700	R. MTL. FLM 4.7Ω 1W			金属被膜抵抗	01
R314	VP939700	R. MTL. FLM 4.7Ω 1W			金属被膜抵抗	01
R315	VP939700	R. MTL. FLM 4.7Ω 1W			金属被膜抵抗	01
R316	VP939700	R. MTL. FLM 4.7Ω 1W			金属被膜抵抗	01
R317	VP939700	R. MTL. FLM 4.7Ω 1W			金属被膜抵抗	01
R318	VP939700	R. MTL. FLM 4.7Ω 1W			金属被膜抵抗	01
R319	V3873200	R. WW 0.22Ω 3W			セメント抵抗	
R320	V3873200	R. WW 0.22Ω 3W			セメント抵抗	
R321	WB279900	R. WW RGC55C 0.22+0.22			セメント抵抗	
R322	WB279900	R. WW RGC55C 0.22+0.22			セメント抵抗	
R325	V3873200	R. WW 0.22Ω 3W			セメント抵抗	
R326	WB279900	R. WW RGC55C 0.22+0.22			セメント抵抗	
R327	WB279900	R. WW RGC55C 0.22+0.22			セメント抵抗	
R349	VP939800	R. MTL. OXD 10Ω 1W			酸化金属被膜抵抗	01
R350	VP939800	R. MTL. OXD 10Ω 1W			酸化金属被膜抵抗	01
R351	VP939800	R. MTL. OXD 10Ω 1W			酸化金属被膜抵抗	01
R352	VP939800	R. MTL. OXD 10Ω 1W			酸化金属被膜抵抗	01
R353	VP939800	R. MTL. OXD 10Ω 1W			酸化金属被膜抵抗	01
R354	VP939800	R. MTL. OXD 10Ω 1W			酸化金属被膜抵抗	01
R355	VP939800	R. MTL. OXD 10Ω 1W			酸化金属被膜抵抗	01
R363	HV754100	R. CAR. FP 10Ω 1/4W			不燃化カーボン抵抗	01
R364	HV754100	R. CAR. FP 10Ω 1/4W			不燃化カーボン抵抗	01
R365	HV754100	R. CAR. FP 10Ω 1/4W			不燃化カーボン抵抗	01
R367	HV754100	R. CAR. FP 10Ω 1/4W			不燃化カーボン抵抗	01
R371	HV754100	R. CAR. FP 10Ω 1/4W			不燃化カーボン抵抗	01
R372	HV754100	R. CAR. FP 10Ω 1/4W			不燃化カーボン抵抗	01
R373	HV754100	R. CAR. FP 10Ω 1/4W			不燃化カーボン抵抗	01
R380	VP939500	R. MTL. FLM 1Ω 1W			金属被膜抵抗	
R381	VP939500	R. MTL. FLM 1Ω 1W			金属被膜抵抗	
R382	VP939500	R. MTL. FLM 1Ω 1W			金属被膜抵抗	
R383	VP941000	R. MTL. OXD 680Ω 1W			酸化金属被膜抵抗	01
R384	VP941000	R. MTL. OXD 680Ω 1W			酸化金属被膜抵抗	01
R387	HV756100	R. CAR. FP 1KΩ 1/4W			不燃化カーボン抵抗	01
R389	HV755100	R. CAR. FP 100Ω 1/4W			不燃化カーボン抵抗	01
R397	VP941000	R. MTL. OXD 680Ω 1W			酸化金属被膜抵抗	01
R400	VP941000	R. MTL. OXD 680Ω 1W			酸化金属被膜抵抗	01
R401	VP941000	R. MTL. OXD 680Ω 1W			酸化金属被膜抵抗	01
△ R406	HV753100	R. CAR. FP 1Ω 1/4W			不燃化カーボン抵抗	
△ R408	HV753100	R. CAR. FP 1Ω 1/4W			不燃化カーボン抵抗	

* New Parts * 新規部品(マーク#の部品は、基板に含まれません)

P.C.B. MAIN & P.C.B. POWER

Schm Ref.	PART NO.	Description	Remarks	Markets	部 品 名	Rank
R409	HV753470	R. CAR. FP	4.7Ω 1/4W		UCRTKABGL 不燃化カーボン抵抗	01
R410	HV753470	R. CAR. FP	4.7Ω 1/4W		UCRTKABGL 不燃化カーボン抵抗	01
R411	HV753470	R. CAR. FP	4.7Ω 1/4W		UCRTKABGL 不燃化カーボン抵抗	01
R412	HV753470	R. CAR. FP	4.7Ω 1/4W		UCRTKABGL 不燃化カーボン抵抗	01
R413	HV753470	R. CAR. FP	4.7Ω 1/4W		UCRTKABGL 不燃化カーボン抵抗	01
R414	HV753470	R. CAR. FP	4.7Ω 1/4W		UCRTKABGL 不燃化カーボン抵抗	01
R415	HV753470	R. CAR. FP	4.7Ω 1/4W		UCRTKABGL 不燃化カーボン抵抗	01
R416	HV753470	R. CAR. FP	4.7Ω 1/4W		UCRTKABGL 不燃化カーボン抵抗	01
R417	HV753470	R. CAR. FP	4.7Ω 1/4W		UCRTKABGL 不燃化カーボン抵抗	01
R418	VP941000	R. MTL. OXD	680Ω 1W		酸化金属被膜抵抗	01
R421	VP939700	R. MTL. FLM	4.7Ω 1W		金属被膜抵抗	01
RY201	V6322600	RELAY	DC DH24D2-OT(M)-SL		リレー 24V	
RY202	V6322600	RELAY	DC DH24D2-OT(M)-SL		リレー 24V	
RY203	V6322600	RELAY	DC DH24D2-OT(M)-SL		リレー 24V	
RY204	V6322600	RELAY	DC DH24D2-OT(M)-SL		リレー 24V	
RY205	V6322600	RELAY	DC DH24D2-OT(M)-SL		リレー 24V	
RY206	WA544800	RELAY	DC G5PA-28		リレー 24V	
TE201	V9458800	TERM. SP	LTS0410-3012	JUCRTA	スピーカターミナル 4P	
TE201	V9471000	TERM. SP	LTS0410-3013	KBGL	スピーカターミナル 4P	
* TE202	WB424700	TERM. SP	LTS0610-2011G	JUCRTA	スピーカターミナル 6P	
* TE202	WB424800	TERM. SP	LTS0610-2012G	KBGL	スピーカターミナル 6P	
TE203	V8259500	TERM. SP	LQR2411-0001G	JUCRTA	スピーカターミナル 4P	
TE203	V8259600	TERM. SP	LQR2411-0003G	KBGL	スピーカターミナル 4P	
TE204	V9458900	TERM. SP	LTS0810-1015	KBGL	スピーカターミナル 8P	
TE204	V9459000	TERM. SP	LTS0810-1016	JUCRTA	スピーカターミナル 8P	
	EP600140	SCR. BND. HD	3x10 MFZN2BL		バインドBタイトネジ	01
* WB723100	P. C. B.	POWER	2400	J	P C B パワー	
* WB723200	P. C. B.	POWER	2400	UC	P C B パワー	
* WB723300	P. C. B.	POWER	2400	R	P C B パワー	
* WB723400	P. C. B.	POWER	2400	TK	P C B パワー	
* WB723500	P. C. B.	POWER	2400	A	P C B パワー	
* WB723600	P. C. B.	POWER	2400	B	P C B パワー	
* WB723700	P. C. B.	POWER	2400	G	P C B パワー	
* WB723800	P. C. B.	POWER	2400	L	P C B パワー	
* WB723900	P. C. B.	POWER	1400, 5690	J	P C B パワー	
* WB724000	P. C. B.	POWER	1400, 5690	UC	P C B パワー	
* WB724100	P. C. B.	POWER	1400, 5690	R	P C B パワー	
* WB724300	P. C. B.	POWER	1400, 5690	TK	P C B パワー	
* WB724400	P. C. B.	POWER	1400, 5690	A	P C B パワー	
* WB724500	P. C. B.	POWER	1400, 5690	B	P C B パワー	
* WB724600	P. C. B.	POWER	1400, 5690	G	P C B パワー	
* WB724700	P. C. B.	POWER	1400, 5690	L	P C B パワー	
CB1	VB390300	CN. BS. PIN	7P		ベースピン	01
CB2	VG879900	CN. BS. PIN	2P	RTKABGL	ベースピン	01
CB3	VG879900	CN. BS. PIN	2P		ベースピン	01
CB4	V9377900	CN. BS. PIN	4P SE VH SERIES	RL	ベース付ポスト	
CB5	V9377800	CN. BS. PIN	3P SE VH SERIES	RL	ベース付ポスト	
CB6	VP206500	HOLDER. FUS	EYF-52BCT	UCG	ヒューズホルダー	01
CB7	VP206500	HOLDER. FUS	EYF-52BCT	UCG	ヒューズホルダー	01
CB8	VP206500	HOLDER. FUS	EYF-52BCT		ヒューズホルダー	01

* New Parts * 新規部品(マーク#の部品は、基板に含まれません)

RX-V2400/RX-V2400RDS/DSP-AX2400
RX-V1400/RX-V1400RDS/HTR-5690/DSP-AX1400

P.C.B. POWER

Schm Ref.	PART NO.	Description	Remarks	Markets	部 品 名	Rank
CB9	VP206500	HOLDER, FUS	EYF-52BCT		ヒューズホルダー	01
CB10	VP206500	HOLDER, FUS	EYF-52BCT	RL	ヒューズホルダー	01
CB11	VP206500	HOLDER, FUS	EYF-52BCT	RL	ヒューズホルダー	01
CB22	VQ044900	CN. BS. PIN	19P		F F C コネクタ	
CB23	V7828100	SOCKET	14P TE TUC SERIES		コネクタソケット	
CB24	LB919100	CN. BS. PIN	10P SE XH		ベースツキポスト	
CB25	VB858200	CN. BS. PIN	3P		ベースピン	01
CB28	VB858200	CN. BS. PIN	3P		ベースピン	01
CB29	V7827400	SOCKET	7P TE TUC SERIES		コネクタソケット	
CB30	VB858700	CN. BS. PIN	8P		ベースピン	01
CB31	VN066500	CN. BS. PIN	12P	UCA	コネクタ	01
CB32	VB389900	CN. BS. PIN	3P		ベースピン	01
* C1	UR239330	C. EL	3300uF 16V		ケミコン	
* C2	UR267100	C. EL	10uF 50V	RL	ケミコン	
* C3	UR237330	C. EL	33uF 16V		ケミコン	
* C4	UR297100	C. EL	10uF 100V	RL	ケミコン	
* C5	UR267100	C. EL	10uF 50V	RL	ケミコン	
C6	VL884600	C. PP	0.01uF 100V	JUCTKABG	P P コン	03
C7	UA654100	C. MYLAR	0.01uF 50V	RL	マイラーコン	01
C8	UA654100	C. MYLAR	0.01uF 50V	RL	マイラーコン	01
C9	V6185300	C. CE. SAFTY	0.01uF 275V		規格認定コン	
C10	UA654100	C. MYLAR	0.01uF 50V		マイラーコン	01
C11	UA654100	C. MYLAR	0.01uF 50V		マイラーコン	01
C21	V8584600	C. PP	220pF 630V		P P コン	
* C22	UR218220	C. EL	220uF 6.3V		ケミコン	
* C23	UR237100	C. EL	10uF 16V		ケミコン	
* C24	UR237100	C. EL	10uF 16V		ケミコン	
* C25	UR237100	C. EL	10uF 16V		ケミコン	
* C26	UR267470	C. EL	47uF 50V		ケミコン	
* C27	UR219100	C. EL	1000uF 6.3V		ケミコン	
* C28	UR219100	C. EL	1000uF 6.3V		ケミコン	
* C29	UR238100	C. EL	100uF 16V		ケミコン	
* C30	UR297220	C. EL	22uF 100V		ケミコン	
* C31	UR297220	C. EL	22uF 100V		ケミコン	
C32	UA652100	C. MYLAR	100pF 50V		マイラーコン	01
C33	UA652220	C. MYLAR	220pF 50V		マイラーコン	01
C34	UA652100	C. MYLAR	100pF 50V		マイラーコン	01
C35	UA652220	C. MYLAR	220pF 50V		マイラーコン	01
* C36	UT952100	C. PP	100pF 100V		P P コン	
* C37	UT952220	C. PP	220pF 100V		P P コン	
* C38	UR297220	C. EL	22uF 100V		ケミコン	
* C39	UR297100	C. EL	10uF 100V		ケミコン	
C40	UA653220	C. MYLAR	2200pF 50V		マイラーコン	01
C41	UA653220	C. MYLAR	2200pF 50V		マイラーコン	01
C42	VP847100	C. PP	2200pF 100V		P P コン	01
* C43	UR267470	C. EL	47uF 50V		ケミコン	
* C44	UR267470	C. EL	47uF 50V		ケミコン	
* C45	UR267470	C. EL	47uF 50V		ケミコン	
C46	FU451220	C. MICA	22pF 500V		マイカコン	01
C47	FU451220	C. MICA	22pF 500V		マイカコン	01
C48	FU451220	C. MICA	22pF 500V		マイカコン	01
* C49	UR266470	C. EL	4.7uF 50V		ケミコン	
C50	VR324900	C. MYLAR	0.1uF 100V		マイラーコン	01

* New Parts * 新規部品(マーク#の部品は、基板に含まれません)

P.C.B. POWER

Schm Ref.	PART NO.	Description	Remarks	Markets	部 品 名	Rank
C51	VR324900	C. MYLAR	0. 1uF 100V		マイラーコン	01
C52	VR324900	C. MYLAR	0. 1uF 100V		マイラーコン	01
C53	VR324900	C. MYLAR	0. 1uF 100V		マイラーコン	01
* C54	UR049680	C. EL	6800uF 25V		ケミコン	
* C55	UR149330	C. EL	3300uF 25V		ケミコン	
* C56	UR03A100	C. EL	10000uF 16V		ケミコン	
* C57	UR03A100	C. EL	10000uF 16V		ケミコン	
* C58	UR03A100	C. EL	10000uF 16V		ケミコン	
* C59	UR03A100	C. EL	10000uF 16V		ケミコン	
* C60	UR03A100	C. EL	10000uF 16V		ケミコン	
* C61	UR03A100	C. EL	10000uF 16V		ケミコン	
* C62	UR237100	C. EL	10uF 16V		ケミコン	
* C63	UR238100	C. EL	100uF 16V		ケミコン	
* C64	UR237100	C. EL	10uF 16V		ケミコン	
* C65	UR238100	C. EL	100uF 16V		ケミコン	
* C66	UR247100	C. EL	10uF 25V		ケミコン	
* C67	UR247100	C. EL	10uF 25V		ケミコン	
* C68	UR237100	C. EL	10uF 16V		ケミコン	
* C69	UR237100	C. EL	10uF 16V		ケミコン	
* C70	UR238100	C. EL	100uF 16V		ケミコン	
* C71	UR238100	C. EL	100uF 16V		ケミコン	
* C72	UR238100	C. EL	100uF 16V		ケミコン	
* C73	UR238100	C. EL	100uF 16V		ケミコン	
* C75	UR238100	C. EL	100uF 16V		ケミコン	
* C78	UR237100	C. EL	10uF 16V		ケミコン	
* C79	UR237100	C. EL	10uF 16V		ケミコン	
* C80	UR237100	C. EL	10uF 16V		ケミコン	
* C81	UT952100	C. PP	100pF 100V		P Pコン	
* C82	UT952100	C. PP	100pF 100V		P Pコン	
* C83	UT952220	C. PP	220pF 100V		P Pコン	
* C84	UT952220	C. PP	220pF 100V		P Pコン	
* C85	UR268100	C. EL	100uF 50V		ケミコン	
* C86	UR268100	C. EL	100uF 50V		ケミコン	
C87	VP847100	C. PP	2200pF 100V		P Pコン	01
C88	VP847100	C. PP	2200pF 100V		P Pコン	01
C89	FU451220	C. MICA	22pF 500V		マイカコン	01
C90	FU451220	C. MICA	22pF 500V		マイカコン	01
* C91	UR237100	C. EL	10uF 16V		ケミコン	
* C92	UR237100	C. EL	10uF 16V		ケミコン	
C93	UA652100	C. MYLAR	100pF 50V		マイラーコン	01
C94	UA652100	C. MYLAR	100pF 50V		マイラーコン	01
C95	UA652220	C. MYLAR	220pF 50V		マイラーコン	01
C96	UA652220	C. MYLAR	220pF 50V		マイラーコン	01
* C97	UR267470	C. EL	47uF 50V		ケミコン	
* C98	UR267470	C. EL	47uF 50V		ケミコン	
C99	UA653220	C. MYLAR	2200pF 50V		マイラーコン	01
C100	UA653220	C. MYLAR	2200pF 50V		マイラーコン	01
C101	FU451220	C. MICA	22pF 500V		マイカコン	01
C102	FU451220	C. MICA	22pF 500V		マイカコン	01
C103	VF467000	C. CE. TUBLR	1000pF 50V		円筒セラコン	01
C104	VF467000	C. CE. TUBLR	1000pF 50V		円筒セラコン	01
C105	VF467000	C. CE. TUBLR	1000pF 50V		円筒セラコン	01
C106	VF467000	C. CE. TUBLR	1000pF 50V	2400	円筒セラコン	01

* New Parts * 新規部品(マーク#の部品は、基板に含まれません)

RX-V2400/RX-V2400RDS/DSP-AX2400
 RX-V1400/RX-V1400RDS/HTR-5690/DSP-AX1400

P.C.B. POWER

Schm Ref.	PART NO.	Description	Remarks	Markets	部 品 名	Rank
C107	VF467300	C. CE. TUBLR 0.01uF 16V		UCA	円筒セラコン	01
C108	VF467300	C. CE. TUBLR 0.01uF 16V		UCA	円筒セラコン	01
C109	VF467300	C. CE. TUBLR 0.01uF 16V	2400	UCA	円筒セラコン	01
C110	VJ599100	C. CE. TUBLR 0.1uF 50V	2400	UCA	円筒セラコン	01
C111	VF466700	C. CE. TUBLR 47pF 50V	2400	UCA	円筒セラコン	01
C112	VF466700	C. CE. TUBLR 47pF 50V	2400	UCA	円筒セラコン	01
C113	VF466700	C. CE. TUBLR 47pF 50V	2400	UCA	円筒セラコン	01
* C114	UR268100	C. EL 100uF 50V			ケミコン	
* C115	UR267100	C. EL 10uF 50V			ケミコン	
* C116	UR267100	C. EL 10uF 50V			ケミコン	
* C117	UR258470	C. EL 470uF 35V			ケミコン	
C118	UA652220	C. MYLAR 220pF 50V			マイラーコン	01
D1	VG437300	D10DE. ZENR MTZJ5.1A 5.1V			ツェナーダイオード	01
D2	VD631600	D10DE 1SS133, 176		RL	ダイオード	01
D3	VG439500	D10DE. ZENR MTZJ10B 10V		RL	ツェナーダイオード	01
D4	VG438100	D10DE. ZENR MTZJ6.2C 6.2V		RL	ツェナーダイオード	01
D5	VS997800	D10DE 1T2		RL	ダイオード	
D6	VD631600	D10DE 1SS133, 176			ダイオード	01
D7	VS997800	D10DE 1T2			ダイオード	
D8	VS997800	D10DE 1T2			ダイオード	
D9	VS997800	D10DE 1T2			ダイオード	
D10	VS997800	D10DE 1T2			ダイオード	
D11	VD631600	D10DE 1SS133, 176			ダイオード	01
D21	VG437200	D10DE. ZENR MTZJ4.7C 4.7V			ツェナーダイオード	01
D22	VD631600	D10DE 1SS133, 176			ダイオード	01
D23	VD631600	D10DE 1SS133, 176			ダイオード	01
D24	VD631600	D10DE 1SS133, 176			ダイオード	01
D25	VG440300	D10DE. ZENR MTZJ12C 12V			ツェナーダイオード	01
D26	VD631600	D10DE 1SS133, 176			ダイオード	01
D27	VG441200	D10DE. ZENR MTZJ16C 16V			ツェナーダイオード	01
D28	VD631600	D10DE 1SS133, 176			ダイオード	01
D29	WA180300	D10DE 1SS244			ダイオード	
D30	WA180300	D10DE 1SS244			ダイオード	
D31	WA180300	D10DE 1SS244			ダイオード	
△ D32	V4269600	D10DE. BRG D2SBA20 1.5A 200V			ダイオードブリッジ	
△ D33	V4269600	D10DE. BRG D2SBA20 1.5A 200V			ダイオードブリッジ	
D34	VG441000	D10DE. ZENR MTZJ16A 16V		J	ツェナーダイオード	01
D34	VG443200	D10DE. ZENR MTZJ30A 30V		UCRTKABGL	ツェナーダイオード	
D34	VG443200	D10DE. ZENR MTZJ30A 30V		UCRTKABGL	ツェナーダイオード	01
D35	VG439300	D10DE. ZENR MTZJ9.1C 9.1V		J	ツェナーダイオード	01
D35	VG440700	D10DE. ZENR MTZJ15A 15V		UCRTKABGL	ツェナーダイオード	
D36	VG435900	D10DE. ZENR MTZJ3.0B 3.0V			ツェナーダイオード	01
D37	VD631600	D10DE 1SS133, 176			ダイオード	01
D38	VD631600	D10DE 1SS133, 176			ダイオード	01
D39	VD631600	D10DE 1SS133, 176			ダイオード	01
D44	VD631600	D10DE 1SS133, 176		UCA	ダイオード	01
D45	VD631600	D10DE 1SS133, 176	2400	UCA	ダイオード	01
D46	VD631600	D10DE 1SS133, 176		UCA	ダイオード	01
D47	VD631600	D10DE 1SS133, 176		UCA	ダイオード	01
D48	VD631600	D10DE 1SS133, 176		UCA	ダイオード	01
D49	VD631600	D10DE 1SS133, 176	2400	UCA	ダイオード	01
D50	VG442600	D10DE. ZENR MTZJ24C 24V			ツェナーダイオード	01
D51	VG438700	D10DE. ZENR MTZJ7.5C 7.5V		UCRTKABGL	ツェナーダイオード	01

* New Parts * 新規部品(マーク#の部品は、基板に含まれません)

P.C.B. POWER

Schm Ref.	PART NO.	Description	Remarks	Markets	部 品 名	Rank
D52	VD631600	DIODE	1SS133, 176		UCRTKABGL ダイオード	01
D53	VD631600	DIODE	1SS133, 176		UCRTKABGL ダイオード	01
D54	VS997800	DIODE	1T2		ダイオード	
F1	VS823400	FUSE	10A 125V	JUCRL	ヒューズ	
F1	KB003240	FUSE	T5.0A 250V	TKABGL	ヒューズ	
F2	VS823400	FUSE	10A 125V	UCG	ヒューズ	01
F2	VS823400	FUSE	10A 125V	UC	ヒューズ	
F2	VT942900	FUSE	T2.5A 250V	G	ヒューズ	
F3	KB003240	FUSE	T5.0A 250V	RL	ヒューズ	
△ IC21	XJ607A00	IC	NJM7805FA 5V		IC	02
△ IC22	XJ607A00	IC	NJM7805FA 5V		IC	02
△ IC23	XJ608A00	IC	NJM7812FA		IC	02
△ IC24	XD343A00	IC	NJM79M12FA		IC	03
△ IC25	XJ607A00	IC	NJM7805FA 5V		IC	02
△ IC26	XE436A00	IC	NJM79M05FA		IC	03
JK1	VS867300	CN	4P YKF51-5501	UCA	ミニDINコネクタ	
JK2	V9435700	JACK. MNI	MSJ-035-12APC	UCA	モノラル ミニジャック	
JK3	V9435700	JACK. MNI	MSJ-035-12APC	UCA	モノラル ミニジャック	
JK4	V9435700	JACK. MNI	MSJ-035-12APC	UCA	モノラル ミニジャック	
JK5	V9435700	JACK. MNI	MSJ-035-12APC	UCA	モノラル ミニジャック	
JK6	V9435700	JACK. MNI	MSJ-035-12APC	UCA	モノラル ミニジャック	
JK7	V9435700	JACK. MNI	MSJ-035-12APC	UCA	モノラル ミニジャック	
PJ1	VN134600	JACK. PIN	1P	UCA	ピンジャック	
Q1	VC938500	TR	2SC3852	RL	トランジスタ	02
Q2	iC174020	TR	2SC1740S R, S		トランジスタ	01
Q3	VC938500	TR	2SC3852	RL	トランジスタ	02
Q4	iE102620	FET	2SK246 Y	RL	F E T	
Q5	iE102620	FET	2SK246 Y	RL	F E T	
Q6	iC174020	TR	2SC1740S R, S		トランジスタ	01
△ Q21	V4096100	TR	2SC4614 S, T		トランジスタ	
Q22	VP883100	TR	2SC1890A D, E		トランジスタ	01
△ Q23	VC938500	TR	2SC3852		トランジスタ	02
Q24	VP883000	TR	2SA893A D, E		トランジスタ	
△ Q25	VC614000	TR	2SB1274 Q, R, S		トランジスタ	02
Q26	VP883100	TR	2SC1890A D, E		トランジスタ	01
Q27	VP883100	TR	2SC1890A D, E		トランジスタ	01
Q28	VP883100	TR	2SC1890A D, E		トランジスタ	01
Q29	VP883000	TR	2SA893A D, E		トランジスタ	
Q30	VP883100	TR	2SC1890A D, E		トランジスタ	01
Q31	VP883100	TR	2SC1890A D, E		トランジスタ	01
Q32	VP883100	TR	2SC1890A D, E		トランジスタ	01
Q33	VP883100	TR	2SC1890A D, E		トランジスタ	01
Q34	V3966800	TR	2SB949 O, Y		トランジスタ	
Q35	V3966800	TR	2SB949 O, Y		トランジスタ	
Q36	V3966800	TR	2SB949 O, Y		トランジスタ	
Q37	iA097030	TR	2SA970 GR, BL		トランジスタ	01
△ Q38	VC938500	TR	2SC3852		トランジスタ	02
Q39	VP883100	TR	2SC1890A D, E		トランジスタ	01
Q40	VP883100	TR	2SC1890A D, E		トランジスタ	01
Q41	VP883100	TR	2SC1890A D, E		トランジスタ	01
Q42	VP883100	TR	2SC1890A D, E		トランジスタ	01
Q43	V3966800	TR	2SB949 O, Y		トランジスタ	
Q44	V3966800	TR	2SB949 O, Y		トランジスタ	

* New Parts * 新規部品(マーク#の部品は、基板に含まれません)

P.C.B. POWER

Schm Ref.	PART NO.	Description	Remarks	Markets	部 品 名	Rank
Q45	VP883100	TR	2SC1890A D,E		トランジスタ	01
Q46	VP883100	TR	2SC1890A D,E		トランジスタ	01
△ Q47	VP883100	TR	2SC1890A D,E		トランジスタ	01
Q48	VP883100	TR	2SC1890A D,E		トランジスタ	01
Q49	V3966800	TR	2SB949 O,Y		トランジスタ	
Q50	V3966800	TR	2SB949 O,Y		トランジスタ	
Q51	VP872600	TR	2SA1708 S,T	UCA	トランジスタ	
Q52	VP872600	TR	2SA1708 S,T	UCA	トランジスタ	
Q53	VG722000	TR.DGT	DTC144ES	UCA	デジタルトランジスタ	03
Q54	VG722000	TR.DGT	DTC144ES	UCA	デジタルトランジスタ	03
Q55	VC141900	TR	2SB941 P,Q		トランジスタ	02
Q56	iC181510	TR	2SC1815 Y		トランジスタ	01
Q57	VP883100	TR	2SC1890A D,E	UCRTKABGL	トランジスタ	01
R8	V6730000	R. CAR.	2. 2MΩ 1/2W	UC	放電抵抗	
R28	HV756150	R. CAR. FP	1. 5KΩ 1/4W		不燃化カーボン抵抗	
△ R47	HV754100	R. CAR. FP	10Ω 1/4W		不燃化カーボン抵抗	01
△ R49	HV754100	R. CAR. FP	10Ω 1/4W		不燃化カーボン抵抗	01
R50	V8072000	R. MTL. OXD	4. 7KΩ 1W		酸化金属被膜抵抗	
R67	HV754470	R. CAR. FP	47Ω 1/4W		不燃化カーボン抵抗	01
R68	HV754470	R. CAR. FP	47Ω 1/4W		不燃化カーボン抵抗	01
R69	VP940200	R. MTL. OXD	47Ω 1W		酸化金属被膜抵抗	01
△ R89	VP939500	R. MTL. FLM	1Ω 1W		金属被膜抵抗	
△ R91	VP939500	R. MTL. FLM	1Ω 1W		金属被膜抵抗	
△ R92	HV753100	R. CAR. FP	1Ω 1/4W		不燃化カーボン抵抗	
△ R93	HV753100	R. CAR. FP	1Ω 1/4W		不燃化カーボン抵抗	
△ R94	VP939500	R. MTL. FLM	1Ω 1W		金属被膜抵抗	
△ R95	VP939500	R. MTL. FLM	1Ω 1W		金属被膜抵抗	
* R103	VC756700	R. MTL. OXD	15Ω 2W		酸化金属被膜抵抗	01
* R104	VC756700	R. MTL. OXD	15Ω 2W		酸化金属被膜抵抗	01
R125	VP940200	R. MTL. OXD	47Ω 1W		酸化金属被膜抵抗	01
R126	VP940200	R. MTL. OXD	47Ω 1W		酸化金属被膜抵抗	01
R153	HV754470	R. CAR. FP	47Ω 1/4W		不燃化カーボン抵抗	01
R154	HV754470	R. CAR. FP	47Ω 1/4W		不燃化カーボン抵抗	01
R177	HV754100	R. CAR. FP	10Ω 1/4W		不燃化カーボン抵抗	01
R179	HV756330	R. CAR. FP	3. 3KΩ 1/4W		不燃化カーボン抵抗	01
R181	HV756470	R. CAR. FP	4. 7KΩ 1/4W		不燃化カーボン抵抗	01
R182	HV755100	R. CAR. FP	100Ω 1/4W		不燃化カーボン抵抗	01
R183	VP939800	R. MTL. OXD	10Ω 1W		酸化金属被膜抵抗	01
RY1	V9366900	RELAY	DLS9D1-0(M)0. 25W		リレー 9V TV-8	
ST1	V4040500	SCR. TERM	M3		スクリュー/ターミナル	
ST2	V4040500	SCR. TERM	M3		スクリュー/ターミナル	
ST3	V4040500	SCR. TERM	M3		スクリュー/ターミナル	
ST4	V4040500	SCR. TERM	M3	UCA	スクリュー/ターミナル	
ST5	V4040500	SCR. TERM	M3	UCA	スクリュー/ターミナル	
* SW1	WB493700	VOLT. SELCT	R8140246	RL	電圧切替器	
T1	X2935A00	TRANS		J	サブトランス	
T1	X2936A00	TRANS		UC	サブトランス	
T1	X2937A00	TRANS		RL	サブトランス	
* T1	X4452A00	TRANS		TK	サブトランス	
T1	X2938A00	TRANS		A	サブトランス	
T1	X2939A00	TRANS		BG	サブトランス	
TE1	VU543100	OUTLET.AC	2P	JUC	ACアウトレット	
TE1	V5867400	OUTLET.AC	2P AC-182-GB-11V	RTK	ACアウトレット 2P	

* New Parts * 新規部品(マーク#の部品は、基板に含まれません)

P.C.B. POWER & P.C.B. VIDEO

Schm Ref.	PART NO.	Description	Remarks	Markets	部 品 名	Rank	
TE1	VT915000	OUTLET. AC	1P		A	AC アウトレット	
TE1	VU543300	OUTLET. AC	1P		B	AC アウトレット	
TE1	VU543400	OUTLET. AC	2P		GL	AC アウトレット	
* TE2	WB782600	AC INLET	R-30190 (26)		JUCG	AC インレット 2 P	
* TE2	WB893300	AC INLET	R-30190		J	AC インレット 2 P	
* TE2	WB782600	AC INLET	R-30190 (26)		UCG	AC インレット 2 P	
	EP600140	SCR. BND. HD	3x10 MFZN2BL			バインド B タイトネジ	01
* * * * *	WB727300	P. C. B.	VIDEO	2400	J	P C B ビデオ	
* * * * *	WB727400	P. C. B.	VIDEO	2400	UC	P C B ビデオ	
* * * * *	WB727500	P. C. B.	VIDEO	2400	R	P C B ビデオ	
* * * * *	WB727600	P. C. B.	VIDEO	2400	T	P C B ビデオ	
* * * * *	WB727800	P. C. B.	VIDEO	2400	K	P C B ビデオ	
* * * * *	WB727900	P. C. B.	VIDEO	2400	A	P C B ビデオ	
* * * * *	WB728000	P. C. B.	VIDEO	2400	BG	P C B ビデオ	
* * * * *	WB728100	P. C. B.	VIDEO	2400	L	P C B ビデオ	
* * * * *	WB728200	P. C. B.	VIDEO	1400, 5690	J	P C B ビデオ	
* * * * *	WB728300	P. C. B.	VIDEO	1400, 5690	UC	P C B ビデオ	
* * * * *	WB728400	P. C. B.	VIDEO	1400, 5690	R	P C B ビデオ	
* * * * *	WB728500	P. C. B.	VIDEO	1400, 5690	T	P C B ビデオ	
* * * * *	WB728600	P. C. B.	VIDEO	1400, 5690	K	P C B ビデオ	
* * * * *	WB728700	P. C. B.	VIDEO	1400, 5690	A	P C B ビデオ	
* * * * *	WB728800	P. C. B.	VIDEO	1400, 5690	BG	P C B ビデオ	
* * * * *	WB728900	P. C. B.	VIDEO	1400, 5690	L	P C B ビデオ	
* CB501	V7827800	SOCKET	11P SE TUC SERIES			コネクタースocket	
CB502	V7827800	SOCKET	11P SE TUC SERIES			コネクタースocket	
CB541	V7826100	CN	11P TE TUC SERIES			コネクタープラグ	
CB542	V7827800	SOCKET	11P SE TUC SERIES			コネクタースocket	
CB543	V7826100	CN	11P TE TUC SERIES			コネクタープラグ	
CB544	V7827800	SOCKET	11P SE TUC SERIES			コネクタースocket	
* CB551	V7826700	CN	17P TE TUC SERIES			コネクタープラグ	
CB552	V7826800	CN	18P TE TUC SERIES			コネクタープラグ	
CB553	V7826200	CN	12P TE TUC SERIES			コネクタープラグ	
CB554	VQ044300	CN. BS. PIN	7P			F F C コネクタ	
CB555	VN066500	CN. BS. PIN	12P		UCA	コネクタ	01
CB556	V7826000	CN	10P TE TUC SERIES			コネクタープラグ	
CB557	V7826200	CN	12P TE TUC SERIES			コネクタープラグ	
CB558	VM929900	CN. BS. PIN	15P			F P C コネクタ	01
CB601	V7827200	SOCKET	5P TE TUC SERIES			コネクタースocket	
CB602	V7827900	SOCKET	12P TE TUC SERIES			コネクタースocket	
CB603	VQ044300	CN. BS. PIN	7P			F F C コネクタ	
CB605	V7828000	SOCKET	13P SE TUC SERIES			コネクタースocket	
CB701	V7827900	SOCKET	12P TE TUC SERIES			コネクタースocket	
CB702	V7828000	SOCKET	13P SE TUC SERIES			コネクタースocket	
CB751	V7826300	CN	13P TE TUC SERIES			コネクタープラグ	
CB752	V7826300	CN	13P TE TUC SERIES			コネクタープラグ	
CB761	V7825500	CN	5P TE TUC SERIES			コネクタープラグ	
CB762	V7825500	CN	5P TE TUC SERIES			コネクタープラグ	
CB801	VQ044300	CN. BS. PIN	7P			F F C コネクタ	
CB802	LB919030	CN. BS. PIN	3P			ベース付ポスト	01
CB803	VQ044600	CN. BS. PIN	13P			F F C コネクタ	

* New Parts * 新規部品 (マーク#の部品は、基板に含まれません)

RX-V2400/RX-V2400RDS/DSP-AX2400
 RX-V1400/RX-V1400RDS/HTR-5690/DSP-AX1400

P.C.B. VIDEO

Schm Ref.	PART NO.	Description	Remarks	Markets	部 品 名	Rank	
CB804	V6509500	SOCKET	9P SE 3170	2400		コネクタソケット	
C503	UA652470	C. MYLAR	470pF 50V			マイラーコン	01
C504	UA652470	C. MYLAR	470pF 50V			マイラーコン	01
C505	UA652470	C. MYLAR	470pF 50V			マイラーコン	01
C506	UA652470	C. MYLAR	470pF 50V			マイラーコン	01
C507	UA652470	C. MYLAR	470pF 50V			マイラーコン	01
C508	UA652470	C. MYLAR	470pF 50V			マイラーコン	01
C509	UA652470	C. MYLAR	470pF 50V			マイラーコン	01
C510	UA652470	C. MYLAR	470pF 50V			マイラーコン	01
C511	UA652100	C. MYLAR	100pF 50V			マイラーコン	01
C512	UA652100	C. MYLAR	100pF 50V			マイラーコン	01
C513	UA652470	C. MYLAR	470pF 50V			マイラーコン	01
C514	UA652470	C. MYLAR	470pF 50V			マイラーコン	01
C515	UA652100	C. MYLAR	100pF 50V			マイラーコン	01
C516	UA652100	C. MYLAR	100pF 50V			マイラーコン	01
C517	UA652470	C. MYLAR	470pF 50V		UCA	マイラーコン	01
C518	UA652470	C. MYLAR	470pF 50V		UCA	マイラーコン	01
C519	UA652470	C. MYLAR	470pF 50V		UCA	マイラーコン	01
C520	UA652470	C. MYLAR	470pF 50V		UCA	マイラーコン	01
* C551	UR237470	C. EL	47uF 16V			ケミコン	
* C552	UR266220	C. EL	2. 2uF 50V			ケミコン	
* C553	UR237470	C. EL	47uF 16V			ケミコン	
* C554	UR237470	C. EL	47uF 16V		BG	ケミコン	
* C555	UR237470	C. EL	47uF 16V		BG	ケミコン	
* C556	UR237470	C. EL	47uF 16V		BG	ケミコン	
* C601	UR219100	C. EL	1000uF 6. 3V			ケミコン	
* C602	UR218100	C. EL	100uF 6. 3V			ケミコン	
* C603	UR218100	C. EL	100uF 6. 3V			ケミコン	
* C604	UR237470	C. EL	47uF 16V	2400	UCA	ケミコン	
* C605	UR266470	C. EL	4. 7uF 50V			ケミコン	
* C606	UR266470	C. EL	4. 7uF 50V			ケミコン	
* C607	UR237470	C. EL	47uF 16V			ケミコン	
* C608	UR218100	C. EL	100uF 6. 3V			ケミコン	
* C609	UR218100	C. EL	100uF 6. 3V			ケミコン	
* C610	UR237470	C. EL	47uF 16V			ケミコン	
* C611	UR218100	C. EL	100uF 6. 3V			ケミコン	
* C612	UR218100	C. EL	100uF 6. 3V			ケミコン	
* C613	UR218100	C. EL	100uF 6. 3V			ケミコン	
* C614	UR237470	C. EL	47uF 16V			ケミコン	
* C615	UR237100	C. EL	10uF 16V			ケミコン	
* C616	UR218100	C. EL	100uF 6. 3V			ケミコン	
* C617	UR266100	C. EL	1uF 50V			ケミコン	
* C618	UR266100	C. EL	1uF 50V			ケミコン	
* C619	UR237100	C. EL	10uF 16V			ケミコン	
* C620	UR266470	C. EL	4. 7uF 50V			ケミコン	
* C621	UR218100	C. EL	100uF 6. 3V			ケミコン	
* C622	UR218330	C. EL	330uF 6. 3V			ケミコン	
* C661	UR266470	C. EL	4. 7uF 50V			ケミコン	
* C701	UR219100	C. EL	1000uF 6. 3V			ケミコン	
* C702	UR218100	C. EL	100uF 6. 3V			ケミコン	
* C703	UR218100	C. EL	100uF 6. 3V			ケミコン	
* C704	UR218100	C. EL	100uF 6. 3V			ケミコン	
* C705	UR237470	C. EL	47uF 16V			ケミコン	

* New Parts * 新規部品(マーク#の部品は、基板に含まれません)

RX-V2400/RX-V2400RDS/DSP-AX2400
RX-V1400/RX-V1400RDS/HTR-5690/DSP-AX1400

P.C.B. VIDEO

Schm Ref.	PART NO.	Description	Remarks	Markets	部 品 名	Rank	
* C706	UR237470	C. EL	47uF 16V	2400	UCA	ケミコン	
* C707	UR218100	C. EL	100uF 6.3V			ケミコン	
* C708	UR237470	C. EL	47uF 16V			ケミコン	
* C801	UR237470	C. EL	47uF 16V	2400		ケミコン	
C807	UA652470	C. MYLAR	470pF 50V			マイラーコン	01
C808	UA652470	C. MYLAR	470pF 50V			マイラーコン	01
C809	UA652470	C. MYLAR	470pF 50V			マイラーコン	01
C810	UA652470	C. MYLAR	470pF 50V			マイラーコン	01
C811	UA652470	C. MYLAR	470pF 50V			マイラーコン	01
C812	VE326800	C. MYLAR. ML	0.47uF 50V			積層マイラーコン	01
C813	UA652470	C. MYLAR	470pF 50V			マイラーコン	01
C814	UA652470	C. MYLAR	470pF 50V			マイラーコン	01
D551	VU172000	D10DE. ZENR	UDZS5.6BTE-17 5.6V			ツェナーダイオード	01
D601	VT332900	D10DE	1SS355			ダイオード	
D602	VT332900	D10DE	1SS355			ダイオード	
D603	VT332900	D10DE	1SS355			ダイオード	
D604	VT332900	D10DE	1SS355			ダイオード	
D605	VT332900	D10DE	1SS355			ダイオード	
D606	VT332900	D10DE	1SS355			ダイオード	
D607	VT332900	D10DE	1SS355			ダイオード	
D608	VT332900	D10DE	1SS355			ダイオード	
D609	VT332900	D10DE	1SS355			ダイオード	
D611	VT332900	D10DE	1SS355			ダイオード	
D612	VT332900	D10DE	1SS355			ダイオード	
IC551	X2896A00	IC. CPU	M62320FP I/O PORT			CPU/周辺IC	
IC552	XY534A00	IC	LC72722		BG	RDSデコーダIC	
IC601	XW939A00	IC	TK15420M VIDEO AMP			アンプIC SOP	
IC602	XY550A00	IC	MM74HC4051SJX			ロジックIC SOP	
IC603	XY550A00	IC	MM74HC4051SJX			ロジックIC SOP	
IC604	XY550A00	IC	MM74HC4051SJX	2400		ロジックIC SOP	
IC605	XY550A00	IC	MM74HC4051SJX	2400		ロジックIC SOP	
IC606	XY877A00	IC	MM74HC4053SJX	2400	UCA	ロジックIC SOP	
IC607	XY877A00	IC	MM74HC4053SJX			ロジックIC SOP	
IC608	XD598A00	IC	TC74HCU04AFEL INV			ロジックIC	
IC609	XY443A00	IC	LA7109 6CH			アンプIC SOP	
IC610	XY877A00	IC	MM74HC4053SJX			ロジックIC SOP	
IC611	XZ060A00	IC	LC74781-9798			IC SDIP	
IC612	XW939A00	IC	TK15420M VIDEO AMP			アンプIC SOP	
IC701	XW911A00	IC	LA7108M VIDEO AMP			アンプIC	
IC702	XY877A00	IC	MM74HC4053SJX	2400	UCA	ロジックIC SOP	
IC703	XY550A00	IC	MM74HC4051SJX			ロジックIC SOP	
IC704	XY550A00	IC	MM74HC4051SJX	2400		ロジックIC SOP	
IC705	XW416A00	IC	BU2092 SER/PAR			ロジックIC	
IC801	XW863A00	IC	ADM202JRN-REEL7	2400		IC	
JK601	VR406200	CN. DIN	4P YKF51-5526	2400	J	DINコネクタ	02
JK601	VS867300	CN. DIN	4P YKF51-5501	2400	UCRTKABGL	DINコネクタ	
JK601	VS867300	CN. DIN	4P YKF51-5501	1400, 5690		DINコネクタ	03
JK602	V9248800	CN. DIN	2P YKF51-5604	2400	J	DINコネクタ 2P	
JK602	V9273500	CN. DIN	2P YKF51-5605	2400	UCRTKABGL	DINコネクタ 2P	
JK602	V9273500	CN. DIN	2P YKF51-5605	1400, 5690		DINコネクタ 2P	
JK603	V9248800	CN. DIN	2P YKF51-5604	2400	J	DINコネクタ 2P	
JK603	V9273500	CN. DIN	2P YKF51-5605	2400	UCRTKABGL	DINコネクタ 2P	
JK603	V9273500	CN. DIN	2P YKF51-5605	1400, 5690		DINコネクタ 2P	

* New Parts * 新規部品(マーク#の部品は、基板に含まれません)

P.C.B. VIDEO

Schm Ref.	PART NO.	Description	Remarks	Markets	部 品 名	Rank	
JK604	V9248800	CN. DIN	2P YKF51-5604	2400	J	D I Nコネクタ 2 P	
JK604	V9273500	CN. DIN	2P YKF51-5605	2400	UCRTKABGL	D I Nコネクタ 2 P	
JK604	V9273500	CN. DIN	2P YKF51-5605	1400, 5690		D I Nコネクタ 2 P	
JK605	V9248800	CN. DIN	2P YKF51-5604	2400	J	D I Nコネクタ 2 P	
JK605	V9273500	CN. DIN	2P YKF51-5605	2400	UCRTKABGL	D I Nコネクタ 2 P	
JK605	V9273500	CN. DIN	2P YKF51-5605	1400, 5690		D I Nコネクタ 2 P	
PJ501	V5634800	JACK. PIN	6P	2400	J	ピンジャック	
PJ501	V7046800	JACK. PIN	6P MSP-246V1-01N	2400	UCRTKABGL	ピンジャック 6 P	
PJ501	V7046800	JACK. PIN	6P MSP-246V1-01N	1400, 5690		ピンジャック 6 P	
PJ502	V9796700	JACK. PIN	4P MSP-244V1-03 GI	2400	J	ピンジャック 4 P	
PJ502	V7046700	JACK. PIN	4P MSP-244V1-01NI	2400	UCRTKABGL	ピンジャック 4 P	
PJ502	V7046700	JACK. PIN	4P MSP-244V1-01NI	1400, 5690		ピンジャック 4 P	
PJ503	V9796700	JACK. PIN	4P MSP-244V1-03 GI	2400	J	ピンジャック 4 P	
PJ503	V7046700	JACK. PIN	4P MSP-244V1-01NI	2400	UCRTKABGL	ピンジャック 4 P	
PJ503	V7046700	JACK. PIN	4P MSP-244V1-01NI	1400, 5690		ピンジャック 4 P	
PJ504	V7046700	JACK. PIN	MSP-244V1-01NI		UCA	ピンジャック 4 P	
PJ701	VU144200	JACK. PIN	1P	2400	J	ピンジャック	
PJ701	VN134600	JACK. PIN	1P	2400	UCRTKABGL	ピンジャック	
PJ701	VN134600	JACK. PIN	1P	1400, 5690		ピンジャック	01
* PJ702	V9626000	JACK. PIN	RJ-1078-04-0551A	2400	J	ピンジャック 2 P	
PJ702	VV325000	JACK. PIN	2P	2400	UCRTKABGL	ピンジャック	
PJ702	VV325000	JACK. PIN	2P	1400, 5690		ピンジャック	03
* PJ703	V9626000	JACK. PIN	RJ-1078-04-0551A	2400	J	ピンジャック 2 P	
PJ703	VV325000	JACK. PIN	2P	2400	UCRTKABGL	ピンジャック	
PJ703	VV325000	JACK. PIN	2P	1400, 5690		ピンジャック	03
* PJ704	V9626000	JACK. PIN	RJ-1078-04-0551A	2400	J	ピンジャック 2 P	
PJ704	VV325000	JACK. PIN	2P	2400	UCRTKABGL	ピンジャック	
PJ704	VV325000	JACK. PIN	2P	1400, 5690		ピンジャック	03
* PJ705	V9626000	JACK. PIN	RJ-1078-04-0551A	2400	J	ピンジャック 2 P	
PJ705	VV325000	JACK. PIN	2P	2400	UCRTKABGL	ピンジャック	
PJ705	VV325000	JACK. PIN	2P	1400, 5690		ピンジャック	03
PJ801	V9796700	JACK. PIN	MSP-244V1-03 GILT	2400	J	ピンジャック 4 P	
PJ801	V7046700	JACK. PIN	MSP-244V1-01NI	2400	UCRTKABGL	ピンジャック 4 P	
PJ801	V7046700	JACK. PIN	MSP-244V1-01NI	1400, 5690		ピンジャック 4 P	
* PJ802	WB791700	JACK. PIN	RJ-1073-39-0551A	2400	J	ピンジャック 4 P	
* PJ802	V5479100	JACK. PIN	RJ-1073-39-0351A	2400	UCRTKABGL	ピンジャック 4 P	
* PJ802	V5479100	JACK. PIN	RJ-1073-39-0351A	1400, 5690		ピンジャック 4 P	
Q551	iC181510	TR	2SC1815 Y			トランジスタ	01
Q552	iC174020	TR	2SC1740S R, S			トランジスタ	01
Q553	iC174020	TR	2SC1740S R, S		BG	トランジスタ	01
Q601	iC174020	TR	2SC1740S R, S			トランジスタ	01
Q602	iC174020	TR	2SC1740S R, S			トランジスタ	01
Q604	iC174020	TR	2SC1740S R, S			トランジスタ	01
Q605	iC174020	TR	2SC1740S R, S			トランジスタ	01
Q606	iC174020	TR	2SC1740S R, S			トランジスタ	01
Q607	iC053540	TR	2SC535 A, B, C			トランジスタ	01
Q608	iA101510	TR	2SA1015 Y			トランジスタ	01
Q609	iC224030	TR	2SC2240 GR, BL			トランジスタ	01
Q701	iC174020	TR	2SC1740S R, S			トランジスタ	01
R570	HV754470	R. CAR. FP	47Ω 1/4W			不燃化カーボン抵抗	01
R631	HV755270	R. CAR. FP	270Ω 1/4W			不燃化カーボン抵抗	01
R634	HV755470	R. CAR. FP	470Ω 1/4W			不燃化カーボン抵抗	01
R650	HV755220	R. CAR. FP	220Ω 1/4W			不燃化カーボン抵抗	01

* New Parts * 新規部品(マーク#の部品は、基板に含まれません)

RX-V2400/RX-V2400RDS/DSP-AX2400
RX-V1400/RX-V1400RDS/HTR-5690/DSP-AX1400

P.C.B. VIDEO & P.C.B. CONVERSION

Schm Ref.	PART NO.	Description	Remarks	Markets	部 品 名	Rank
R651	HV755470	R. CAR. FP 470 Ω 1/4W			不燃化カーボン抵抗	01
R657	HV755220	R. CAR. FP 220 Ω 1/4W			不燃化カーボン抵抗	01
R661	HV755470	R. CAR. FP 470 Ω 1/4W			不燃化カーボン抵抗	01
R664	HV753100	R. CAR. FP 1 Ω 1/4W			不燃化カーボン抵抗	01
R666	HV753100	R. CAR. FP 1 Ω 1/4W			不燃化カーボン抵抗	01
R668	HV753220	R. CAR. FP 2.2 Ω 1/4W			不燃化カーボン抵抗	01
R669	HV753220	R. CAR. FP 2.2 Ω 1/4W			不燃化カーボン抵抗	01
R671	HV753220	R. CAR. FP 2.2 Ω 1/4W			不燃化カーボン抵抗	01
R678	HV755470	R. CAR. FP 470 Ω 1/4W			不燃化カーボン抵抗	01
R681	HV755470	R. CAR. FP 470 Ω 1/4W			不燃化カーボン抵抗	01
R684	HV755470	R. CAR. FP 470 Ω 1/4W			不燃化カーボン抵抗	01
R695	HV753100	R. CAR. FP 1 Ω 1/4W			不燃化カーボン抵抗	01
R713	HV755270	R. CAR. FP 270 Ω 1/4W			不燃化カーボン抵抗	01
R718	HV753100	R. CAR. FP 1 Ω 1/4W			不燃化カーボン抵抗	01
R719	HV753100	R. CAR. FP 1 Ω 1/4W			不燃化カーボン抵抗	01
ST801	V4040500	SCR. TERM M3			スクリュー/ターミナル	
SW801	VY811700	SW. SLIDE SS029-P2022BJ6-PA6		RL	スライドSW	
XL551	V7556000	RSNR. CRY5 4.332MHz HC-49U		BG	水晶振動子	
XL601	V9018400	RSNR. CRY5 14.3181MHz		JUCRK	水晶振動子	
* XL601	V9018500	RSNR. CRY5 17.7344MHz		TABGL	水晶振動子	
* * * * *	WB729000	P. C. B. CONVERSION	2400	J	P C B コンバージョン	
* * * * *	WB729100	P. C. B. CONVERSION	2400	UCK	P C B コンバージョン	
* * * * *	WB729200	P. C. B. CONVERSION	2400	RTABGL	P C B コンバージョン	
* * * * *	WB729300	P. C. B. CONVERSION	1400, 5690	J	P C B コンバージョン	
* * * * *	WB729100	P. C. B. CONVERSION	1400, 5690	UCK	P C B コンバージョン	
* * * * *	WB729200	P. C. B. CONVERSION	1400, 5690	RTABGL	P C B コンバージョン	
* * * * *	CB801	V7684100 CM 14P SE YKF SERIES		J	D端子コネクタ	
* * * * *	CB802	V7684100 CM 14P SE YKF SERIES		J	D端子コネクタ	
* * * * *	CB803	V7684100 CM 14P SE YKF SERIES		J	D端子コネクタ	
* * * * *	CB804	V7827700 SOCKET 10P SE TUC SERIES			コネクタソケット	
* * * * *	CB805	V7827200 SOCKET 5P TE TUC SERIES			コネクタソケット	
* * * * *	C801	UR237470 C. EL 47uF 16V			ケミコン	
* * * * *	C802	UR237470 C. EL 47uF 16V			ケミコン	
* * * * *	C803	UR237470 C. EL 47uF 16V			ケミコン	
* * * * *	C804	UR238100 C. EL 100uF 16V			ケミコン	
* * * * *	C805	UR238100 C. EL 100uF 16V			ケミコン	
* * * * *	C806	UR238100 C. EL 100uF 16V			ケミコン	
* * * * *	C807	UR237470 C. EL 47uF 16V			ケミコン	
* * * * *	C808	UR237470 C. EL 47uF 16V			ケミコン	
* * * * *	C809	UR238100 C. EL 100uF 16V			ケミコン	
* * * * *	C810	UR238100 C. EL 100uF 16V			ケミコン	
* * * * *	C811	UR265470 C. EL 0.47uF 50V			ケミコン	
* * * * *	C812	UR237470 C. EL 47uF 16V			ケミコン	
* * * * *	C813	UR237470 C. EL 47uF 16V			ケミコン	
* * * * *	C813	UR237470 C. EL 47uF 16V	2400	RTABGL	ケミコン	
* * * * *	C815	UR237100 C. EL 10uF 16V			ケミコン	
* * * * *	C816	UR238100 C. EL 100uF 16V			ケミコン	
* * * * *	C817	UR237470 C. EL 47uF 16V			ケミコン	
* * * * *	C818	UR238100 C. EL 100uF 16V			ケミコン	
* * * * *	C819	UR237470 C. EL 47uF 16V			ケミコン	

* New Parts * 新規部品(マーク#の部品は、基板に含まれません)

RX-V2400/RX-V2400RDS/DSP-AX2400
 RX-V1400/RX-V1400RDS/HTR-5690/DSP-AX1400

P.C.B. CONVERSION

Schm Ref.	PART NO.	Description	Remarks	Markets	部 品 名	Rank	
* C819	UR237470	C. EL	47uF 16V	2400	RTABGL	ケミコン	
* C820	UR265470	C. EL	0.47uF 50V			ケミコン	
* C820	UR265470	C. EL	0.47uF 50V	2400	RTABGL	ケミコン	
* C821	UR265470	C. EL	0.47uF 50V			ケミコン	
* C821	UR265470	C. EL	0.47uF 50V	2400	RTABGL	ケミコン	
* C822	UR237100	C. EL	10uF 16V	2400	RTABGL	ケミコン	
* C822	UR237100	C. EL	10uF 16V			ケミコン	
* C823	UR266100	C. EL	1uF 50V			ケミコン	
* C823	UR266100	C. EL	1uF 50V	2400	RTABGL	ケミコン	
* C824	UR266220	C. EL	2.2uF 50V			ケミコン	
* C825	UR266100	C. EL	1uF 50V			ケミコン	
* C825	UR266100	C. EL	1uF 50V	2400	RTABGL	ケミコン	
* C826	UR265470	C. EL	0.47uF 50V			ケミコン	
* C826	UR265470	C. EL	0.47uF 50V	2400	RTABGL	ケミコン	
* C827	UR237470	C. EL	47uF 16V			ケミコン	
* C827	UR237470	C. EL	47uF 16V	2400	RTABGL	ケミコン	
* C828	UR266100	C. EL	1uF 50V	2400	RTABGL	ケミコン	
* C828	UR266100	C. EL	1uF 50V			ケミコン	
* C829	UR265470	C. EL	0.47uF 50V			ケミコン	
* C829	UR265470	C. EL	0.47uF 50V	2400	RTABGL	ケミコン	
* C830	UR266220	C. EL	2.2uF 50V			ケミコン	
* C831	UR238100	C. EL	100uF 16V			ケミコン	
* C896	UR237100	C. EL	10uF 16V			ケミコン	
* C905	UR237470	C. EL	47uF 16V			ケミコン	
* C906	UR237470	C. EL	47uF 16V			ケミコン	
* C907	UR237470	C. EL	47uF 16V			ケミコン	
* C908	UR237470	C. EL	47uF 16V			ケミコン	
* C909	UR237470	C. EL	47uF 16V			ケミコン	
* C910	UR237470	C. EL	47uF 16V			ケミコン	
* C911	UR237100	C. EL	10uF 16V			ケミコン	
* C916	UR218470	C. EL	470uF 6.3V			ケミコン	
D801	VT332900	D10DE	1SS355			ダイオード	
D802	VT332900	D10DE	1SS355			ダイオード	
D803	VU995300	D10DE. ZENR	MA8100-L 9.7V			ツェナーダイオード	
D804	VT332900	D10DE	1SS355			ダイオード	
D805	VT332900	D10DE	1SS355			ダイオード	
D806	VT332900	D10DE	1SS355			ダイオード	
IC801	XS790A00	IC	TC74HC4052AF MPX			ロジックIC	
IC802	XS790A00	IC	TC74HC4052AF MPX			ロジックIC	
IC803	XS790A00	IC	TC74HC4052AF MPX		J	ロジックIC	
IC804	X2904A00	IC	NJM2581M VIDEO AMP			アンプIC SOP	
* IC805	X3936A00	IC	SN74LVU04APWR			ロジックIC	
* IC806	X4349A00	IC	TC90A49F			IC デジタル	
* IC807	X4346A00	IC	TA8772AN			IC アナログ	
* IC807	X4346A00	IC	TA8772AN	2400	RTABGL	IC アナログ	
* IC808	X4347A00	IC	TA1270BF			IC アナログ	
IC809	XR150A00	IC	TC74HC4053AF			IC	
IC810	XW939A00	IC	TK15420M VIDEO AMP			アンプIC SOP	
* IC811	X3936A00	IC	SN74LVU04APWR			ロジックIC	
PJ801	V8146800	JACK PIN	SHIELD YKC21-4349		J	ピンジャック 9P	
PJ801	V8143900	JACK PIN	SHIELD YKC21-4348		UCRTKABGL	ピンジャック 9P	
Q801	VC407900	TR	2SD1913 R, S			トランジスタ	01
Q802	VV556500	TR	2SA1037K Q, R, S	2400	RTABGL	トランジスタ	

* New Parts * 新規部品(マーク#の部品は、基板に含まれません)

RX-V2400/RX-V2400RDS/DSP-AX2400
RX-V1400/RX-V1400RDS/HTR-5690/DSP-AX1400

P.C.B. CONVERSION & Chip Parts

Schm Ref.	PART NO.	Description	Remarks	Markets	部 品 名	Rank	
Q803	VV556400	TR	2SC2412K O, R, S	2400	RTABGL	トランジスタ	
Q804	VV556400	TR	2SC2412K O, R, S	2400	RTABGL	トランジスタ	
Q805	VV556400	TR	2SC2412K O, R, S			トランジスタ	
Q806	VV556500	TR	2SA1037K O, R, S			トランジスタ	
Q807	VV556400	TR	2SC2412K O, R, S			トランジスタ	
Q808	VV556400	TR	2SC2412K O, R, S			トランジスタ	
Q809	VV556400	TR	2SC2412K O, R, S			トランジスタ	
Q810	VV556400	TR	2SC2412K O, R, S			トランジスタ	
Q811	VV556500	TR	2SA1037K O, R, S			トランジスタ	
Q812	VV556500	TR	2SA1037K O, R, S			トランジスタ	
Q813	VV556400	TR	2SC2412K O, R, S			トランジスタ	
Q814	VV556400	TR	2SC2412K O, R, S			トランジスタ	
R828	HV753100	R. CAR. FP	1Ω 1/4W			不燃化カーボン抵抗	
R830	HV753100	R. CAR. FP	1Ω 1/4W			不燃化カーボン抵抗	
R833	HV753100	R. CAR. FP	1Ω 1/4W			不燃化カーボン抵抗	
R847	HV753100	R. CAR. FP	1Ω 1/4W			不燃化カーボン抵抗	
R847	HV753100	R. CAR. FP	1Ω 1/4W	2400	RTABGL	不燃化カーボン抵抗	
R848	HV753100	R. CAR. FP	1Ω 1/4W			不燃化カーボン抵抗	
R878	HV753100	R. CAR. FP	1Ω 1/4W			不燃化カーボン抵抗	
ST801	V4040500	SCR. TERM	M3			スクリュー/ターミナル	
* XL801	WB750000	RSNR. CRYST	4.433619MHz	2400	RTABGL	水晶振動子	
* XL802	WB749900	RSNR. CRYST	3.579545MHz			水晶振動子	
XL803	V5345200	RSNR. CE	CSBLA503KECZF30-B0			セラミック振動子	
	US044220	C. CE. M. CHP	0.022uF 25V			チップセラコン	01
	US060700	C. CE. CHP	7pF 50V			チップセラコン	01
	US060800	C. CE. CHP	8pF 50V			チップセラコン	01
	US061100	C. CE. M. CHP	10pF 50V			チップセラコン	01
* US061120	C. CE. CHP	12pF 50V				チップセラコン	01
	US061150	C. CE. CHP	15pF 50V			チップセラコン	01
	US061220	C. CE. M. CHP	22pF 50V			チップセラコン	01
	US061240	C. CE. CHP	24pF 50V			チップセラ (CH)	01
	US061270	C. CE. M. CHP	27pF 50V			チップセラコン	01
	US061330	C. CE. M. CHP	33pF 50V			チップセラコン	01
	US061470	C. CE. M. CHP	47pF 50V			チップセラコン	01
	US062100	C. CE. M. CHP	100pF 50V			チップセラコン	01
	US062120	C. CE. CHP	120pF 50V			チップセラコン	01
	US062180	C. CE. CHP	180P 50V			チップセラコン	01
	US062220	C. CE. CHP	220pF 50V			チップセラコン	01
	US062330	C. CE. M. CHP	330pF 50V			チップセラコン	01
	US062470	C. CE. M. CHP	470pF 50V			チップセラコン	01
	US062560	C. CE. CHP	560pF 50V			チップセラ (SL)	01
	US063100	C. CE. M. CHP	1000pF 50V			チップセラコン	01
	US063120	C. CE. M. CHP	1200pF 50V			チップセラコン	01
	US063220	C. CE. M. CHP	2200pF 50V			チップセラコン	01
	US063470	C. CE. CHP	4700pF 50V			チップセラコン	01
	US064100	C. CE. M. CHP	0.01uF 50V			チップセラコン	01
	US126100	C. CE. CHP	1uF 10V			チップセラ F	01
	US135100	C. CE. CHP	0.1uF 16V			チップセラコン	01
	US135220	C. CE. CHP	0.22uF 16V			チップセラ (F)	01

* New Parts * 新規部品(マーク#の部品は、基板に含まれません)

Chip Parts

Chip Parts

Schm Ref.	PART NO.	Description	Remarks	Markets	部 品 名	Rank
	RD350000	R. CHP	0Ω	1/16W	チップ抵抗	01
	RD353220	R. CHP	2.2Ω	1/16W	チップ抵抗	01
	RD354220	R. CHP	22Ω	1/16W	チップ抵抗	01
	RD354330	R. CHP	33Ω	1/16W	チップ抵抗	01
	RD354470	R. CHP	47Ω	1/16W	チップ抵抗	01
	RD354750	R. CHP	75Ω	1/16W	チップ抵抗	01
	RD354820	R. CHP	82Ω	1/16W	チップ抵抗	01
	RD355100	R. CHP	100Ω	1/16W	チップ抵抗	01
	RD355120	R. CHP	120Ω	1/16W	チップ抵抗	01
	RD355220	R. CHP	220Ω	1/16W	チップ抵抗	01
	RD355270	R. CHP	270Ω	1/16W	チップ抵抗	01
	RD355330	R. CHP	330Ω	1/16W	チップ抵抗	01
	RD355360	R. CHP	360Ω	1/16W	チップ抵抗	01
	RD355430	R. CHP	430Ω	1/16W	チップ抵抗	01
	RD355470	R. CHP	470Ω	1/16W	チップ抵抗	01
	RD355680	R. CHP	680Ω	1/16W	チップ抵抗	01
	RD355820	R. CHP	820Ω	1/16W	チップ抵抗	01
	RD356100	R. CHP	1KΩ	1/16W	チップ抵抗	01
	RD356120	R. CHP	1.2KΩ	1/16W	チップ抵抗	01
	RD356150	R. CHP	1.5KΩ	1/16W	チップ抵抗	01
	RD356180	R. CHP	1.8KΩ	1/16W	チップ抵抗	01
	RD356220	R. CHP	2.2KΩ	1/16W	チップ抵抗	01
	RD356270	R. CHP	2.7KΩ	1/16W	チップ抵抗	01
	RD356300	R. CHP	3KΩ	1/16W	チップ抵抗	01
	RD356330	R. CHP	3.3KΩ	1/16W	チップ抵抗	01
	RD356390	R. CHP	3.9KΩ	1/16W	チップ抵抗	01
	RD356470	R. CHP	4.7KΩ	1/16W	チップ抵抗	01
	RD356560	R. CHP	5.6KΩ	1/16W	チップ抵抗	01
	RD356680	R. CHP	6.8KΩ	1/16W	チップ抵抗	01
	RD356820	R. CHP	8.2KΩ	1/16W	チップ抵抗	01
	RD357100	R. CHP	10KΩ	1/16W	チップ抵抗	01
	RD357120	R. CHP	12KΩ	1/16W	チップ抵抗	01
	RD357150	R. CHP	15KΩ	1/16W	チップ抵抗	01
	RD357180	R. CHP	18KΩ	1/16W	チップ抵抗	01
	RD357200	R. CHP	20KΩ	1/16W	チップ抵抗	01
	RD357220	R. CHP	22KΩ	1/16W	チップ抵抗	01
	RD357270	R. CHP	27KΩ	1/16W	チップ抵抗	01
	RD357300	R. CHP	30KΩ	1/16W	チップ抵抗	01
	RD357330	R. CHP	33KΩ	1/16W	チップ抵抗	01
	RD357470	R. CHP	47KΩ	1/16W	チップ抵抗	01
	RD357560	R. CHP	56KΩ	1/16W	チップ抵抗	01
	RD358100	R. CHP	100KΩ	1/16W	チップ抵抗	01
	RD358220	R. CHP	220KΩ	1/16W	チップ抵抗	01
	RD358470	R. CHP	470KΩ	1/16W	チップ抵抗	01
	RD358680	R. CHP	680KΩ	1/16W	チップ抵抗	01
	RD359100	R. CHP	1MΩ	1/16W	チップ抵抗	01
	RD359220	R. CHP	2.2MΩ	1/16W	チップ抵抗	01
*	RF354330	R. CHP	33Ω	1/16W	チップ抵抗	01
*	RF355100	R. CHP	100Ω	1/16W	チップ抵抗	01
*	RF355150	R. CHP	150Ω	1/16W	チップ抵抗	01
*	RF355330	R. CHP	330Ω	1/16W	チップ抵抗	01
*	RF355390	R. CHP	390Ω	1/16W	チップ抵抗	01
*	RF355470	R. CHP	470Ω	1/16W	チップ抵抗	01

* New Parts * 新規部品(マーク#の部品は、基板に含まれません)

Schm Ref.	PART NO.	Description	Remarks	Markets	部 品 名	Rank
	RF356100	R. CHP	1.0KΩ	1/16W	チップ抵抗	01
	RF356120	R. CHP	1.2KΩ	1/16W	チップ抵抗	01
	RF356220	R. CHP	2.2KΩ	1/16W	チップ抵抗	01
	RF356330	R. CHP	3.3KΩ	1/16W	チップ抵抗	01
	RF356430	R. CHP	4.3KΩ	1/16W	チップ抵抗	01
	RF356470	R. CHP	4.7KΩ	1/16W	チップ抵抗	01
	RF356560	R. CHP	5.6KΩ	1/16W	チップ抵抗	01
	RF356680	R. CHP	6.8KΩ	1/16W	チップ抵抗	01
	RF357100	R. CHP	10KΩ	1/16W	チップ抵抗	01
	RF357110	R. CHP	11KΩ	1/16W	チップ抵抗	01
	RF357120	R. CHP	12KΩ	1/16W	チップ抵抗	01
	RF357470	R. CHP	47KΩ	1/16W	チップ抵抗	01
	RF357820	R. CHP	82KΩ	1/16W	チップ抵抗	01

* New Parts * 新規部品(マーク#の部品は、基板に含まれません)

RX-V2400/RX-V2400RDS/DSP-AX2400

MECHANICAL PARTS

RX-V2400/RX-V2400RDS/DSP-AX2400

Schm Ref.	PART NO.	Description	Remarks	Markets	部品名	Rank
* 3-1	WB722100	P.C.B. ASS'Y		J	P C Bメイン	
* 3-1	WB722200	P.C.B. ASS'Y		UCRTA	P C Bメイン	
* 3-1	WB722300	P.C.B. ASS'Y		KBGL	P C Bメイン	
* 6	WB725200	P.C.B. ASS'Y		J	P C Bファンクション	
* 6	WB725300	P.C.B. ASS'Y		UC	P C Bファンクション	
* 6	WB725400	P.C.B. ASS'Y		RL	P C Bファンクション	
* 6	WB725500	P.C.B. ASS'Y		TKBG	P C Bファンクション	
* 6	WB725600	P.C.B. ASS'Y		A	P C Bファンクション	
* 7	WB723100	P.C.B. ASS'Y		J	P C Bパワー	
* 7	WB723200	P.C.B. ASS'Y		UC	P C Bパワー	
* 7	WB723300	P.C.B. ASS'Y		R	P C Bパワー	
* 7	WB723400	P.C.B. ASS'Y		TK	P C Bパワー	
* 7	WB723500	P.C.B. ASS'Y		A	P C Bパワー	
* 7	WB723600	P.C.B. ASS'Y		B	P C Bパワー	
* 7	WB723700	P.C.B. ASS'Y		G	P C Bパワー	
* 7	WB723800	P.C.B. ASS'Y		L	P C Bパワー	
* 8	WB724800	P.C.B. ASS'Y		J	P C B DSP	
* 8	WB724900	P.C.B. ASS'Y		UCRTKABGL	P C B DSP	
* 9	WB727300	P.C.B. ASS'Y		J	P C Bビデオ	
* 9	WB727400	P.C.B. ASS'Y		UC	P C Bビデオ	
* 9	WB727500	P.C.B. ASS'Y		R	P C Bビデオ	
* 9	WB727600	P.C.B. ASS'Y		T	P C Bビデオ	
* 9	WB727800	P.C.B. ASS'Y		K	P C Bビデオ	
* 9	WB727900	P.C.B. ASS'Y		A	P C Bビデオ	
* 9	WB728000	P.C.B. ASS'Y		BG	P C Bビデオ	
* 9	WB728100	P.C.B. ASS'Y		L	P C Bビデオ	
* 10	WB729000	P.C.B. ASS'Y		J	P C Bコンバージョン	
* 10	WB729100	P.C.B. ASS'Y		UCK	P C Bコンバージョン	
* 10	WB729200	P.C.B. ASS'Y		RTABGL	P C Bコンバージョン	
* 11	V7424200	AM/FM TUNER	FAE350-J10F	J	AM/FM チューナ	
* 11	V7424300	AM/FM TUNER	FAE350-A10F	UCRTKL	AM/FM チューナ	
* 11	V7424400	AM/FM TUNER	FAE404-E10F	ABG	AM/FM チューナ	
* 14	X4593A00	POWER TRANSFORMER		J	電源トランス	
* 14	X4594A00	POWER TRANSFORMER		UC	電源トランス	
* 14	X4596A00	POWER TRANSFORMER		RL	電源トランス	
* 14	X4597A00	POWER TRANSFORMER		TK	電源トランス	
* 14	X4598A00	POWER TRANSFORMER		A	電源トランス	
* 14	X4599A00	POWER TRANSFORMER		BG	電源トランス	
16	VN363200	POWER CABLE	2m	R	電源コード	05
16	VZ542500	POWER CABLE	2m	T	電源コード	
16	V8013000	POWER CABLE	2m	K	電源コード	
16	V2296800	POWER CABLE	2m	A	電源コード	
16	VV437300	POWER CABLE	2m	B	電源コード	
16	VS759300	POWER CABLE	2m	L	電源コード	
17	V2438700	CORD STOPPER	10P1	RTKABL	コードストッパー	
22	V8563700	DC FAN MOTOR	3110KL-05W-B40-T21		D C ファンモーター	
* 25	MF107070	FLEXIBLE FLAT CABLE	7P 70mm P=1.25		カード電線 C & C	
* 26	MF112140	FLEXIBLE FLAT CABLE	12P 140mm P=1.25	UCA	カード電線 C & C	
* 27	MF112450	FLEXIBLE FLAT CABLE	12P 450mm P=1.25		カード電線 C & C	
* 28	MF113450	FLEXIBLE FLAT CABLE	13P 450mm P=1.25		カード電線 C & C	
* 29	MF115070	FLEXIBLE FLAT CABLE	15P 70mm P=1.25		カード電線 C & C	

* New Parts * 新規部品(マーク#の部品は、基板に含まれません)

Schm Ref.	PART NO.	Description	Remarks	Markets	部品名	Rank
30	MB019250	S FLEXIBLE FLAT CABLE	19P 250mm P=1.25		S カード電線 C & C	
31	MF117100	FLEXIBLE FLAT CABLE	17P 100mm P=1.25		カード電線 C & C	
32	MF118250	FLEXIBLE FLAT CABLE	18P 250mm P=1.25		カード電線 C & C	
35	VZ625600	BINDING TIE	SE140 L=140		インシュロックタイ	
101	V9151200	TOP COVER		GD	トップカバー	
101	V9151100	TOP COVER		BL	トップカバー	
101	V9151300	TOP COVER		TI	トップカバー	
* 103	WB315900	REAR PANEL		J	リヤパネル	
* 103	WB298800	REAR PANEL		UC	リヤパネル	
* 103	WB298900	REAR PANEL		R	リヤパネル	
* 103	WB438400	REAR PANEL		T	リヤパネル	
* 103	WB549300	REAR PANEL		K	リヤパネル	
* 103	WB299000	REAR PANEL		A	リヤパネル	
* 103	WB758300	REAR PANEL		B	リヤパネル	
* 103	WB758400	REAR PANEL		G	リヤパネル	
* 103	WB549200	REAR PANEL		L	リヤパネル	
* 120	WC051600	LEG	D56/H21	AX2400GDBL	レッグ	
120	V0042500	LEG	D60xH21	GD	レッグ	
120	VS025000	LEG	D60xH21	BL, TI	レッグ	
131	V6001700	KNOB D15		GD	ノブ/D 15	
131	V6001600	KNOB D15		BL	ノブ/D 15	
131	V7624400	KNOB D15		TI	ノブ/D 15	
132	V9124800	KNOB D47		GD	ノブ/D 47	
132	V9124700	KNOB D47		BL	ノブ/D 47	
132	V9124900	KNOB D47		TI	ノブ/D 47	
* 133	WB312400	KNOB D25		GD	ノブ/D 25	
* 133	WB312200	KNOB D25		BL	ノブ/D 25	
* 133	WB312500	KNOB D25		TI	ノブ/D 25	
134	V9125800	KNOB D26		GD	ノブ/D 26	
134	V9125700	KNOB D26		BL	ノブ/D 26	
134	V9125900	KNOB D26		TI	ノブ/D 26	
* 135	WB313000	TRANS/COVER			トランス/カバー	
136	VQ368600	PUSH RIVET	P3555-B		プッシュリベット	01
* 142	WB311100	SHEET, WINDOW			シート/ウインドウ	
* 143	WB312800	PLATE, SIDE	L+R/Set	GD	プレート/サイド	
* 143	WB312600	PLATE, SIDE	L+R/Set	BL	プレート/サイド	
* 143	WB312900	PLATE, SIDE	L+R/Set	TI	プレート/サイド	
* 144	WC062000	SPACER	10x25 t13		スペーサ	
* 145	V3198100	DAMPER	GUARD		ダンパー	
146	V8080600	CUSHION/10X20			クッション/10 X 20	
150	V8466300	COVER/AC OUTLETS		K	カバー/ACアウトレット	
151	VZ117100	DAMPER, T2	TOP-F		ダンパー/T 2	
161	VN413300	BIND HEAD BONDING B-T. SCREW	3x8 MFC2BL		ボンディングBタイトネジ	01
162	EP600830	BIND HEAD B-TIGHT SCREW	3x8 MFC2BL		バインドBタイトネジ	01
* 164	WB315000	SCREW IC	3x18-10 MFC2		スクリュー IC	
* 165	WB881000	SCREW	4x10-10 MFC2Y		スクリュー	
166	EP600250	BIND HEAD B-TIGHT SCREW	3x8 MFC2Y		バインドBタイトネジ	01
167	VT669300	PW HEAD B-TIGHT SCREW	3x8-8 MFC2		PWヘッドBタイトネジ	
169	VZ893000	SPECIAL SCREW S-TIGHT	4x8-10 MFC133	GD, TI	化粧ネジSタイト	
169	VK522000	SPECIAL SCREW S-TIGHT	4x8-10 MFC2BL	BL	化粧ネジSタイト	01
170	AA627310	GROUND TERMINAL			GNDターミナル	01

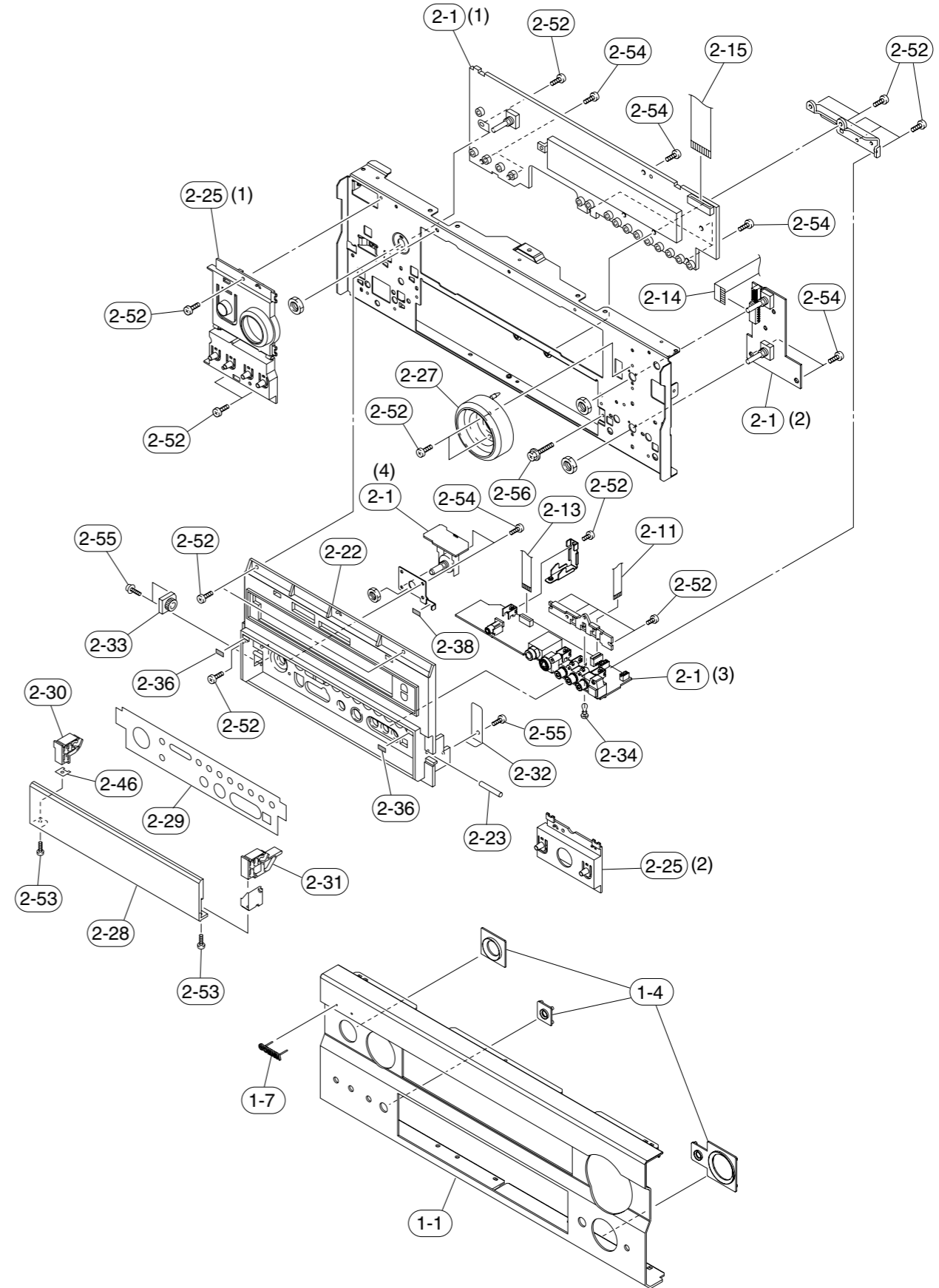
* New Parts * 新規部品(マーク#の部品は、基板に含まれません)

RX-V2400/RX-V2400RDS/DSP-AX2400

RX-V2400/RX-V2400RDS/DSP-AX2400

FRONT PANEL & SUB CHASSIS UNIT

Schm Ref.	PART NO.	Description	Remarks	Markets	部品名	Rank
171	VD069600	PW HEAD S-TIGHT SCREW	4x8-10 MFN133	GD, T1	PWヘッドSタイトネジ	01
171	21991500	PW HEAD S-TIGHT SCREW	4x8-10 MFC2BL	BL	PWヘッドSタイトネジ	01
173	VV220300	BIND HEAD B-TIGHT SCREW	3x30 MFZN2BL		バインドBタイトネジ	
174	VB770200	PW HEAD P-TIGHT SCREW	3x10-8 MFC2		PWヘッドPタイトネジ	01
175	V6509600	JACK SCREW	SS6-A47511848		ジャックスクリュー	
		ACCESSORIES			付属品	
* 200	WB679600	REMOTE CONTROL	RAV228	RRC4001-0007LM	リモコン	
200-1	AAX12830	BATTERY COVER	103RRC-170-01R		電池蓋	
200-2	AAX13420	SLIDE COVER	103RRC-171-01R	103RRC-171-01R	スライドカバー	
202	V6267000	INDOOR FM ANTENNA	1.4m 1pc	JUCRKL	FM簡易アンテナ	
202	VQ147100	INDOOR FM ANTENNA	1.4m 1pc	ABG	FM簡易アンテナ	02
203	VR248500	AM LOOP ANTENNA	1.0m 1pc		AMループアンテナ	
204	VE364900	ANTENNA ADAPTER	PAL 75-300Ω	B	整合器	03
* 205	WB803800	POWER CABLE	2m	J	電源コード	
* 205	V7704800	POWER CABLE	2m	UC	電源コード	
* 205	V7704900	POWER CABLE	2m	G	電源コード	
* 206	WC080100	SPEAKER TERMINAL WRENCH	LTS0090-0002GM		S Pターミナルレンチ	
* 207	WB929200	MICROPHONES	EMX-251		マイクロホン	
		BATTERY (MANGANESE DRY)	R6PPTT/3ST(R6P)		マンガン電池 3 P C	



* New Parts * 新規部品(マーク#の部品は、基板に含まれません)

RX-V2400/RX-V2400RDS/DSP-AX2400

RX-V2400/RX-V2400RDS/DSP-AX2400

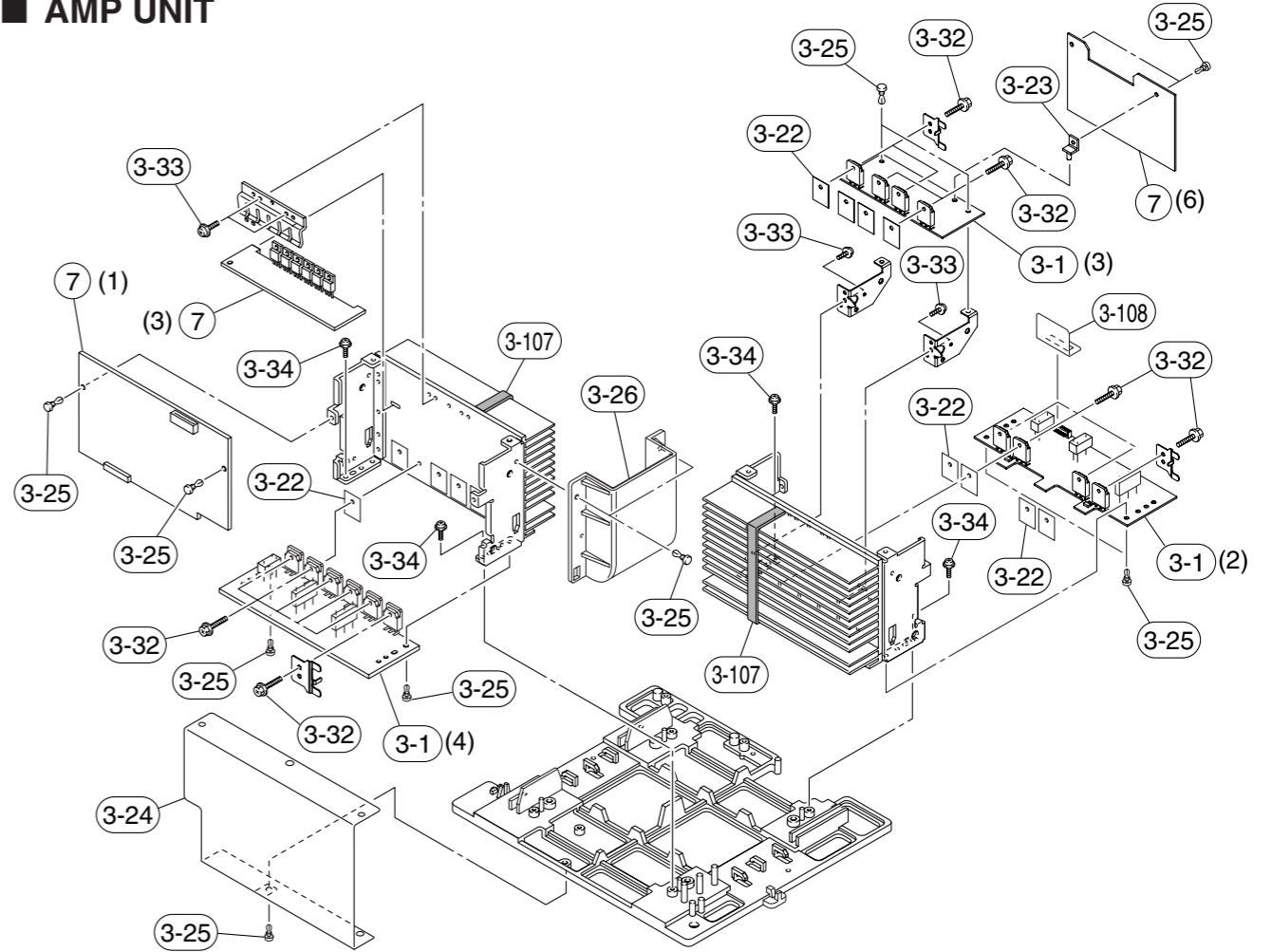
FRONT PANEL & SUB CHASSIS UNIT

AMP UNIT

1
2
3
4
5
6
7

Schm Ref.	PART NO.	Description	Remarks	Markets	部品名	Rank
* 1-1	WB314500	FRONT PANEL			フロントパネル	
* 1-1	WB314400	FRONT PANEL			フロントパネル	
* 1-1	WB761800	FRONT PANEL			フロントパネル	
* 1-1	WB314300	FRONT PANEL			フロントパネル	
* 1-1	WB750500	FRONT PANEL			フロントパネル	
* 1-4	WB315700	ESCUTCHEON/FRONT		GD	エスカッション/F	
* 1-4	WB315600	ESCUTCHEON/FRONT		BL	エスカッション/F	
* 1-4	WB315800	ESCUTCHEON/FRONT		TI	エスカッション/F	
1-7	V6034200	EMBLEM		GD	エンブレム	
1-7	V6034100	EMBLEM		BL, TI	エンブレム	
* 2-1	WB726600	P.C.B. ASS'Y	OPERATION	JRTKL	PCBオペレーション	
* 2-1	WB726700	P.C.B. ASS'Y	OPERATION	UCA	PCBオペレーション	
* 2-1	WB726800	P.C.B. ASS'Y	OPERATION	BG	PCBオペレーション	
* 2-11	MF107500	FLEXIBLE FLAT CABLE	7P 500mm P=1.25		カード電線 C&C	
* 2-13	MB013300	S FLX FLAT CABLE C&C	13P 300mm P=1.25		Sカード電線 C&C	
* 2-14	MF115140	FLEXIBLE FLAT CABLE	15P 140mm P=1.25		カード電線 C&C	
* 2-15	MF121160	FLEXIBLE FLAT CABLE	21P 160mm P=1.25		カード電線 C&C	
* 2-22	WB311300	SUBPANEL/CASE		GD	サブパネル/ケース	
* 2-22	WB311200	SUBPANEL/CASE		BL	サブパネル/ケース	
* 2-22	WB311600	SUBPANEL/CASE		TI	サブパネル/ケース	
* 2-23	V9126500	SHAFT			シャフト	
* 2-25	WB311800	BUTTON, PLAY		GD	ボタン/P	
* 2-25	WB311700	BUTTON, PLAY		BL	ボタン/P	
* 2-25	WB311900	BUTTON, PLAY		TI	ボタン/P	
* 2-27	WB537500	ESCUTCHEON		GD	エスカッション	
* 2-27	WB537300	ESCUTCHEON		BL	エスカッション	
* 2-27	WB537600	ESCUTCHEON		TI	エスカッション	
* 2-28	WC624300	PANEL, LID		GD	パネル/リッド	
* 2-28	WC624200	PANEL, LID		BL	パネル/リッド	
* 2-28	WC624400	PANEL, LID		TI	パネル/リッド	
* 2-29	WB299900	PLATE, SP		GD	プレート/S P	
* 2-29	WB299700	PLATE, SP		BL	プレート/S P	
* 2-29	WB299800	PLATE, SP		BL	プレート/S P	
* 2-29	WB734700	PLATE, SP		TI	プレート/S P	
2-30	V6005100	HINGE, L		GD	ヒンジ L	
2-30	V6005000	HINGE, L		BL	ヒンジ L	
2-30	V6005200	HINGE, L		TI	ヒンジ L	
2-31	V6005400	HINGE, R		GD	ヒンジ R	
2-31	V6005300	HINGE, R		BL	ヒンジ R	
2-31	V6005500	HINGE, R		TI	ヒンジ R	
2-32	V4593300	SPRING, LID			スプリング/リッド	
2-33	V9124600	DAMPER, GEAR			ダンパー/ギヤ	
2-34	VQ368600	PUSH RIVET	P3555-B		プッシュリベット	01
2-36	VY940400	CUSHION, LID	T=0.8		クッション/LID	
2-38	WC144500	CUSHION/ 5X10	5x10		クッション/5X10	
* 2-46	WC308000	SPACER/HINGE			スペーサー/ヒンジ	
2-52	EP600250	BIND HEAD B-TIGHT SCREW	3x8 MFZN2Y		バインドBタイトネジ	01
2-53	VG863900	BIND HEAD TAPPING SCREW	2.6x6 MFZN2BL		バインドTPネジ	01
2-54	EP630220	BIND HEAD P-TIGHT SCREW	3x8 MFZN2BL		バインドPタイトネジ	
2-55	VE529700	PW HEAD B-TIGHT SCREW	3x6-8 MFC2BL		PWヘッドBタイトネジ	01
2-56	VK173200	SCREW, TRANSISTOR	3x15 SP MFC2		スクリューTR	01

* New Parts * 新規部品(マーク#の部品は、基板に含まれません)

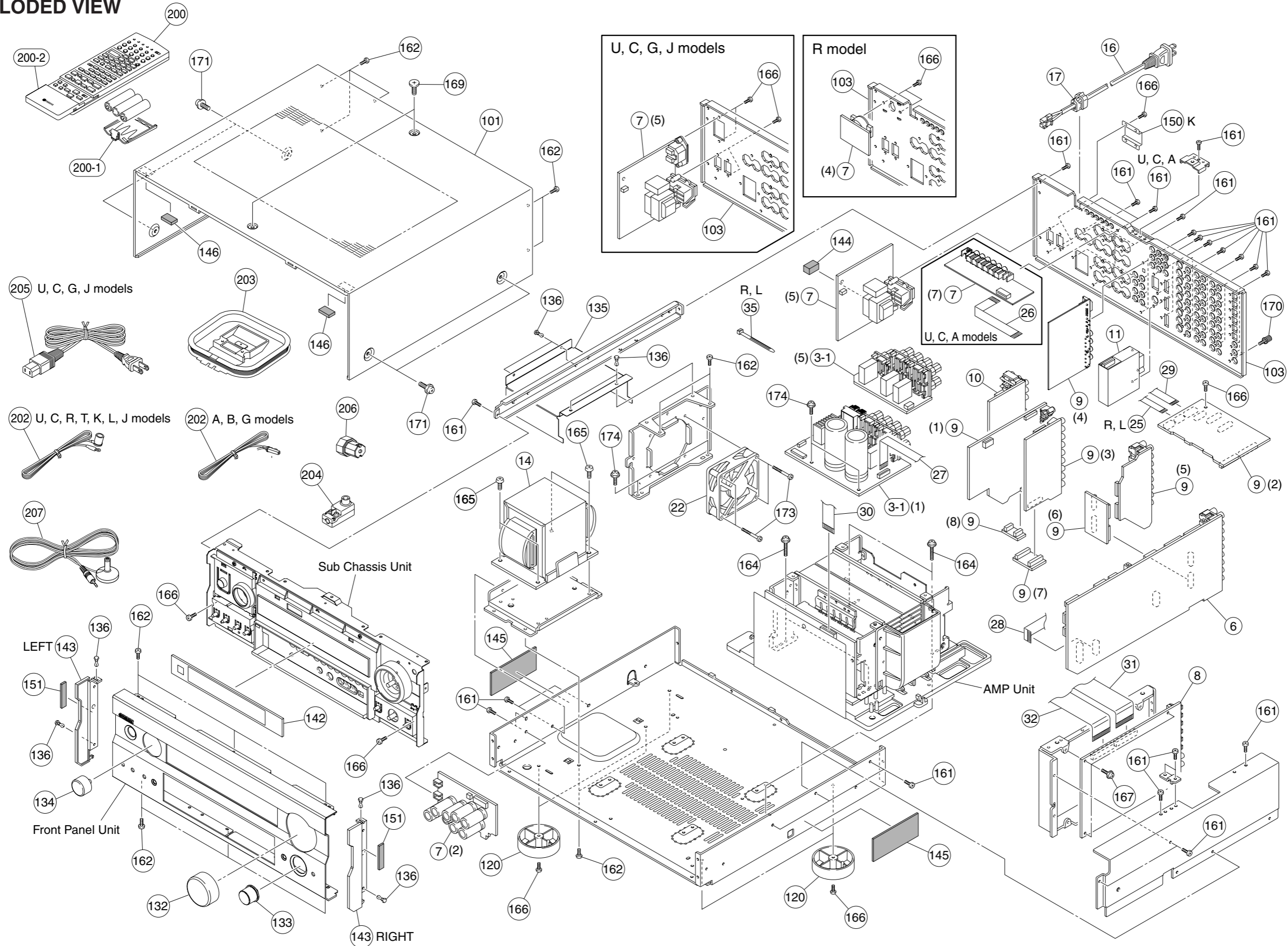


Schm Ref.	PART NO.	Description	Remarks	Markets	部品名	Rank
* 3-1	WB722100	P.C.B. ASS'Y	MAIN	J	PCBメイン	
* 3-1	WB722200	P.C.B. ASS'Y	MAIN	UCRTA	PCBメイン	
* 3-1	WB722300	P.C.B. ASS'Y	MAIN	KBGL	PCBメイン	
3-22	VV849300	SHEET	19x24		シート/放熱	01
3-23	CB091290	SUPPORT, P.C.B.	No. 1645		基板サポート	01
* 3-24	WB955600	SHEET/SHIELD 1400			シート/シールド	
3-25	VQ368600	PUSH RIVET	P3555-B		プッシュリベット	01
3-26	V9120600	DUCT			ダクト	
3-32	VK173200	SCREW, TRANSISTOR	3x15 SP MFC2		スクリューTR	01
3-33	VT669300	PW HEAD B-TIGHT SCREW	3x8-8 MFC2		PWヘッドBタイトネジ	
3-34	VB770200	PW HEAD P-TIGHT SCREW	3x10-8 MFC2		PWヘッドPタイトネジ	01
3-107	VP922500	DAMPER	2x10x170		ダンパー	01
* 3-108	WC558300	SPACER/PCB			スペーサー/PCB	
* 7	WB723100	P.C.B. ASS'Y	POWER	J	PCBパワー	
* 7	WB723200	P.C.B. ASS'Y	POWER	UC	PCBパワー	
* 7	WB723300	P.C.B. ASS'Y	POWER	R	PCBパワー	
* 7	WB723400	P.C.B. ASS'Y	POWER	TK	PCBパワー	
* 7	WB723500	P.C.B. ASS'Y	POWER	A	PCBパワー	
* 7	WB723600	P.C.B. ASS'Y	POWER	B	PCBパワー	
* 7	WB723700	P.C.B. ASS'Y	POWER	G	PCBパワー	
* 7	WB723800	P.C.B. ASS'Y	POWER	L	PCBパワー	

* New Parts * 新規部品(マーク#の部品は、基板に含まれません)

RX-V1400/RX-V1400RDS/HTR-5690/DSP-AX1400

EXPLODED VIEW



RX-V1400/RX-V1400RDS/HTR-5690/DSP-AX1400

MECHANICAL PARTS

Schm Ref.	PART NO.	Description	Remarks	Markets	部品名	Rank
* 3-1	WB722400	P.C.B. ASS'Y	MAIN	J	P C Bメイン	
* 3-1	WB722500	P.C.B. ASS'Y	MAIN	UCRTA	P C Bメイン	
* 3-1	WB722600	P.C.B. ASS'Y	MAIN	KBGL	P C Bメイン	
* 6	WB725900	P.C.B. ASS'Y	FUNCTION	J	P C Bファンクション	
* 6	WB726000	P.C.B. ASS'Y	FUNCTION	UC	P C Bファンクション	
* 6	WB726100	P.C.B. ASS'Y	FUNCTION	RL	P C Bファンクション	
* 6	WB726200	P.C.B. ASS'Y	FUNCTION	TKBG	P C Bファンクション	
* 6	WB726300	P.C.B. ASS'Y	FUNCTION	A	P C Bファンクション	
* 7	WB723900	P.C.B. ASS'Y	POWER	J	P C Bパワー	
* 7	WB724000	P.C.B. ASS'Y	POWER	UC	P C Bパワー	
* 7	WB724100	P.C.B. ASS'Y	POWER	R	P C Bパワー	
* 7	WB724300	P.C.B. ASS'Y	POWER	TK	P C Bパワー	
* 7	WB724400	P.C.B. ASS'Y	POWER	A	P C Bパワー	
* 7	WB724500	P.C.B. ASS'Y	POWER	B	P C Bパワー	
* 7	WB724600	P.C.B. ASS'Y	POWER	G	P C Bパワー	
* 7	WB724700	P.C.B. ASS'Y	POWER	L	P C Bパワー	
* 8	WB725000	P.C.B. ASS'Y	DSP	J	P C B D S P	
* 8	WB725100	P.C.B. ASS'Y	DSP	UCRTKABGL	P C B D S P	
* 9	WB728200	P.C.B. ASS'Y	VIDEO	J	P C Bビデオ	
* 9	WB728300	P.C.B. ASS'Y	VIDEO	UC	P C Bビデオ	
* 9	WB728400	P.C.B. ASS'Y	VIDEO	R	P C Bビデオ	
* 9	WB728500	P.C.B. ASS'Y	VIDEO	T	P C Bビデオ	
* 9	WB728600	P.C.B. ASS'Y	VIDEO	K	P C Bビデオ	
* 9	WB728700	P.C.B. ASS'Y	VIDEO	A	P C Bビデオ	
* 9	WB728800	P.C.B. ASS'Y	VIDEO	BG	P C Bビデオ	
* 9	WB728900	P.C.B. ASS'Y	VIDEO	L	P C Bビデオ	
* 10	WB729300	P.C.B. ASS'Y	CONVERSION	J	P C Bコンバージョン	
* 10	WB729100	P.C.B. ASS'Y	CONVERSION	UCK	P C Bコンバージョン	
* 10	WB729200	P.C.B. ASS'Y	CONVERSION	RTABGL	P C Bコンバージョン	
* 11	V7424200	AM/FM TUNER	FAE350-J10F	J	AM/FM チューナ	13
* 11	V7424300	AM/FM TUNER	FAE350-A10F	UCRTKL	AM/FM チューナ	
* 11	V7424400	AM/FM TUNER	FAE404-E10F	ABG	AM/FM チューナ	
* 14	X4601A00	POWER TRANSFORMER		J	電源トランス	
* 14	X4594A00	POWER TRANSFORMER		UC	電源トランス	
* 14	X4596A00	POWER TRANSFORMER		RL	電源トランス	
* 14	X4597A00	POWER TRANSFORMER		TK	電源トランス	
* 14	X4598A00	POWER TRANSFORMER		A	電源トランス	
* 14	X4600A00	POWER TRANSFORMER		BG	電源トランス	
16	VN363200	POWER CABLE	2m	R	電源コード	04
16	VZ542500	POWER CABLE	2m	T	電源コード	05
* 16	V8013000	POWER CABLE	2m	K	電源コード	
16	V2296800	POWER CABLE	2m	A	電源コード	
16	VV437300	POWER CABLE	2m	B	電源コード	08
16	VS759300	POWER CABLE	2m	L	電源コード	05
17	V2438700	CORD STOPPER	10P1	RTKABL	コードストッパー	02
22	V8563700	DC FAN MOTOR	3110KL-05W-B40-T21		D C ファンモーター	
* 25	MF107070	FLEXIBLE FLAT CABLE	7P 70mm P=1.25	RL	カード電線 C & C	
26	MF112140	FLEXIBLE FLAT CABLE	12P 140mm P=1.25	UCA	カード電線 C & C	01
* 27	MF112450	FLEXIBLE FLAT CABLE	12P 450mm P=1.25		カード電線 C & C	
* 28	MF113500	FLEXIBLE FLAT CABLE	13P 500mm P=1.25		カード電線 C & C	05
29	MF115070	FLEXIBLE FLAT CABLE	15P 70mm P=1.25		カード電線 C & C	

* New Parts * 新規部品(マーク#の部品は、基板に含まれません)

RX-V1400/RX-V1400RDS/HTR-5690/DSP-AX1400

Schm Ref.	PART NO.	Description	Remarks	Markets	部品名	Rank
30	MB019250	S FLEXIBLE FLAT CABLE	19P 250mm P=1.25		S カード電線 C & C	01
31	MF117100	FLEXIBLE FLAT CABLE	17P 100mm P=1.25		カード電線 C & C	01
32	MF118250	FLEXIBLE FLAT CABLE	18P 250mm P=1.25		カード電線 C & C	03
35	VZ625600	BINDING TIE	SE140 L=140	RL	インシュロックタイ	01
101	V9151200	TOP COVER		GD	トップカバー	09
* 101	V9151100	TOP COVER		BL	トップカバー	
* 101	V9151300	TOP COVER		TI	トップカバー	
* 103	WB298200	REAR PANEL		AX1400	リヤパネル	
* 103	WB297900	REAR PANEL		V1400	リヤパネル	
* 103	WB298000	REAR PANEL		V1400	リヤパネル	
* 103	WB438300	REAR PANEL		V1400	リヤパネル	
* 103	WB549100	REAR PANEL		V1400	リヤパネル	
* 103	WB298100	REAR PANEL		V1400	リヤパネル	
* 103	WB298300	REAR PANEL		V1400RDS	リヤパネル	
* 103	WB298400	REAR PANEL		V1400RDS	リヤパネル	
* 103	WB298500	REAR PANEL		5690	リヤパネル	
* 103	WB298600	REAR PANEL		5690	リヤパネル	
* 103	WB298700	REAR PANEL		5690	リヤパネル	
120	V0042500	LEG	D60xH21	1400GD, 5690GD	レッグ	03
120	VS025000	LEG	D60xH21	1400BLTI	レッグ	02
120	VV544300	LEG	D60xH21	5690BL	レッグ (B K)	02
132	V9124800	KNOB D47		GD	ノブ/D 4 7	06
* 132	V9124700	KNOB D47		BL	ノブ/D 4 7	
* 132	V9124900	KNOB D47		TI	ノブ/D 4 7	
* 133	WB312400	KNOB D25		GD	ノブ/D 2 5	
* 133	WB312200	KNOB D25		BL	ノブ/D 2 5	
* 133	WB312500	KNOB D25		TI	ノブ/D 2 5	
134	V9119600	KNOB D26		GD	ノブ/D 2 6	01
* 134	V9119500	KNOB D26		BL	ノブ/D 2 6	
* 134	V9119700	KNOB D26		TI	ノブ/D 2 6	
* 135	WB313000	TRANS/COVER			トランス/カバー	
136	VQ368600	PUSH RIVET	P3555-B		プッシュリベット	01
* 142	WB311100	SHEET, WINDOW			シート/ウインドウ	
* 143	WB312800	PLATE, SIDE	L+R/Set	GD	プレート/サイド	
* 143	WB312600	PLATE, SIDE	L+R/Set	BL	プレート/サイド	
* 143	WB312900	PLATE, SIDE	L+R/Set	TI	プレート/サイド	
* 144	WC062000	SPACER	10x25 t13		スペーサ	
* 145	V3198100	DAMPER	GUARD		ダンパー	
146	V8080600	CUSHION/10X20			クッション/10 X 20	
* 150	V8466300	COVER/AC OUTLETS		K	カバー/ACアウトレット	
151	VZ117100	DAMPER, T2	TOP-F		ダンパー/T 2	01
161	VN413300	BIND HEAD BONDING B-T. SCREW	3x8 MFC2BL		ボンディングBタイトネジ	01
162	EP600830	BIND HEAD B-TIGHT SCREW	3x8 MFC2BL		バインドBタイトネジ	01
* 164	WB315000	SCREW IC	3x18-10 MFC2		スクリュー IC	
* 165	WB881000	SCREW	4x10-10 MFC2Y		スクリュー	
166	EP600250	BIND HEAD B-TIGHT SCREW	3x8 MFC2Y		バインドBタイトネジ	01
167	VT669300	PW HEAD B-TIGHT SCREW	3x8-8 MFC2		PWヘッドBタイトネジ	01
169	VZ893000	SPECIAL SCREW S-TIGHT	4x8-10 MFC2	GD, TI	化粧ネジSタイト	02
169	VK522000	SPECIAL SCREW S-TIGHT	4x8-10 MFC2BL	BL	化粧ネジSタイト	01
170	AA627310	GROUND TERMINAL			GNDターミナル	01
171	VD069600	PW HEAD S-TIGHT SCREW	4x8-10 MFC2	GD, TI	PWヘッドSタイトネジ	01

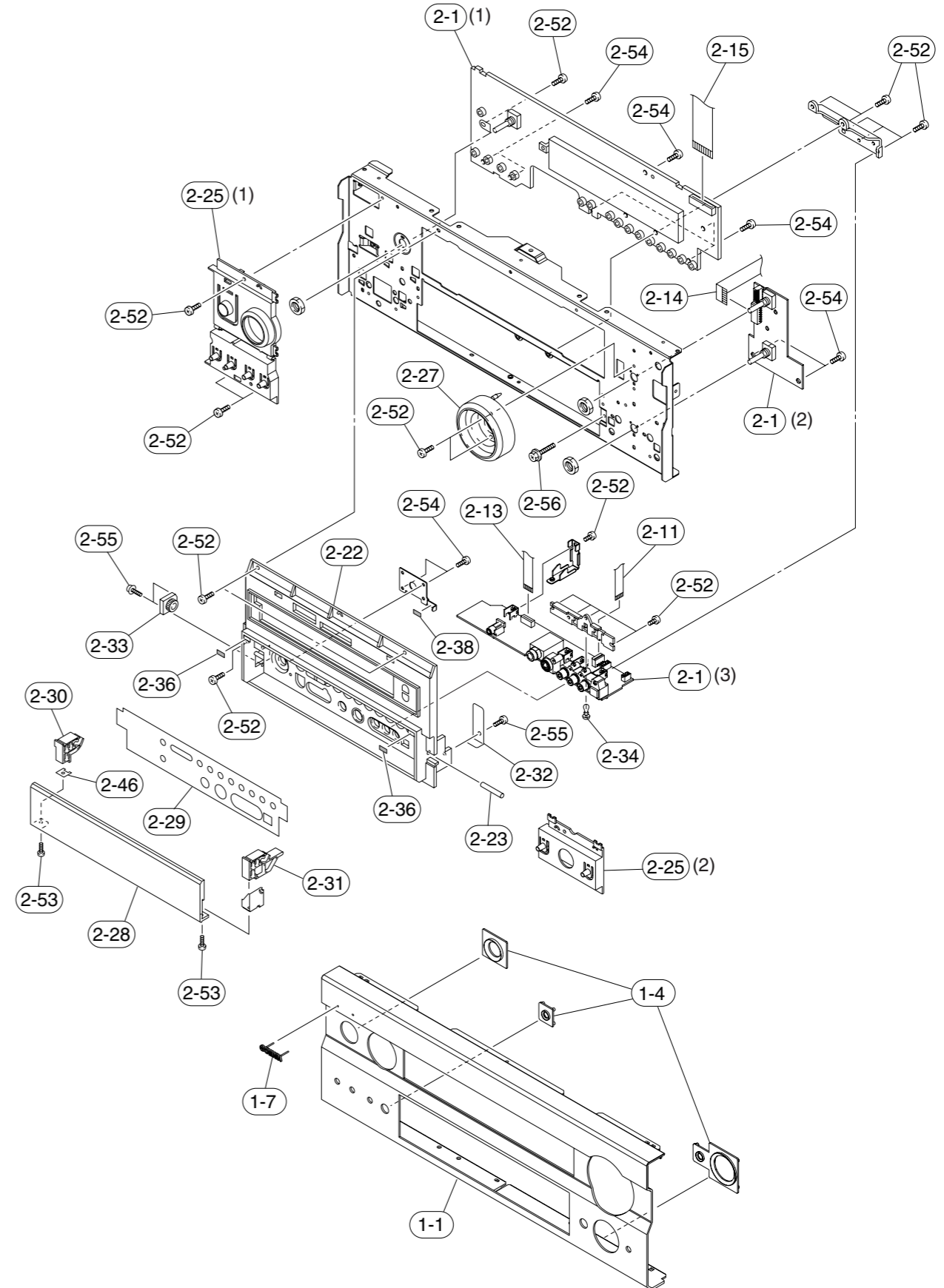
* New Parts * 新規部品(マーク#の部品は、基板に含まれません)

RX-V1400/RX-V1400RDS/HTR-5690/DSP-AX1400

RX-V1400/RX-V1400RDS/HTR-5690/DSP-AX1400

■ FRONT PANEL & SUB CHASSIS UNIT

Schm Ref.	PART NO.	Description	Remarks	Markets	部品名	Rank	
171	21991500	PW HEAD S-TIGHT SCREW	4x8-10	MFC2BL	BL	PWヘッドSタイトネジ	01
173	VV220300	BIND HEAD B-TIGHT SCREW	3x30	MFZN2BL		バインドBタイトネジ	01
174	VB770200	PW HEAD P-TIGHT SCREW	3x10-8	MFC2		PWヘッドPタイトネジ	01
		ACCESSORIES				付属品	
* 200	WB378600	REMOTE CONTROL	RAV238	BW0909	JUCRTKAL	リモートコントロール	
* 200	WB378700	REMOTE CONTROL	RAV239	BW0909	BG	リモートコントロール	
200-1	AAX31620	BATTERY COVER	71-0900-02000	71-0900-02000		電池蓋	05
202	V6267000	INDOOR FM ANTENNA	1.4m 1pc		JUCRTKL	FM簡易アンテナ	03
202	VQ147100	INDOOR FM ANTENNA	1.4m 1pc		ABG	FM簡易アンテナ	02
203	VR248500	AM LOOP ANTENNA	1.0m 1pc			AMループアンテナ	03
204	VE364900	ANTENNA ADAPTER	PAL 75-300Ω		B	整合器	03
* 205	WA642300	POWER CABLE	2m 1pc		J	電源コード	
* 205	V7704800	POWER CABLE	2m 1pc		UC	電源コード	05
* 205	V7704900	POWER CABLE	2m 1pc		G	電源コード	06
* 206	WC080100	SPEAKER TERMINAL WRENCH	LTS0090-0002GM			S Pターミナルレンチ	
* 207	WB929200	MICROPHONES	EMX-251			マイクロホン	
		BATTERY, MANGANESE	UM-4NE (2PC)			マンガン電池 2 P C	



* New Parts * 新規部品(マーク#の部品は、基板に含まれません)

RX-V1400/RX-V1400RDS/HTR-5690/DSP-AX1400

FRONT PANEL & SUB CHASSIS UNIT

Schm Ref.	PART NO.	Description	Remarks	Markets	部 品 名	Rank	
*	1-1	WB313700	FRONT PANEL	AX1400GD	J	フロントパネル	
*	1-1	WB313600	FRONT PANEL	V1400GD	RTKL	フロントパネル	
*	1-1	WB313500	FRONT PANEL	V1400BL	UCRA	フロントパネル	
*	1-1	WB313800	FRONT PANEL	V1400RDSBL	G	フロントパネル	
*	1-1	WB314000	FRONT PANEL	V1400RDSTI	BG	フロントパネル	
*	1-1	WB314200	FRONT PANEL	5690GD	T	フロントパネル	
*	1-1	WB314100	FRONT PANEL	5690BL	UCA	フロントパネル	
*	1-4	WB315700	ESCUTCHEON/FRONT	GD		エスカッション/F	
*	1-4	WB315600	ESCUTCHEON/FRONT	BL		エスカッション/F	
*	1-4	WB315800	ESCUTCHEON/FRONT	TI		エスカッション/F	
	1-7	V6034200	EMBLEM	1400GD, 5690GDBL		エンブレム	03
	1-7	V6034100	EMBLEM	1400BLTI		エンブレム	
*	2-1	WB726900	P.C.B. ASS'Y	OPERATION	JRTKL	P C Bオペレーション	
*	2-1	WB727000	P.C.B. ASS'Y	OPERATION	UCA	P C Bオペレーション	
*	2-1	WB727100	P.C.B. ASS'Y	OPERATION	BG	P C Bオペレーション	
	2-11	MF107500	FLEXIBLE FLAT CABLE	7P 500mm P=1.25		カード電線 C&C	03
*	2-13	MB013300	S FLX FLAT CABLE C&C	13P 300mm P=1.25		Sカード電線 C&C	
	2-14	MF115140	FLEXIBLE FLAT CABLE	15P 140mm P=1.25		カード電線 C&C	03
	2-15	MF121160	FLEXIBLE FLAT CABLE	21P 160mm P=1.25		カード電線 C&C	
*	2-22	WB311300	SUBPANEL/CASE	V1400GD, 5690GD		サブパネル/ケース	
*	2-22	WB311200	SUBPANEL/CASE	V1400BL, 5690BL	UCRA	サブパネル/ケース	
*	2-22	WB311400	SUBPANEL/CASE	V1400BL	G	サブパネル/ケース	
*	2-22	WB311600	SUBPANEL/CASE	V1400RDSTI	BG	サブパネル/ケース	
	2-23	V9126500	SHAFT			シャフト	01
*	2-25	WB311800	BUTTON, PLAY	GD		ボタン/P	
*	2-25	WB311700	BUTTON, PLAY	BL		ボタン/P	
*	2-25	WB311900	BUTTON, PLAY	TI		ボタン/P	
*	2-25	WB312000	BUTTON, PLAY	5690BL		ボタン/P	
*	2-27	WB537500	ESCUTCHEON	GD		エスカッション	
*	2-27	WB537300	ESCUTCHEON	BL		エスカッション	
*	2-27	WB537600	ESCUTCHEON	TI		エスカッション	
*	2-28	WC624300	PANEL, LID	GD		パネル/リッド	
*	2-28	WC624200	PANEL, LID	BL		パネル/リッド	
*	2-28	WC624400	PANEL, LID	TI		パネル/リッド	
*	2-28	WC624500	PANEL, LID	5690BL		パネル/リッド	
*	2-29	WB299200	PLATE, SP	V1400GD		プレート/SP	
*	2-29	WB299100	PLATE, SP	V1400BL	UCR	プレート/SP	
*	2-29	WB299300	PLATE, SP	V1400RDSBL	G	プレート/SP	
*	2-29	WB299500	PLATE, SP	V1400RDSTI		プレート/SP	
*	2-29	WB299600	PLATE, SP	5690		プレート/SP	
	2-30	V6005100	HINGE, L	GD		ヒンジ L	01
*	2-30	V6005000	HINGE, L	BL		ヒンジ L	
*	2-30	V6005200	HINGE, L	TI		ヒンジ L	
	2-31	V6005400	HINGE, R	GD		ヒンジ R	01
*	2-31	V6005300	HINGE, R	BL		ヒンジ R	
*	2-31	V6005500	HINGE, R	TI		ヒンジ R	
	2-32	V4593300	SPRING, LID			スプリング/リッド	
	2-33	V9124600	DAMPER, GEAR			ダンパー/ギヤ	03
	2-34	V0368600	PUSH RIVET	P3555-B		プッシュリベット	01
	2-36	VY940400	CUSHION, LID	T=0.8		クッション/LID	01
*	2-38	WC144500	CUSHION/ 5X10	5x10		クッション/5 X 1 0	

* New Parts * 新規部品(マーク#の部品は、基板に含まれません)

RX-V1400/RX-V1400RDS/HTR-5690/DSP-AX1400

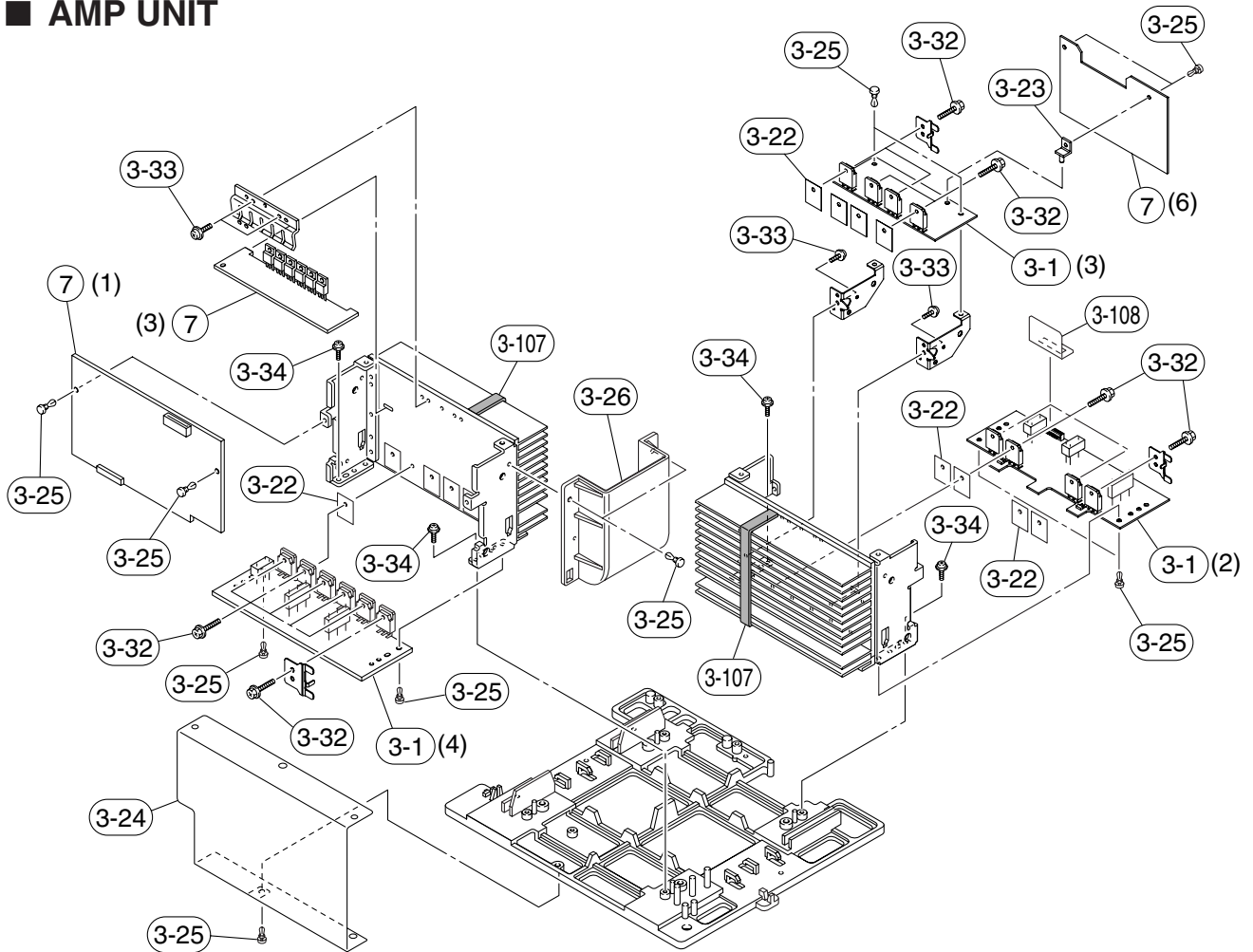
Schm Ref.	PART NO.	Description	Remarks	Markets	部 品 名	Rank
* 2-46	WC308000	SPACER/HINGE			スペーサー/ヒンジ	
2-52	EP600250	BIND HEAD B-TIGHT SCREW 3x8 MFZ2Y			バインドBタイトネジ	01
2-53	VG863900	BIND HEAD TAPPING SCREW 2.6x6 MFZ2BL			バインドTPネジ	
2-54	EP630220	BIND HEAD P-TIGHT SCREW 3x8 MFZ2BL			バインドPタイトネジ	01
2-55	VE529700	PW HEAD B-TIGHT SCREW 3x6-8 MFC2BL			PWヘッドBタイトネジ	01
2-56	VK173200	SCREW, TRANSISTOR 3x15 SP MFC2			スクリューTR	01

* New Parts * 新規部品(マーク#の部品は、基板に含まれません)

RX-V2400/RX-V2400RDS/DSP-AX2400
 RX-V1400/RX-V1400RDS/HTR-5690/DSP-AX1400

RX-V1400/RX-V1400RDS/HTR-5690/DSP-AX1400

AMP UNIT

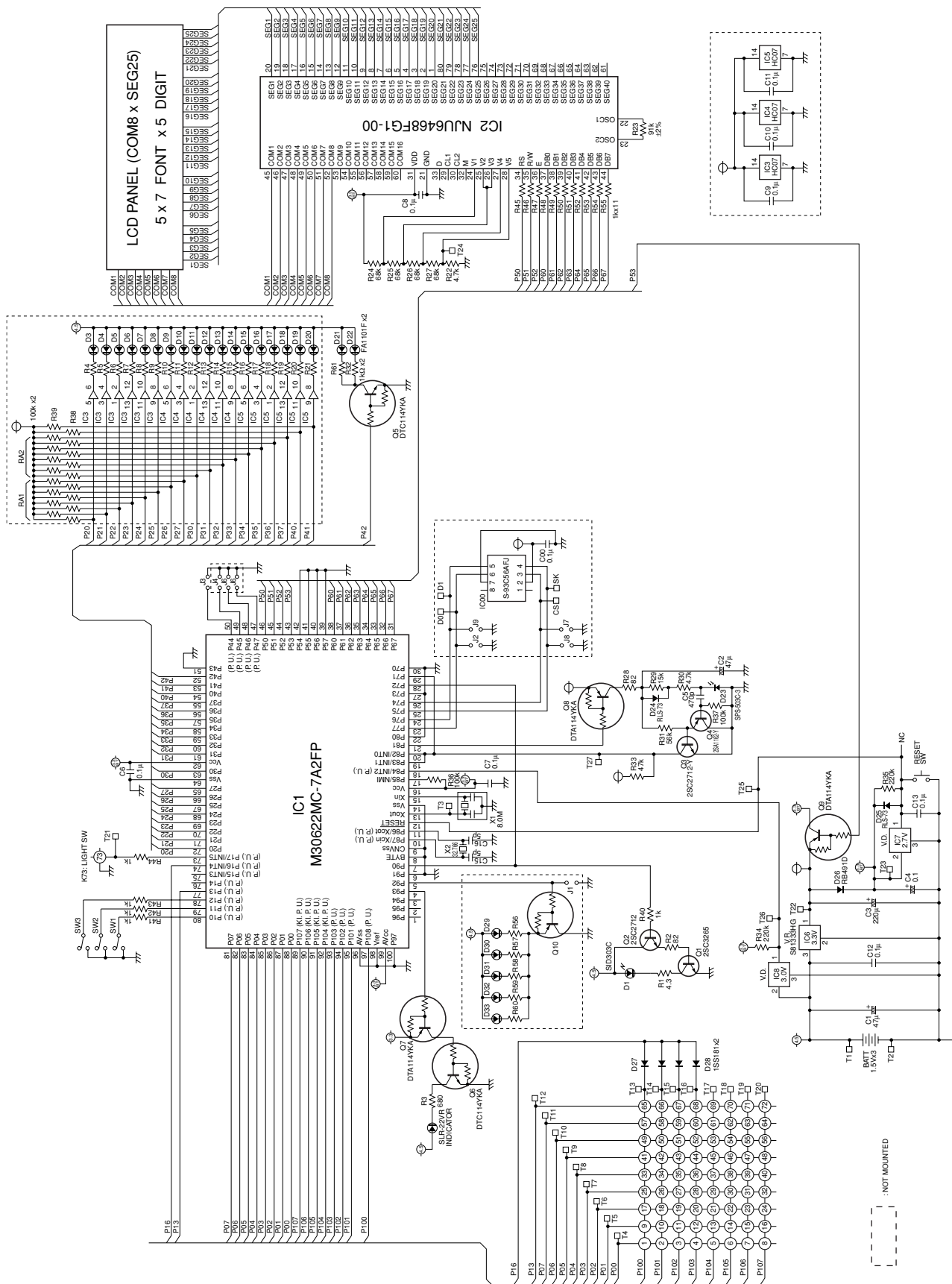


Schm Ref.	PART NO.	Description	Remarks	Markets	部品名	Rank
* 3-1	WB722400	P. C. B. ASS'Y	MAIN	J	PCBメイン	
* 3-1	WB722500	P. C. B. ASS'Y	MAIN	UCRТА	PCBメイン	
* 3-1	WB722600	P. C. B. ASS'Y	MAIN	KBGL	PCBメイン	
3-22	VV849300	SHEET	19x24		シート/放熱	01
* 3-23	CB091290	SUPPORT, P. C. B.	No. 1645		基板サポート	01
* 3-24	WB955600	SHEET/SHIELD 1400			シート/シールド	
3-25	VQ368600	PUSH RIVET	P3555-B		プッシュリベット	01
3-26	V9120600	DUCT			ダクト	02
3-32	VK173200	SCREW, TRANSISTOR	3x15 SP MFC2		スクリューTR	01
3-33	VT669300	PW HEAD B-TIGHT SCREW	3x8-8 MFC2		PWヘッドBタイトネジ	01
3-34	VB770200	PW HEAD P-TIGHT SCREW	3x10-8 MFC2		PWヘッドPタイトネジ	01
3-107	VP922500	DAMPER	2x10x170		ダンパー	01
* 3-108	WC558300	SPACER/PCB			スペーサー/PCB	
* 7	WB723900	P. C. B. ASS'Y	POWER	J	PCBパワー	
* 7	WB724000	P. C. B. ASS'Y	POWER	UC	PCBパワー	
* 7	WB724100	P. C. B. ASS'Y	POWER	R	PCBパワー	
* 7	WB724300	P. C. B. ASS'Y	POWER	TK	PCBパワー	
* 7	WB724400	P. C. B. ASS'Y	POWER	A	PCBパワー	
* 7	WB724500	P. C. B. ASS'Y	POWER	B	PCBパワー	
* 7	WB724600	P. C. B. ASS'Y	POWER	G	PCBパワー	
* 7	WB724700	P. C. B. ASS'Y	POWER	L	PCBパワー	

* New Parts * 新規部品(マーク#の部品は、基板に含まれません)

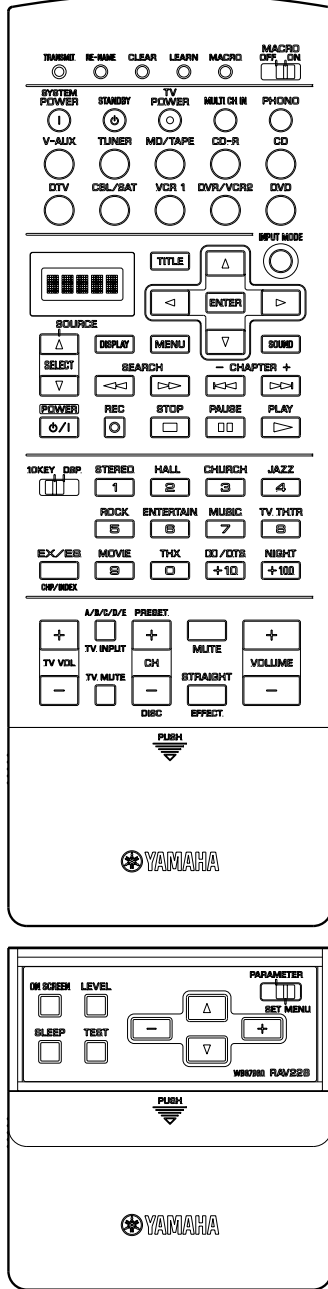
RX-V2400/RX-V2400RDS/DSP-AX2400

REMOTE CONTROL RAV228



RX-V2400/RX-V2400RDS/DSP-AX2400

Initial Code



Key No.	Key Name	YPC	DSP #1	Zone #2				
				MAIN	ZONE2 #4	ZONE3 #5	SYSTEM #6	
1	—	—	—	—	—	—	—	
2	RE-NAME	—	—	—	—	—	—	
3	CLEAR	—	—	—	—	—	—	
4	LEARN	—	—	—	—	—	—	
5	MACRO	—	—	—	—	—	—	
6	POWER on	*7A-1D	7D-90	*#3 7E-7E	*7E-BA	*7A-ED	*7A-1D	
7	STANDBY	7A-1E	7D-91	*#3 7E-7F	7E-BB	7A-EE	7A-1E	
8	TV POWER	—	—	—	—	—	—	
9	MULTI CH INPUT	7A-87	7D-8C	—	7A-87	—	←	
10	PHONO	7A-14	7D-88	7A-14	7A-D0	7A-F1	←	
11	V-AUX	7A-55	7D-8A	7A-55	7A-D8	7A-F0	←	
12	TUNER	7A-16	7D-89	7A-16	7A-D2	7A-F3	←	
13	MD/TAPE	7A-18	7D-8B	7A-18	7A-D3	7A-F4	←	
14	CD-R	7A-19	7D-99	7A-19	7A-D4	7A-F5	←	
15	CD	7A-15	7D-87	7A-15	7A-D1	7A-F2	←	
16	D-TV	7A-54	7D-84	7A-54	7A-D9	7A-F6	←	
17	CBL/SAT	7A-C0	7D-96	7A-C0	7A-CC	7A-F7	←	
18	VCR1	7A-0F	7D-81	7A-0F	7A-D6	7A-F9	←	
19	DVR/VCR2	7A-13	7D-82	7A-13	7A-D7	7A-FA	←	
20	DVD	7A-C1	7D-97	7A-C1	7A-CD	7A-FC	←	
21	INPUT MODE	7A-C3	—	—	7A-C3	—	←	
Device								
				DVD (K20)	CD-R (K14)	CD (K15)	MD/TAPE (K13)	TUNER (K12)
SW2				DSP				
22	Up	→	→	→	←	7C-B4	—	—
23	TITLE	→	→	→	←	7C-B1	—	—
24	Left	→	→	→	←	7C-B5	—	—
25	ENTER	→	→	→	←	7C-B8	—	—
26	Right	→	→	→	←	7C-B6	—	—
27	SOUND	→	→	→	←	7C-AD	—	—
28	Down	→	→	→	←	7C-B3	—	—
29	MENU	→	→	→	←	7C-B2	—	—
30	DISPLAY	→	→	→	←	7C-A6	7F-9E	79-0A
31	REW (SEARCH)	→	→	→	←	7C-86	7F-88	7A-0D
32	FF (SEARCH)	→	→	→	←	7C-87	7F-89	7A-0C
33	CHP/SKIP -	→	→	→	←	7C-B9	7F-86	7A-0B
34	CHP/SKIP +	→	→	→	←	7C-BA	7F-87	7A-0A
35	PLAY	→	→	→	←	7C-82	7F-82	7A-08
36	PAUSE	→	→	→	←	7C-83	7F-83	7A-09
37	STOP	→	→	→	←	7C-85	7F-84	7A-09
38	REC	→	→	→	←	7C-B7	—	79-AF
39	POWER	→	→	→	←	—	—	—
40	SELECT down	—	—	—	—	—	—	—
41	SELECT up	—	—	—	—	—	—	—
42	PRG1	7A-88	7D-D0	—	7A-88	←	7C-94	7F-91
43	PRG2	7A-89	7D-D1	—	7A-89	←	7C-95	7F-92
44	PRG3	7A-8A	7D-D2	—	7A-8A	←	7C-96	7F-93
45	PRG4	7A-8B	7D-D3	—	7A-8B	←	7C-97	7F-94
46	PRG5	7A-8C	7D-D4	—	7A-8C	←	7C-98	7F-95
47	PRG6	7A-8D	7D-D5	—	7A-8D	←	7C-99	7F-96
48	PRG7	7A-8E	7D-D6	—	7A-8E	←	7C-9A	7F-97
49	PRG8	7A-8F	7D-D7	—	7A-8F	←	7C-9B	7F-98
50	PRG9	7A-90	7D-D8	—	7A-90	←	7C-9C	7F-99
51	PRG10	7A-91	7D-D9	—	7A-91	←	7C-93	7F-90
52	+10	7A-92	7D-DA	—	7A-92	←	7C-9D	7F-9A
53	+100	7A-96	7D-DB	—	7A-96	←	7C-9F	7F-8C
54	CHP/INDEX	7A-97	7D-DF	—	7A-97	←	7C-9E	7F-8A
55	TV VOL up	→	→	→	←	—	—	—
56	TV VOL down	→	→	→	←	—	—	—
57	TV INPUT	→	→	→	←	—	—	—
58	TV MUTE	→	→	→	←	—	—	—
59	CH up	→	→	→	←	7C-8B	—	7A-4F
60	CH down	→	→	→	←	7C-8A	—	7A-50
61	MUTE	7A-1C	7D-94	7A-1C	7A-DC	7A-FF	←	←
62	EFFECT	7A-56	7D-C1	7A-56	7A-56	7A-56	←	←
63	VOLUME up	7A-1A	7D-8D	7A-1A	7A-DA	7A-FD	←	←
64	VOLUME down	7A-1B	7D-8E	7A-1B	7A-DB	7A-FE	←	←
SW3								
65	ON SCREEN	Parameter 7A-C2	Set Menu 7D-C2	Parameter 7A-C2	Set Menu 7A-C2	Parameter	Set Menu	
66	SLEEP	7A-57	7D-93	7A-57	—	←	←	
67	LEVEL	7A-86	7D-95	7A-86	—	←	←	
68	TEST	7A-85	7D-CA	7A-85	—	←	←	
69	LEFT	7A-C7	7A-9F	7D-C7	7D-9F	7A-C7	7A-9F	
70	UP	7A-C5	7A-9D	7D-C5	7D-9D	7A-C5	7A-9D	
71	DOWN	7A-C4	7A-9C	7D-C4	7D-9C	7A-C4	7A-9C	
72	RIGHT	7A-C6	7A-9E	7D-C6	7D-9E	7A-C6	7A-9E	

- *1: These code are transmitted when "DSP" is set-up as AMP library.
 - *2: These code are transmitted when "ZONE" is set-up as AMP library.
 - *3: "MAIN" is shown on LCD for 2 second, then return to previous status.
 - *4: These code are transmitted when "ZONE2" is chosen with Select key.
 - *5: These code are transmitted when "ZONE3" is chosen with Select key.
 - *6: These code are transmitted when "SYSTEM" is chosen with Select key.
- In case the key except K6 or K7 pressed, return to previous status and transmit the code it is has.
- *: Transmitting Code of K6, "7A-1D", "7E-7E", "7E-BA", "7A-ED"
Full word transmitted twice.
- *1: AMPライブラリをDSPに設定することで送信される。
 - *2: AMPライブラリをZONEに設定することで送信される。
 - *3: LCD上に2秒間"MAIN"が表示され、その後元の状態に戻る。
 - *4: SelectキーによってZONE2を選択することで送信される。
 - *5: SelectキーによってZONE3を選択することで送信される。
 - *6: SelectキーによってSYSTEMを選択することで送信される。
- K6またはK7以外のキーを押した場合、前の状態に戻り、持っているコードが送信される。
- *: K6送信コード"7A-1D"、"7E-7E"、"7E-BA"、"7A-ED"についてフルワードが2回送信される。

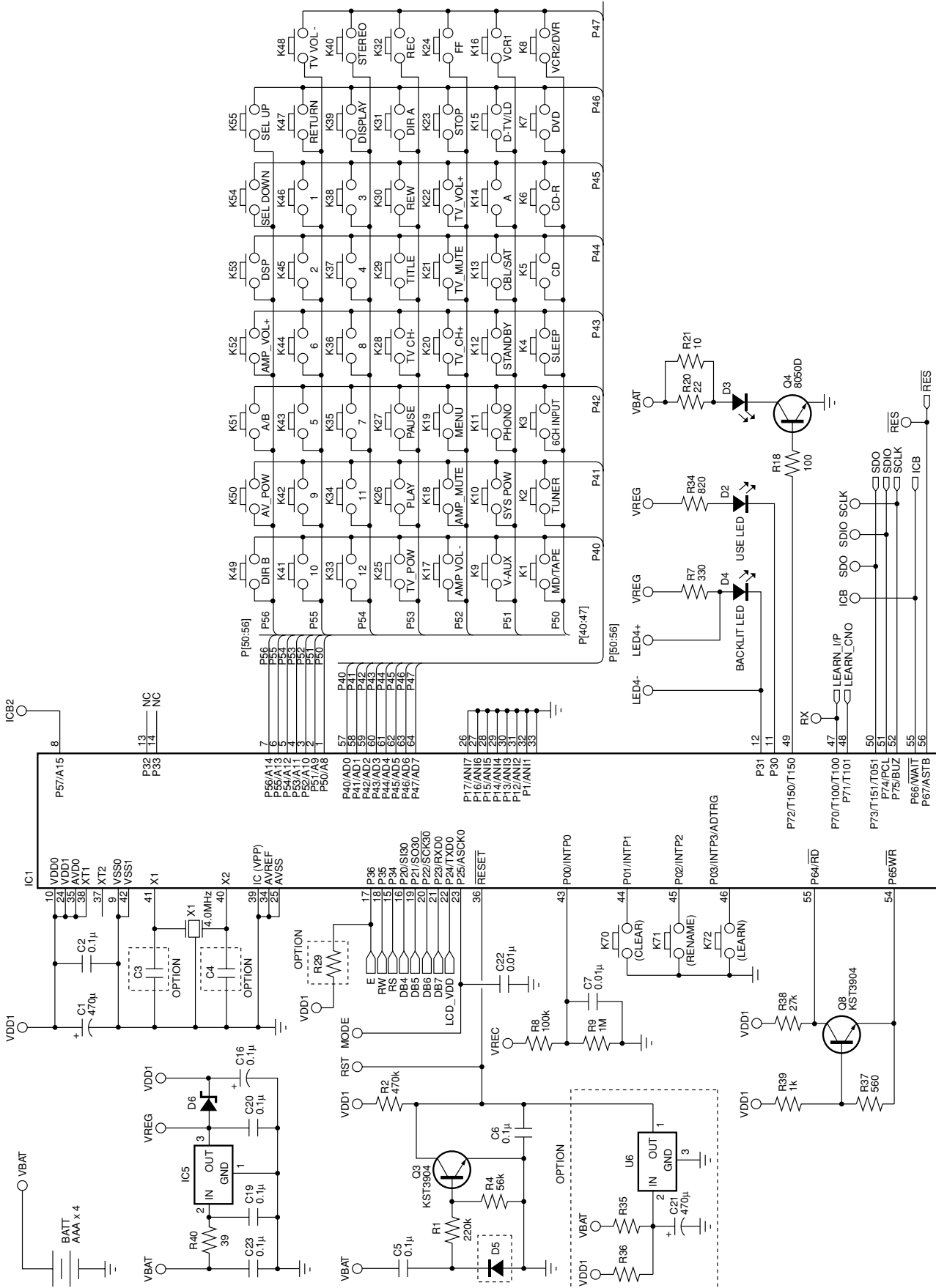
Initial Macro setup

Key No.	Key Name	1	2	3	4~10
6	POWER on	K6	K8	—	—
7	STANDBY	K7	—	—	—
8	TV POWER	K8	—	—	—
9	MULTI CH INPUT	K9	—	—	—
10	PHONO	K6	K10	—	—
11	V-AUX	K6	K11	—	—
12	TUNER	K6	K12	—	—
13	MD/TAPE	K6	K13	K35	MD
14	CD-R	K6	K14	K35	CD-R
15	CD	K6	K15	K35	CD
16	DTV	K6	K16	—	—
17	CBL/SAT	K6	K17	—	—
18	VCR1	K6	K18	K35	VCR1
19	DVR/VCR2	K6	K19	K35	VCR2
20	DVD	K6	K20	K35	DVD

RX-V2400/RX-V2400RDS/DSP-AX2400
RX-V1400/RX-V1400RDS/HTR-5690/DSP-AX1400

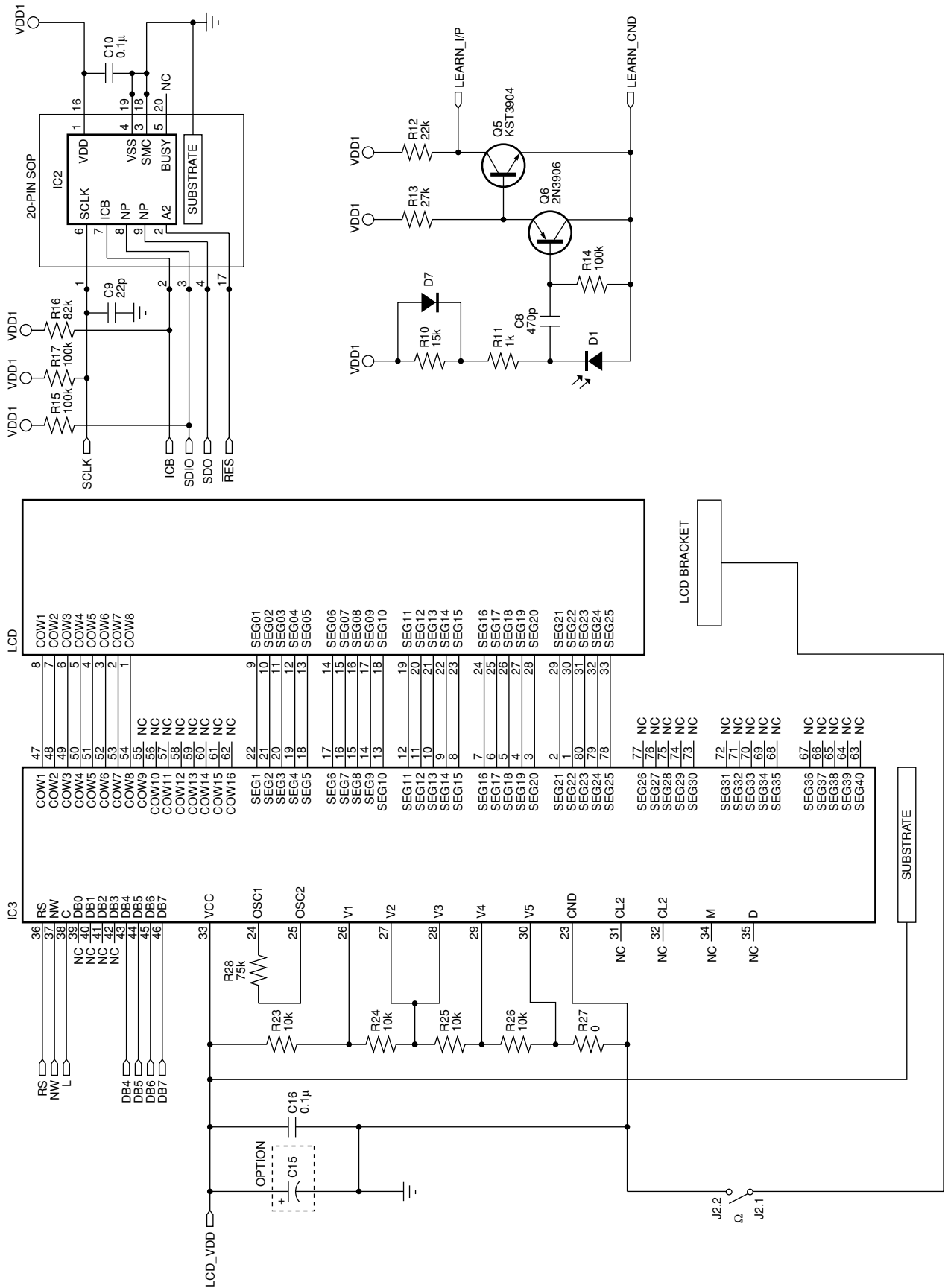
RX-V1400/RX-V1400RDS/HTR-5690/DSP-AX1400

■ **REMOTE CONTROL RAV238, RAV239**



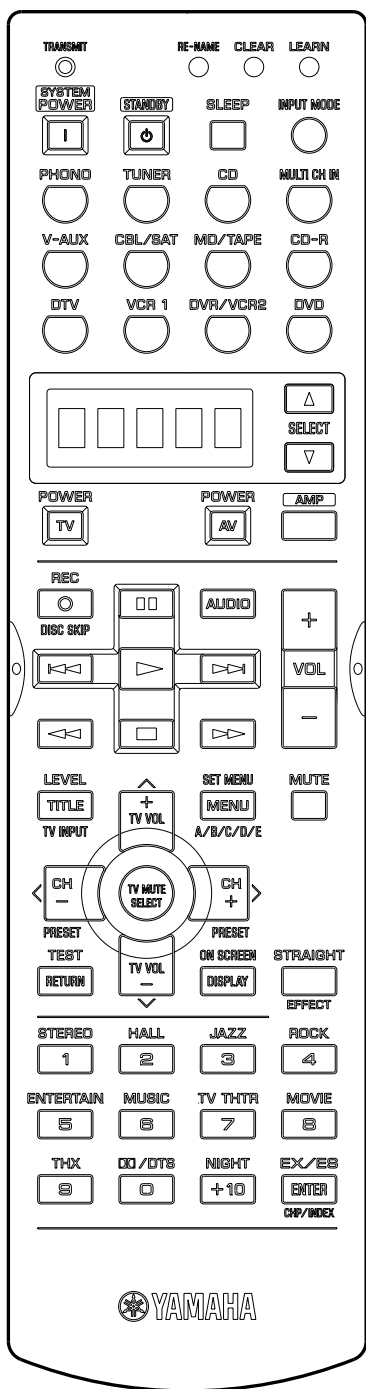
RX-V2400/RX-V2400RDS/DSP-AX2400
 RX-V1400/RX-V1400RDS/HTR-5690/DSP-AX1400

RX-V1400/RX-V1400RDS/HTR-5690/DSP-AX1400



RX-V2400/RX-V2400RDS/DSP-AX2400
 RX-V1400/RX-V1400RDS/HTR-5690/DSP-AX1400

RX-V1400/RX-V1400RDS/HTR-5690/DSP-AX1400



No.	Label	Schematic Key No.	Learn Table
-	TRANSMIT (LED)	-	-
1	RE-NAME (LED)	-	-
2	CLEAR (LED)	-	-
3	LEARN (LED)	-	-
4	SYSTEM POWER	K10	O
5	STANDBY	K12	O
6	SLEEP	K4	O
7	INPUT MODE	K3	O
8	PHONO	K14	O
9	TUNER	K11	O
10	CD	K2	O
11	MULTI CH IN	K5	O
12	V-AUX	K9	O
13	CBL/SAT	K13	O
14	MD/TAPE	K1	O
15	CD-R	K6	O
16	DTV	K15	O
17	VCR 1	K16	O
18	DVR/VCR2	K8	O
19	DVD	K7	O
20	▲	K55	-
21	▼	K54	-

22	POWER [TV]	K25	O
23	POWER [AV]	K50	O
24	AMP	-	-
25	REC [O]	K32	O
26	□□	K27	O
27	AUDIO	K51	O
28	▲▲	K31	O
29	▼	K26	O
30	▼▼	K49	O
31	▲▲	K30	O
32	□	K23	O
33	▼▼	K24	O
34	VOL +	K52	O
35	VOL -	K17	O
36	LEVEL [TITLE]	K29	O
37	TV VOL +	K22	O
38	SET MENU [MENU]	K19	O
39	CH -	K28	O
40	TV MUTE SELECT	K21	O
41	CH +	K20	O
42	MUTE	K18	O
43	TEST [RETURN]	K47	O
44	TV VOL -	K48	O
45	ON SCREEN [DISPLAY]	K39	O
46	STRAIGHT	K40	O
47	1	K46	O
48	2	K45	O
49	3	K38	O
50	4	K37	O
51	5	K43	O
52	6	K44	O
53	7	K35	O
54	8	K36	O
55	9	K42	O
56	0	K41	O
57	+10	K34	O
58	ENTER	K33	O

- *1; These code are transmitted when "ZONE" is set-up as AMP library.
- *2; "MAIN" is shown on LCD for 2 second, then return to previous status.
- *3; These code are transmitted when "ZONE2" is chosen with Select key.
- *4; These code are transmitted when "ZONE3" is chosen with Select key.
- *5; These code are transmitted when "SYSTEM" is chosen with Select key.
In case the key except K6 or K7 pressed, return to previous status and transmit the code it is has.

- *1; AMPライブラリをZONEに設定することで送信される。
- *2; LCD上に2秒間"MAIN"が表示され、その後元の状態に戻る。
- *3; SelectキーによってZONE2を選択することで送信される。
- *4; SelectキーによってZONE3を選択することで送信される。
- *5; SelectキーによってSYSTEMを選択することで送信される。
K6またはK7以外のキーを押した場合、前の状態に戻り、持っているコードが送信される。

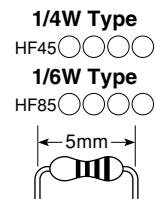
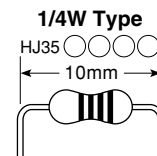
RX-V1400/RX-V1400RDS/HTR-5690/DSP-AX1400

Common	YPC	ZONE (Multi ZONE) *1				YAMAHA Signal													
		MAIN	ZONE2 *3	ZONE2 *4	SYSTEM *5														
-	-	-	-	-	-	Linked with IR signal													
-	-	-				-													
-	-	-				Change to RE-NAME mode													
-	-	-				Change to CLEAR mode (Learning clear, preset clear, 1 key clear, all key clear)													
-	-	-				Change to LEARNING or PRESET mode													
O	7A-1D	7E-7E *2	7E-BA	7A-ED	7A-1D	7A-1D	7A-1D	7A-1D	7A-1D	7A-1D	7A-1D	7A-1D	7A-1D	7A-1D	7A-1D	7A-1D	7A-1D	7A-1D	7A-1D
O	7A-1E	7E-7F *2	7E-BB	7A-EE	7A-1E	7A-1E	7A-1E	7A-1E	7A-1E	7A-1E	7A-1E	7A-1E	7A-1E	7A-1E	7A-1E	7A-1E	7A-1E	7A-1E	7A-1E
O	7A-57		7A-57			7A-57	7A-57	7A-57	7A-57	7A-57	7A-57	7A-57	7A-57	7A-57	7A-57	7A-57	7A-57	7A-57	7A-57
O	7A-C3		7A-C3			7A-C3	7A-C3	7A-C3	7A-C3	7A-C3	7A-C3	7A-C3	7A-C3	7A-C3	7A-C3	7A-C3	7A-C3	7A-C3	7A-C3
O	7A-14	7A-14	7A-D0	7A-F1		Output IR signal & change Device mode (default: no signal)										PHONO	PHO	TV	nothing
O	7A-16	7A-16	7A-D2	7A-F3		Output IR signal & change Device mode										TUNER	TUN	TUNER	YAMAHA
O	7A-15	7A-15	7A-D1	7A-F2		Output IR signal & change Device mode										CD	CD	CD	YAMAHA
O	7A-87	7A-87	7A-87	7A-87		7A-87	7A-87	7A-87	7A-87	7A-87	7A-87	7A-87	7A-87	7A-87	7A-87	7A-87	7A-87	7A-87	7A-87
O	7A-55	7A-55	7A-D8	7A-F0		Output IR signal & change Device mode										V-AUX	AUX	VCR	nothing
O	7A-C0	7A-C0	7A-CC	7A-F7		Output IR signal & change Device mode										CBSAT	SAT	CABLE	nothing
O	7A-18	7A-18	7A-D3	7A-F4		Output IR signal & change Device mode										MD	MD	MD	YAMAHA
O	7A-19	7A-19	7A-D4	7A-F5		Output IR signal & change Device mode										CD-R	CDR	CD-R	YAMAHA
O	7A-54	7A-54	7A-D6	7A-F6		Output IR signal & change Device mode										DTV	DTV	TV	nothing
O	7A-0F	7A-0F	7A-D9	7A-F9		Output IR signal & change Device mode										VCR1	VR1	VCR	nothing
O	7A-13	7A-13	7A-D7	7A-FA		Output IR signal & change Device mode										DVR	DVR	VCR	nothing
O	7A-C1	7A-C1	7A-CD	7A-FC		Output IR signal & change Device mode										DVD	DVD	DVD	YAMAHA-1
-	-	-	-	-		DEVICE SELECT Key													
-	-	-	-	-		Select Device mode (up)													
-	-	-	-	-		Select Device mode (down)													
						8	9	10	11	12	13	14	15	16	17	18	19	YPC	
						PHONO	TUNER	CD	CH INPUT	V-AUX	CBL/SAT	MD/TAPE	CD-R	DTV	VCR1	DVR/VCR2	DVD	AMP	
-	-	-	-	-		-	-	-	-	-	-	-	-	-	-	-	-	-	-
-	-	-	-	-		-	-	-	-	-	-	-	-	-	-	-	-	7C-80	7C-80
O	-	-	-	-															
-	-	-	-	-		-	-	7A-4F		-	-	79-AF	-	-	-	-	-	7C-8B	7C-8B
-	-	-	-	-		-	-	7A-09		-	-	79-A9	7F-83	-	-	-	-	7C-83	7C-83
-	-	-	-	-		-	-	-		-	-	-	-	-	-	-	-	7C-AD	7C-AD
-	-	-	-	-		-	-	7A-0B		-	-	79-AB	7F-86	-	-	-	-	7C-B9	7C-B9
-	-	-	-	-		-	-	7A-08		-	-	79-A8	7F-82	-	-	-	-	7C-82	7C-82
-	-	-	-	-		-	-	7A-0A		-	-	79-AE	7F-87	-	-	-	-	7C-BA	7C-BA
-	-	-	-	-		-	-	7A-0D		-	-	79-AC	7F-88	-	-	-	-	7C-86	7C-86
-	-	-	-	-		-	-	7A-09		-	-	79-AA	7F-84	-	-	-	-	7C-85	7C-85
-	-	-	-	-		-	-	7A-0C		-	-	79-AD	7F-89	-	-	-	-	7C-87	7C-87
O	7A-1A	7A-1A	7A-DA	7A-FD		7A-1A	7A-1A	7A-1A		7A-1A	7A-1A	7A-1A	7A-1A	7A-1A	7A-1A	7A-1A	7A-1A	7A-1A	7A-1A
O	7A-1B	7A-1B	7A-DB	7A-FE		7A-1B	7A-1B	7A-1B		7A-1B	7A-1B	7A-1B	7A-1B	7A-1B	7A-1B	7A-1B	7A-1B	7A-1B	7A-1B
-	-	-	-	-		-	-	-		-	-	-	-	-	-	-	-	7C-B1	7A-85
-	-	-	-	-		-	-	-		-	-	-	-	-	-	-	-	7C-B4	7A-98
-	-	-	-	-		-	7A-12	-		-	-	-	-	-	-	-	-	7C-B2	7A-9C
-	-	-	-	-		-	7A-11	-		-	-	-	-	-	-	-	-	7C-B5	7A-53
-	-	-	-	-		-	-	-		-	-	-	-	-	-	-	-	7C-B8	7A-DE
-	-	-	-	-		-	7A-10	-		-	-	-	-	-	-	-	-	7C-B6	7A-52
O	7A-1C	7A-1C	7A-DC	7A-FF		7A-1C	7A-1C	7A-1C		7A-1C	7A-1C	7A-1C	7A-1C	7A-1C	7A-1C	7A-1C	7A-1C	7A-1C	7A-1C
-	-	-	-	-		-	-	-		-	-	-	-	-	-	-	-	7C-B7	7A-85
-	-	-	-	-		-	-	-		-	-	-	-	-	-	-	-	7C-B3	7A-99
-	-	-	-	-		-	-	79-0A		-	-	79-A5	7F-9E	-	-	-	-	7C-A6	7A-C2
O	7A-56	7A-56	7A-56	7A-56		7A-56	7A-56	7A-56		7A-56	7A-56	7A-56	7A-56	7A-56	7A-56	7A-56	7A-56	7A-56	7A-56
-	-	-	-	-		-	7A-E5	79-11		-	-	79-85	7F-91	-	-	-	-	7C-94	7A-88
-	-	-	-	-		-	7A-E6	79-12		-	-	79-86	7F-92	-	-	-	-	7C-95	7A-89
-	-	-	-	-		-	7A-E7	79-13		-	-	79-87	7F-93	-	-	-	-	7C-96	7A-8A
-	-	-	-	-		-	7A-E8	79-14		-	-	79-88	7F-94	-	-	-	-	7C-97	7A-8B
-	-	-	-	-		-	7A-E9	79-15		-	-	79-89	7F-95	-	-	-	-	7C-98	7A-8C
-	-	-	-	-		-	7A-EA	79-16		-	-	79-8A	7F-96	-	-	-	-	7C-99	7A-8D
-	-	-	-	-		-	7A-EB	79-17		-	-	79-8B	7F-97	-	-	-	-	7C-9A	7A-8E
-	-	-	-	-		-	7A-EC	79-18		-	-	79-8C	7F-98	-	-	-	-	7C-9B	7A-8F
-	-	-	-	-		-	-	79-19		-	-	79-8D	7F-99	-	-	-	-	7C-9C	7A-90
-	-	-	-	-		-	-	79-10		-	-	79-8E	7F-90	-	-	-	-	7C-93	7A-91
-	-	-	-	-		-	-	79-1A		-	-	79-8F	7F-9A	-	-	-	-	7C-9D	7A-95
-	-	-	-	-		-	-	79-CB		-	-	-	7F-8A	-	-	-	-	7C-9E	7A-97
Learnable key (32 key x 11 modes + 4 common key)																		Fix	

RX-V1400/RX-V1400RDS/HTR-5690/DSP-AX1400

Parts List for Carbon Resistors

Value	1/4W Type Part No.	1/6W Type Part No.	Value	1/4W Type Part No.	1/6W Type Part No.
1.0 Ω	HJ35 3100	HF85 3100	10 kΩ	HF45 7100	HF45 7100
1.8 Ω	HJ35 3180	*	11 kΩ	HF45 7110	HF45 7110
2.2 Ω	HJ35 3220	HF85 3220	12 kΩ	HJ35 7120	HF85 7120
3.3 Ω	HJ35 3330	HF85 3330	13 kΩ	HF45 7130	HF45 7130
4.7 Ω	HJ35 3470	HF85 3470	15 kΩ	HF45 7150	HF45 7150
5.6 Ω	HJ35 3560	HF85 3560	18 kΩ	HF45 7180	HF45 7180
10 Ω	HF45 4100	HF45 4100	22 kΩ	HF45 7220	HF45 7220
15 Ω	HJ35 4150	HF85 4150	24 kΩ	HF45 7240	HF45 7240
22 Ω	HF45 4220	HF45 4220	27 kΩ	HJ35 7270	HF85 7270
27 Ω	HJ35 4270	HF85 4270	30 kΩ	HF45 7300	HF45 7300
33 Ω	HF45 4330	HF45 4330	33 kΩ	HF45 7330	HF45 7330
39 Ω	HJ35 4470	HF85 4390	36 kΩ	HF45 7360	HF45 7360
47 Ω	HF45 4470	HF45 4470	39 kΩ	HF45 7390	HF45 7390
56 Ω	HF45 4560	HF45 4560	47 kΩ	HF45 7470	HF45 7470
68 Ω	HF45 4680	HF45 4680	51 kΩ	HF45 7510	HF45 7510
75 Ω	HF45 4750	HF45 4750	56 kΩ	HF45 7560	HF45 7560
82 Ω	HF45 4820	HF45 4820	62 kΩ	HF45 7620	HF45 7620
91 Ω	HF45 4910	HF45 4910	68 kΩ	HF45 7680	HF45 7680
100 Ω	HF45 5100	HF45 5100	82 kΩ	HF45 7820	HF45 7820
110 Ω	HJ35 5110	HF85 5110	91 kΩ	HF45 7910	HF45 7910
120 Ω	HF45 5120	HF45 5120	100 kΩ	HF45 8100	HF45 8100
150 Ω	HF45 5150	HF45 5150	110 kΩ	HF45 8110	HF45 8110
160 Ω	HJ35 5160	*	120 kΩ	HF45 8120	HF45 8120
180 Ω	HF45 5180	HF45 5180	150 kΩ	HF45 8150	HF45 8150
200 Ω	HF45 5200	HF45 5200	180 kΩ	HF45 8180	HF45 8180
220 Ω	HF45 5220	HF45 5220	220 kΩ	HJ35 8220	HF85 8220
270 Ω	HF45 5270	HF45 5270	270 kΩ	HF45 8270	HF45 8270
330 Ω	HF45 5330	HF45 5330	300 kΩ	HF45 8300	HF45 8300
390 Ω	HF45 5390	HF45 5390	330 kΩ	HF45 8330	HF45 8330
430 Ω	HF45 5430	HF45 5430	390 kΩ	HJ35 8390	HF85 8390
470 Ω	HF45 5470	HF45 5470	470 kΩ	HF45 8470	HF45 8470
510 Ω	HF45 5510	HF45 5510	560 kΩ	HJ35 8560	HF85 8560
560 Ω	HF45 5560	HF45 5560	680 kΩ	HJ35 8680	HF85 8680
680 Ω	HF45 5680	HF45 5680	820 kΩ	HJ35 8820	HF85 8820
820 Ω	HF45 5820	HF45 5820	1.0 MΩ	HF45 9100	HF45 9100
910 Ω	HF45 5910	HF45 5910	1.2 MΩ	HJ35 9120	*
1.0 kΩ	HF45 6100	HF45 6100	1.5 MΩ	HJ35 9150	HF85 9150
1.2 kΩ	HF45 6120	HF45 6120	1.8 MΩ	HJ35 9180	HF85 9180
1.5 kΩ	HF45 6150	HF45 6150	2.2 MΩ	HJ35 9220	HF85 9220
1.8 kΩ	HF45 6180	HF45 6180	3.3 MΩ	HJ35 9330	HF85 9330
2.0 kΩ	HJ35 6200	HF85 6200	3.9 MΩ	HJ35 9390	*
2.2 kΩ	HF45 6220	HF45 6220	4.7 MΩ	HJ35 9470	HF85 9470
2.4 kΩ	HJ35 6240	HF85 6240			
2.7 kΩ	HF45 6270	HF45 6270			
3.0 kΩ	HF45 6300	HF45 6300			
3.3 kΩ	HF45 6330	HF45 6330			
3.6 kΩ	HJ35 6360	HF85 6360			
3.9 kΩ	HF45 6390	HF45 6390			
4.7 kΩ	HF45 6470	HF45 6470			
5.1 kΩ	HF45 6510	HF45 6510			
5.6 kΩ	HF45 6560	HF45 6560			
6.8 kΩ	HF45 6680	HF45 6680			
8.2 kΩ	HF45 6820	HF45 6820			
9.1 kΩ	HF45 6910	HF45 6910			



* : Not available

RX-V2400/RX-V2400RDS/DSP-AX2400
 RX-V1400/RX-V1400RDS/HTR-5690/DSP-AX1400